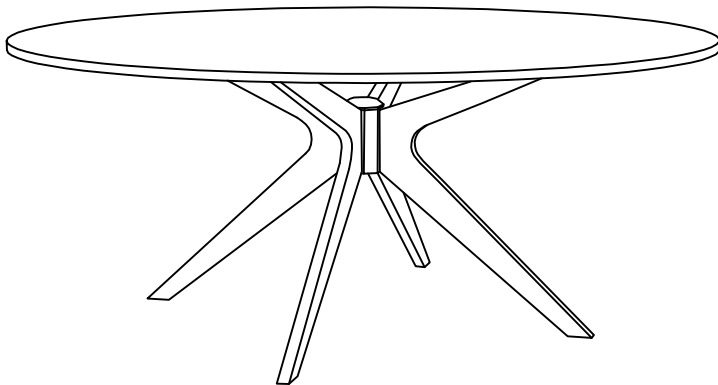


EEI-3848 / 3849 TABLE

Thank you for purchasing the **MODWAY TABLE!**

Before you start, here are some helpful advice:

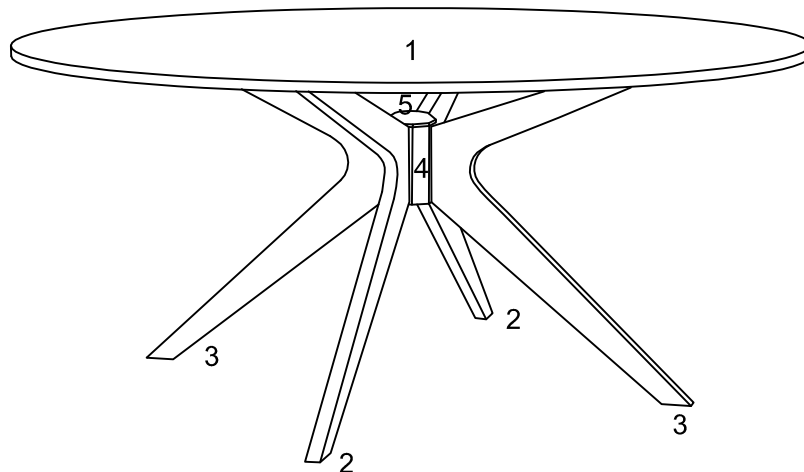
1. We suggest you spend a short time reading through this leaflet and then follow the simple step-by-step instructions.
2. Owing to the size and weight of the table, we recommend that it is assembled by two adults, on a carpeted or padded area, in the room that it is intended for. Approximate assembly time: 30 minutes.
3. Please do not use any tools other than those provided or recommended in these instructions.
4. Please do not throw away any of the packaging or the instruction until you have checked all the components and hardware and the furniture is fully assembled. Please ensure that the packaging is disposed of in a safe and environmentally friendly way.
5. Assemble all components loosely until advised to tighten. Depending on use, it may be necessary to tighten the components from time to time, so please save the tools that have been provided.
6. Please keep all fitting out of reach of children.



Hardware:

A		Bolt M6 x70mm	x 4
B		Flat Washer M6	x 4
C		Flat Washer M8	x 8
D		Spring Washer M8	x 8
E		Hex Nut M8	x 8
F		Screw M4 x 32mm	x 4
G		Spanner 80mm	x 1
H		Allen Key With Ball	x 1
I		Adjuster	x 4

Components:

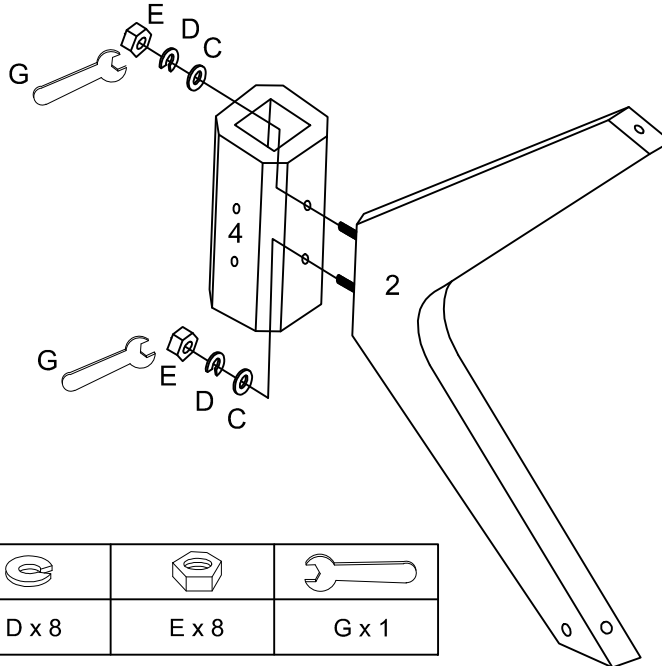


- 1 Table Top x 1 2 Table Leg(Short) x 2 3 Table Leg(Long) x 2 4 Pedestal x 1 5 Pedestal Cover x 1

EEI-3848 / 3849 TABLE

STEP 1

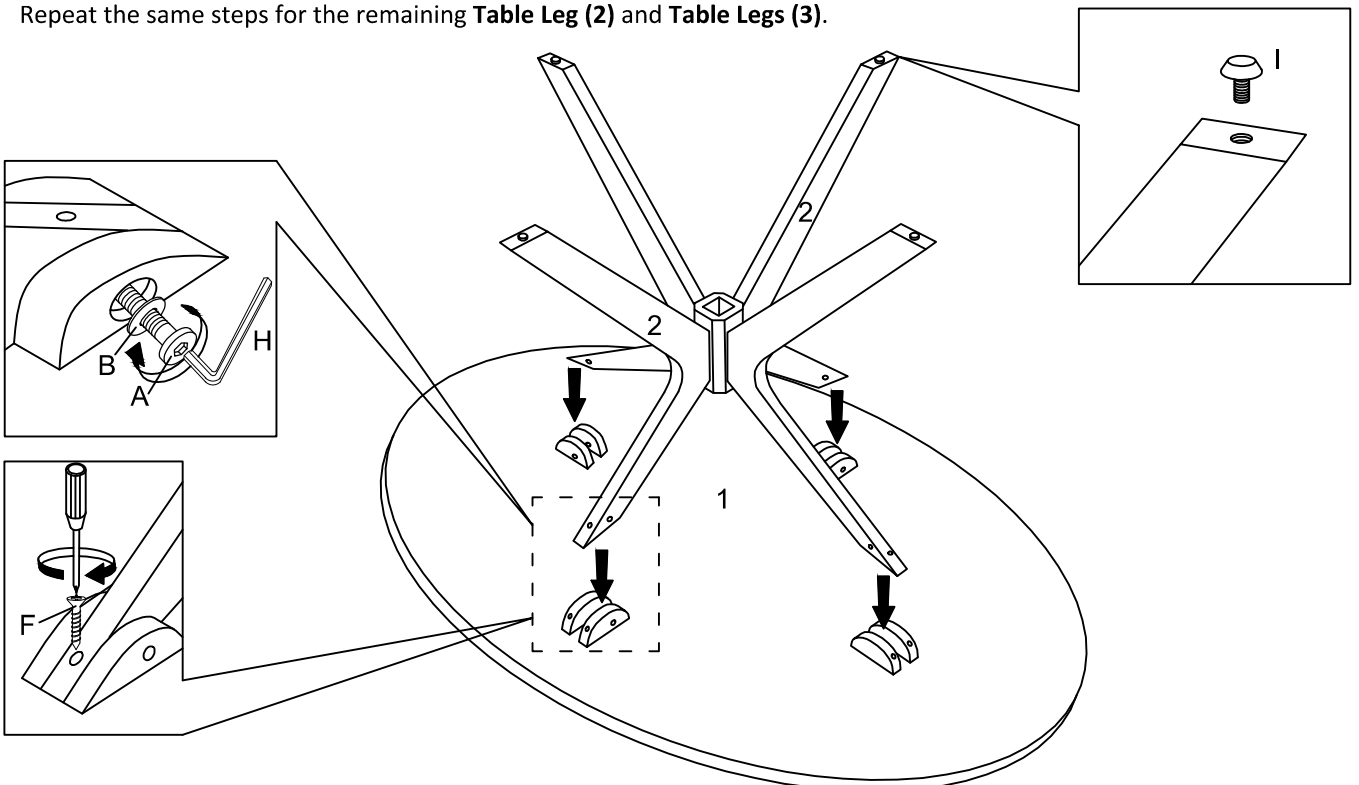
Please position 1 piece of **Table Leg (2)** to the **Pedestal (4)** as shown. Screw up the Table Leg with 1 piece of **Flat Washer (C)**, 1 piece of **Spring Washer (D)** and 1 piece of **Hex Nut (E)** into the holes on the **Table Leg (2)** through the holes on **Pedestal (4)**. Use **Allen Key (H)** to tighten (C), (D) and (E) clockwise until secure. Repeat the same steps for the remaining **Table Leg (2)** and **Table Legs (3)**.



Hardware & Tool required

STEP 2

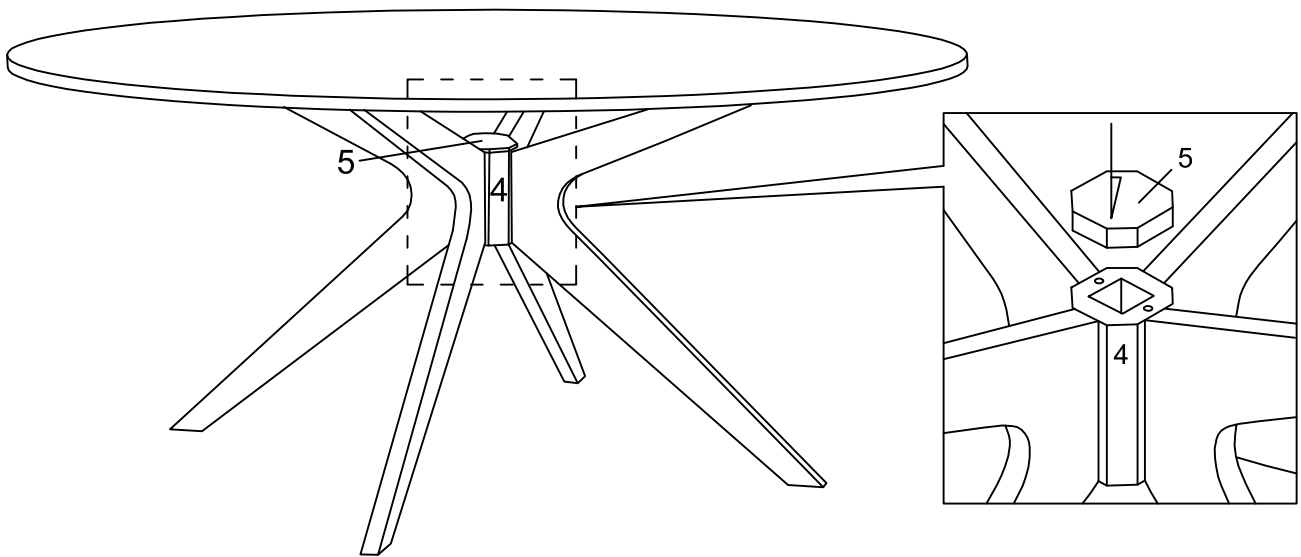
Please put **Table Top (1)** upside down on a carpeted or padded area. Position 1 piece of **Table Leg (2)** to the bottom of **Table Top (1)** as shown. Insert 1 piece of **Screw (F)** into the hole on the bottom of **Table Leg (2)** through the wood blocks on **Table Top (1)**, and insert 1 piece of **Bolt (A)** with 1 piece of **Flat Washer (B)** into the side hole on the bottom of the **Table Leg (2)**. Use **Allen Key (H)** to tighten **Bolt (A)** clockwise until secure. Insert **Adjuster (I)** into the holes on the bottom of **Table Leg (2)** as shown. Repeat the same steps for the remaining **Table Leg (2)** and **Table Legs (3)**.



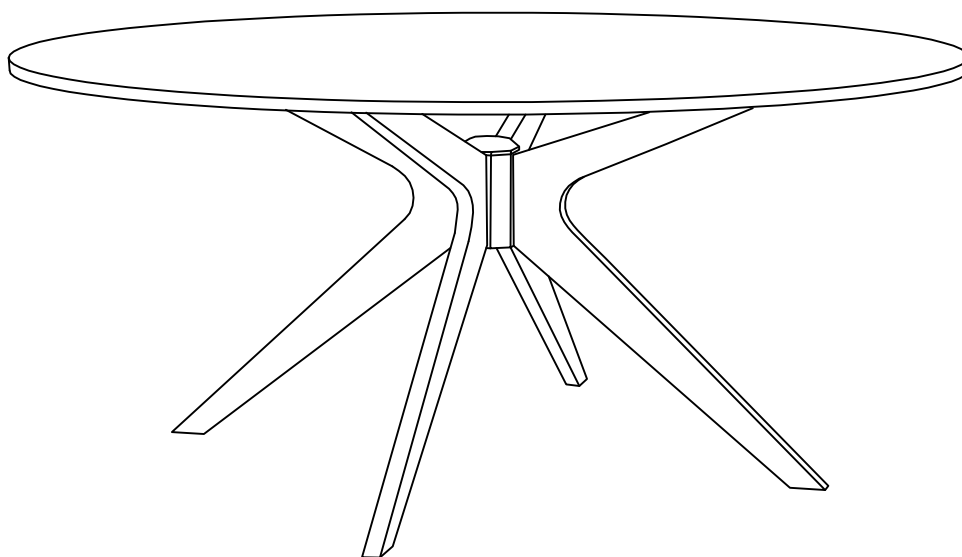
Hardware & Tool required

EEI-3848 / 3849 TABLE**STEP 3**

Please position the **Pedestal Cover (5)** to the **Pedestal (4)** as shown.

**STEP 4**

Carefully turn over the assembled table.



Assembly is complete. Your table is ready to be used now!