

# EEI-3861 DESK

Thank you for purchasing the **MODWAY Desk**!

Before you start, here are some helpful advice:

1. We suggest you spend a short time reading through this leaflet and then follow the simple step-by-step instructions.
2. Owing to the size and weight of the Desk, we recommend that it is assembled by two adults, on a carpeted or padded area, in the room that it is intended for. Approximate assembly time: 30 minutes.
3. Please do not use any tools other than those provided or recommended in these instructions.
4. Please do not throw away any of the packaging or the instruction until you have checked all the components and hardware and the furniture is fully assembled. Please ensure that the packaging is disposed of in a safe and environmentally friendly way.
5. Assemble all components loosely until advised to tighten. Depending on use, it may be necessary to tighten the components from time to time, so please save the tools that have been provided.
6. Please keep all the pieces out of reach of children.



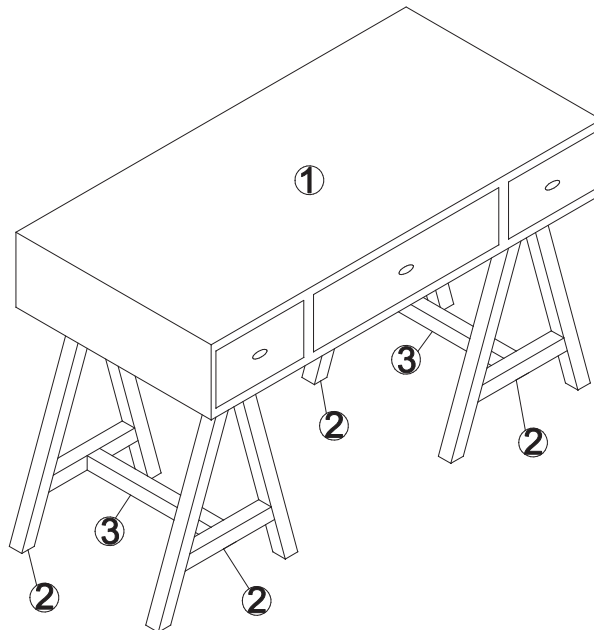
### Hardware:

- A. Bolt M6x20mm x24
- B. Flat Washer x24
- C. Spring Washer x24
- D. Allen Wrench M6 x1
- E. Bolt M4x18mm x6
- F. Handle x3

- G. Screw driver x1

**\* Not included**

### Components:



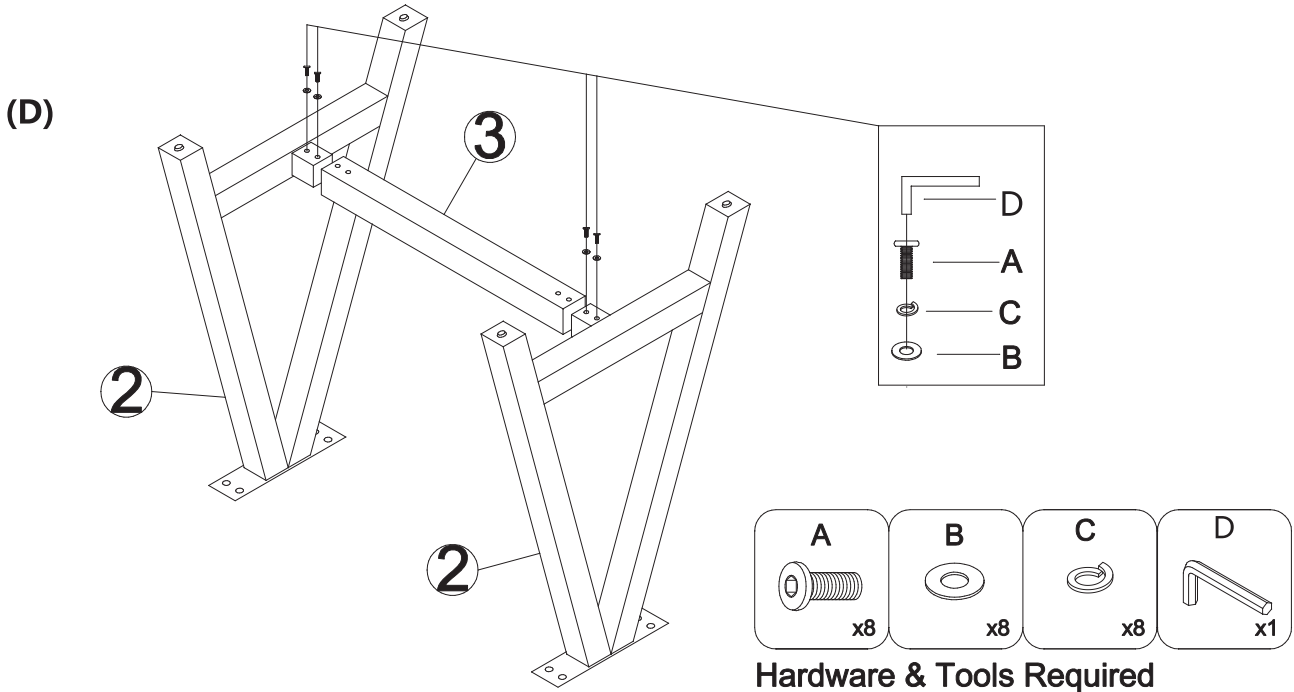
1. Desk Top x1

2. Desk Leg x4

3. Leg Central Rail x2

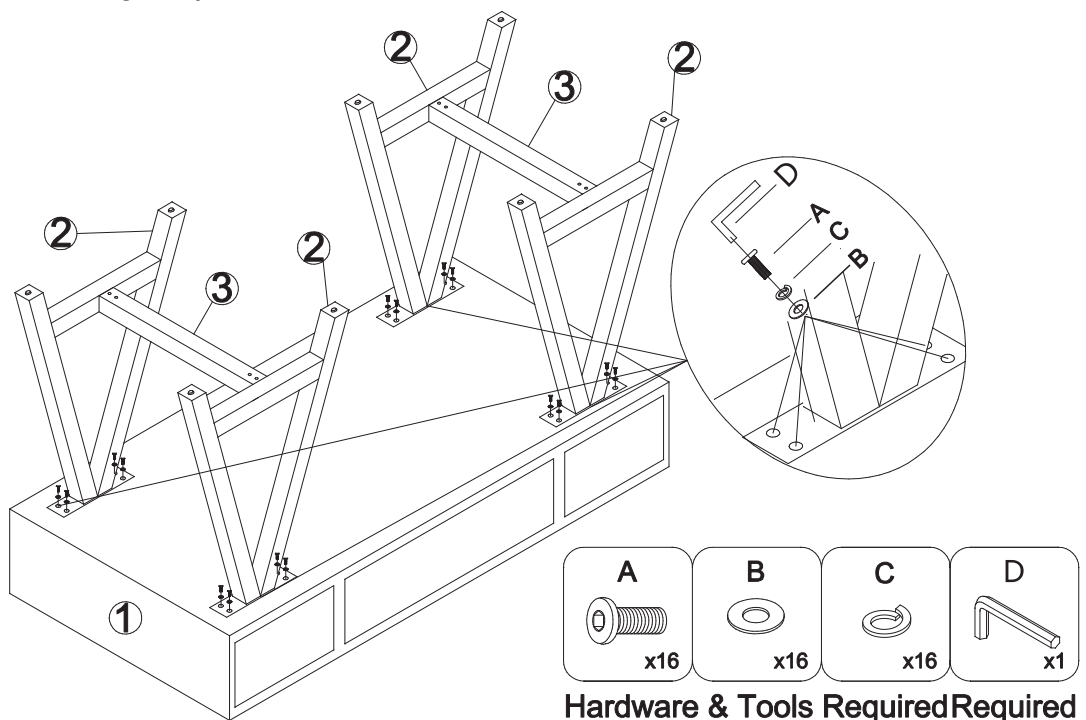
**STEP 1:**

1. Attach 1 piece of **Leg Central Rail (3)** to 2 pieces of **Desk Legs (2)** by using 4 pieces of **Bolts (A)**, 4 pieces of **Spring Washers (C)** and 4 pieces of **Flat Washers (B)** as shown.
2. Use **Allen Wrench (D)** to tighten 4 pieces of **Bolts (A)** as shown. Don't fully tight the **Bolts (A)**.
3. Repeat the same step for the other 1 piece of **Leg Central Rail (3)** and 2 pieces of **Desk Legs (2)**.



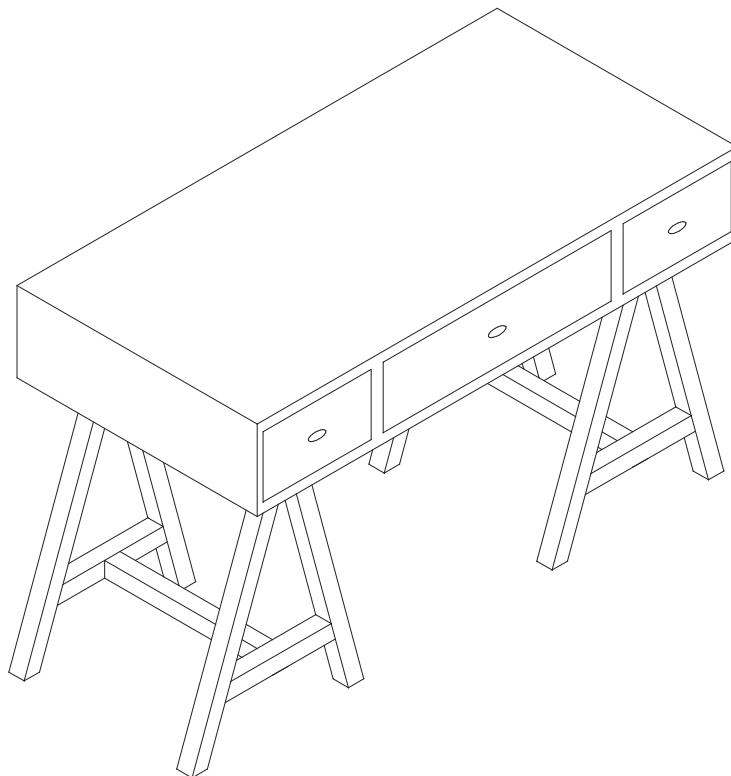
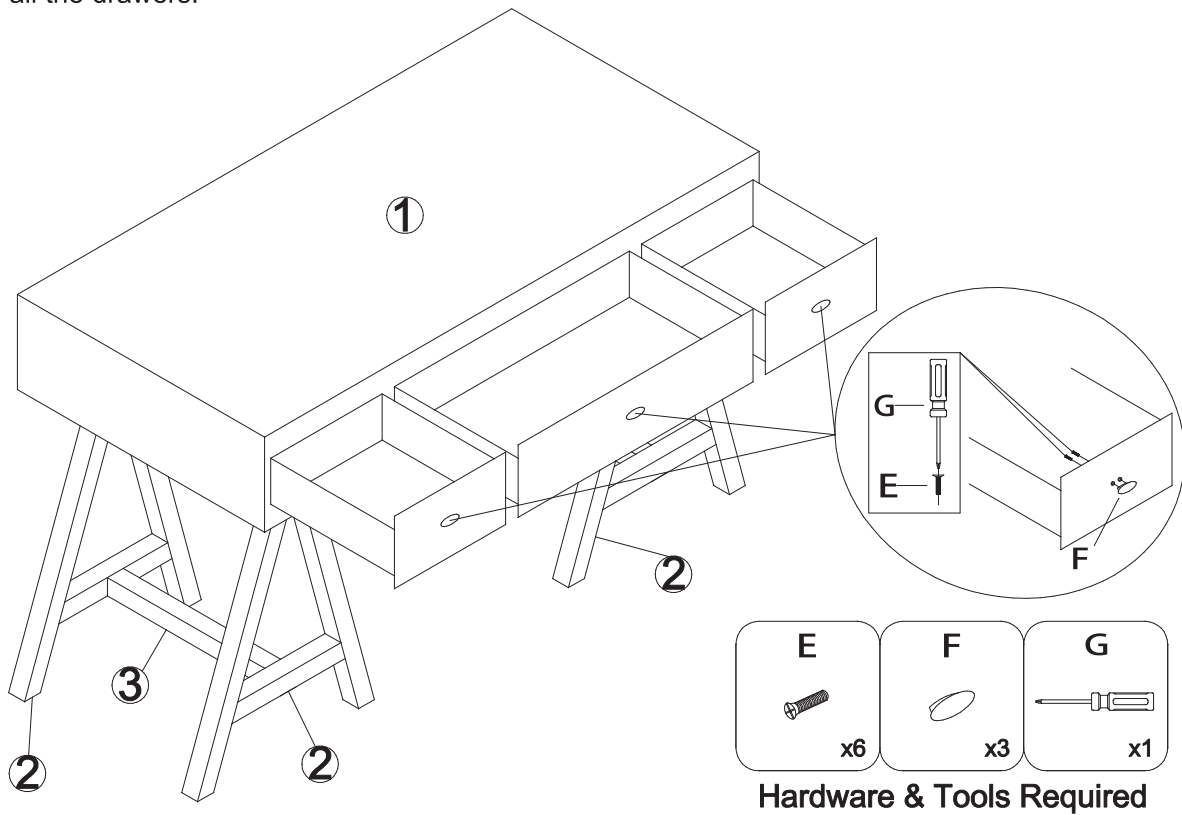
**STEP 2:**

1. Please put **Desk Top (1)** upside down on a carpeted or padded surface.
2. Attach 2 pieces of **Desk Leg (2)** to the **Desk Top (1)** by using 16 pieces of **Bolts (A)**, 16 pieces of **Spring Washers (C)** and 16 pieces of **Flat Washers (B)** as shown.
3. Use **Allen Wrench(D)** to tighten **Bolts (A)** as shown. Don't fully tight the **Bolts (A)**.
4. When all components are fixed, please fully tighten all the **Bolts (A)**.
5. The adjustable foot, height adjustable levelers



**STEP 3:**

1. Carefully turn over the assembled Desk by two adults.
2. Open drawers and Attached 3 pieces of **Handles (F)** to the drawers by using 6 pieces of **Bolts (E)** as shown.
3. Use **Screw driver (G)** to tighten **Bolts (E)** clockwise as shown.
4. Close all the drawers.



Assembly is complete. Your Desk is ready to enjoy now!