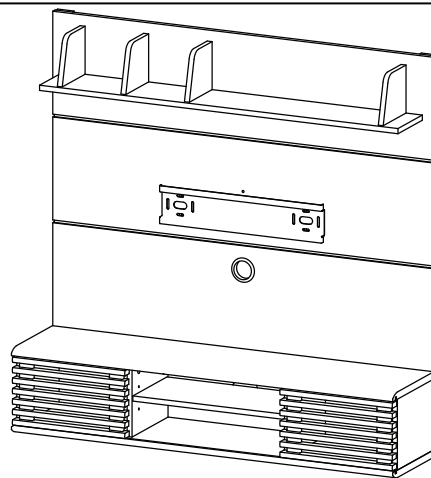


# EEI-3864 TV STAND

Thank you for purchasing the **MODWAY TV STAND** !

Before you start, here are some helpful advice:

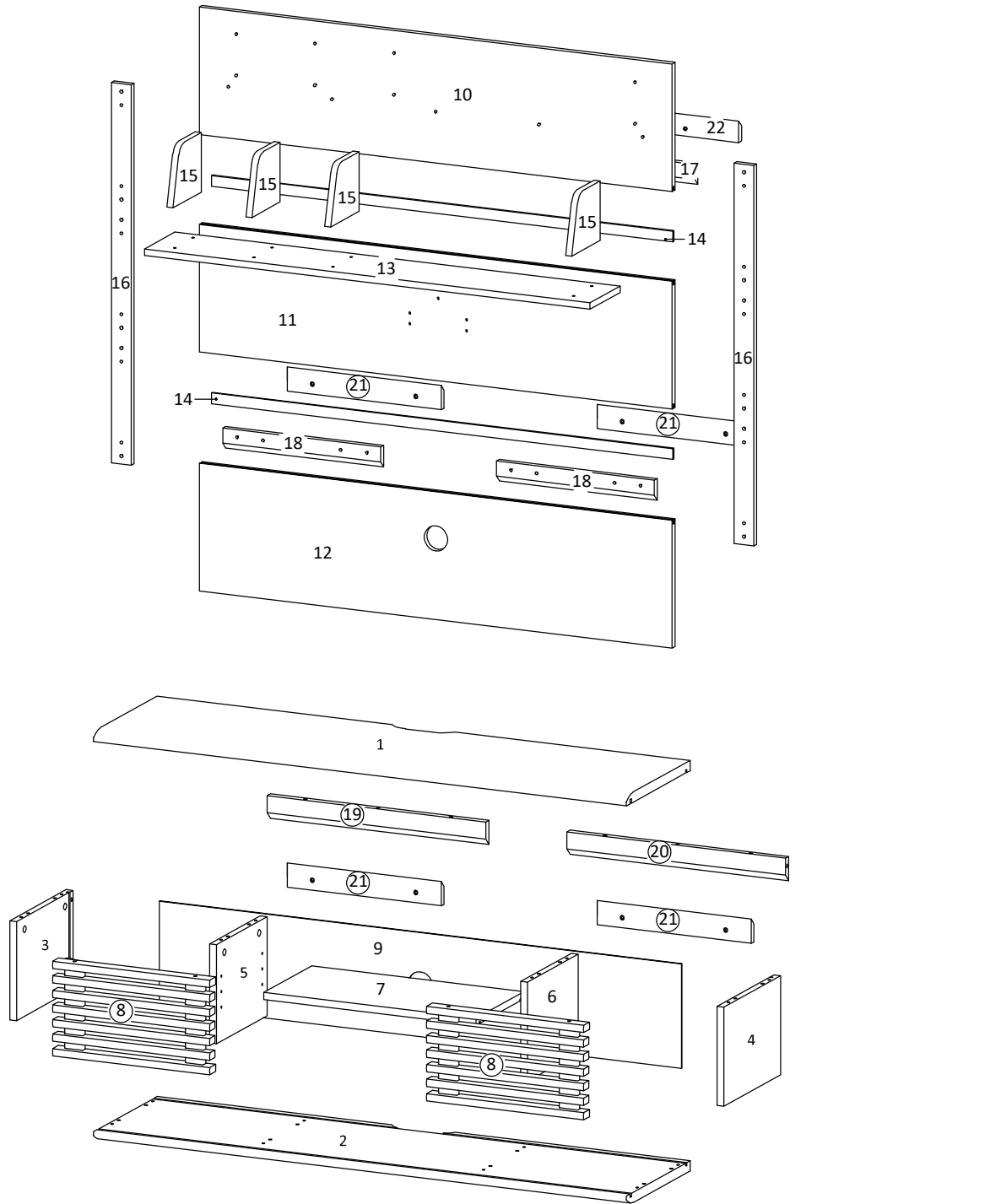
1. We suggest you spend a short time reading through this leaflet and then follow the simple step-by-step instructions.
2. Owing to the size and weight of the TV Stand, we recommend that it is assembled by two adults, on a carpeted or padded area, in the room that it is intended for. Approximate assembly time: 120 minutes.
3. Please do not use any tools other than those provided or recommended in these instructions.
4. Please do not throw away any of the packaging or instructions until you have checked all the components and hardware and the furniture is fully assembled.
5. Assemble all components loosely until advised to tighten. Depending on use, it may be necessary to tighten the components from time to time, so please save the tools that have been provided.
6. Please keep all pieces out of reach of children.



## Hardware :

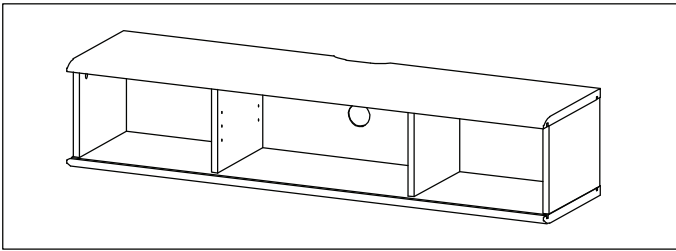
<b>A) Cambolt/Metal</b>  $\varnothing 6 \times 35 \text{ mm}$ x 12	<b>B) CamLock/Metal</b>  $\varnothing 15 \text{ mm}$ x 12	<b>C) Dowel Big/Wood</b>  $\varnothing 8 \times 30 \text{ mm}$ x 34	<b>D) Dowel Small/Wood</b>  $\varnothing 8 \times 20 \text{ mm}$ x 22	<b>E) Screw/Metal</b>  $M 7 \times 50 \text{ mm}$ x 19												
<b>F) Hex /Allen Key/Metal</b>  L 4 x 1	<b>G) Pin Sliding Top/Plastic</b>  $\varnothing 8 \times 19 \text{ mm}$ x 4	<b>H) Pin Sliding Bottom/Plastic</b>  $\varnothing 8 \times 16 \text{ mm}$ x 4	<b>I) Stopper/Plastic</b>  $42 \times 14 \times 8 \text{ mm}$ x 2	<b>J) Buffer/Rubber</b>  $\varnothing 8 \text{ mm}$ x 1												
<b>K) Screw/Metal</b>  $M 6.4 \times 25 \text{ mm}$ x 20	<b>L) Screw/Metal</b>  $M 6 \times 10.5 \text{ mm}$ x 16	<b>M) Plate/Metal</b>  $80 \times 90 \text{ mm}$ x 4	<b>N) Shelf Pin/Metal</b>  $\varnothing 5 \times 15 \text{ mm}$ x 4	<b>O) Screw/Metal</b>  $M 12 \times 45 \text{ mm}$ x 13												
<b>P) Wall plug</b>  5002 x 14	<b>Q) Grommet Hole Cover/Plastic</b>  x 1	<b>R) Bracket Set/Metal</b>  x 1	<b>S) Screw/Metal</b>  $M 6 \times 15 \text{ mm}$ x 4	<b>T) Screw/Metal</b>  $M 12 \times 55 \text{ mm}$ x 1												
<b>U) Screwdriver (Not Include)</b>  x 1	<table border="1"> <thead> <tr> <th colspan="4">R (BRACKET SET)</th> </tr> </thead> <tbody> <tr> <td> <b>R1) Bracket/Metal</b>                        x 1                 </td> <td> <b>R2) Bracket/Metal</b>                        x 1                 </td> <td> <b>R3) Screw/Metal</b>    <math>M 6 \times 45 \text{ mm}</math> x 2                 </td> <td> <b>R4) Washer/Metal</b>                        x 4                 </td> </tr> <tr> <td> <b>R5) Grommet/Metal</b>    <math>\varnothing 16 \text{ mm}</math> x 4                 </td> <td> <b>R6) Grommet/Metal</b>    <math>\varnothing 16 \text{ mm}</math> x 4                 </td> <td> <b>R7) Screw/Metal</b>    <math>M 6 \times 30 \text{ mm}</math> x 4                 </td> <td> <b>R8) Screw/Metal</b>    <math>M 8 \times 30 \text{ mm}</math> x 4                 </td> </tr> </tbody> </table>				R (BRACKET SET)				<b>R1) Bracket/Metal</b>  x 1	<b>R2) Bracket/Metal</b>  x 1	<b>R3) Screw/Metal</b>  $M 6 \times 45 \text{ mm}$ x 2	<b>R4) Washer/Metal</b>  x 4	<b>R5) Grommet/Metal</b>  $\varnothing 16 \text{ mm}$ x 4	<b>R6) Grommet/Metal</b>  $\varnothing 16 \text{ mm}$ x 4	<b>R7) Screw/Metal</b>  $M 6 \times 30 \text{ mm}$ x 4	<b>R8) Screw/Metal</b>  $M 8 \times 30 \text{ mm}$ x 4
R (BRACKET SET)																
<b>R1) Bracket/Metal</b>  x 1	<b>R2) Bracket/Metal</b>  x 1	<b>R3) Screw/Metal</b>  $M 6 \times 45 \text{ mm}$ x 2	<b>R4) Washer/Metal</b>  x 4													
<b>R5) Grommet/Metal</b>  $\varnothing 16 \text{ mm}$ x 4	<b>R6) Grommet/Metal</b>  $\varnothing 16 \text{ mm}$ x 4	<b>R7) Screw/Metal</b>  $M 6 \times 30 \text{ mm}$ x 4	<b>R8) Screw/Metal</b>  $M 8 \times 30 \text{ mm}$ x 4													
<b>V) Waterpass (Not Include)</b>  x 1																
<b>W) Drill (Not Include)</b>  x 1																

## Components:

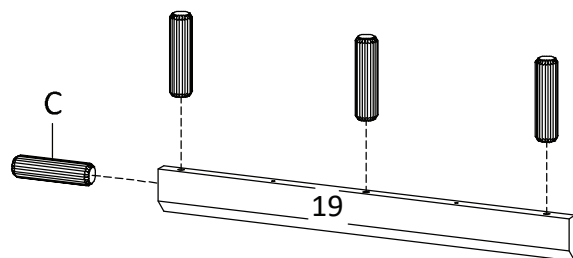
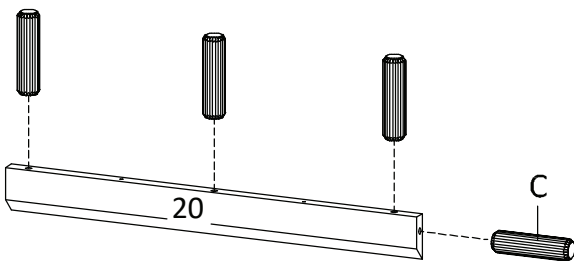
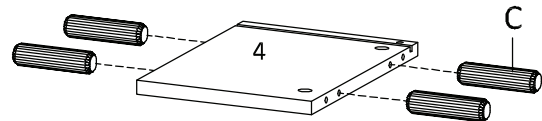
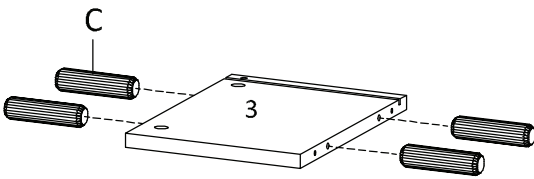
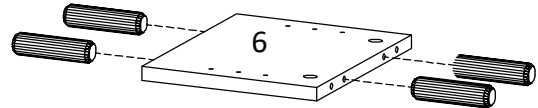
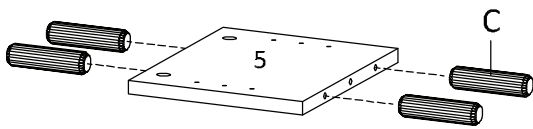
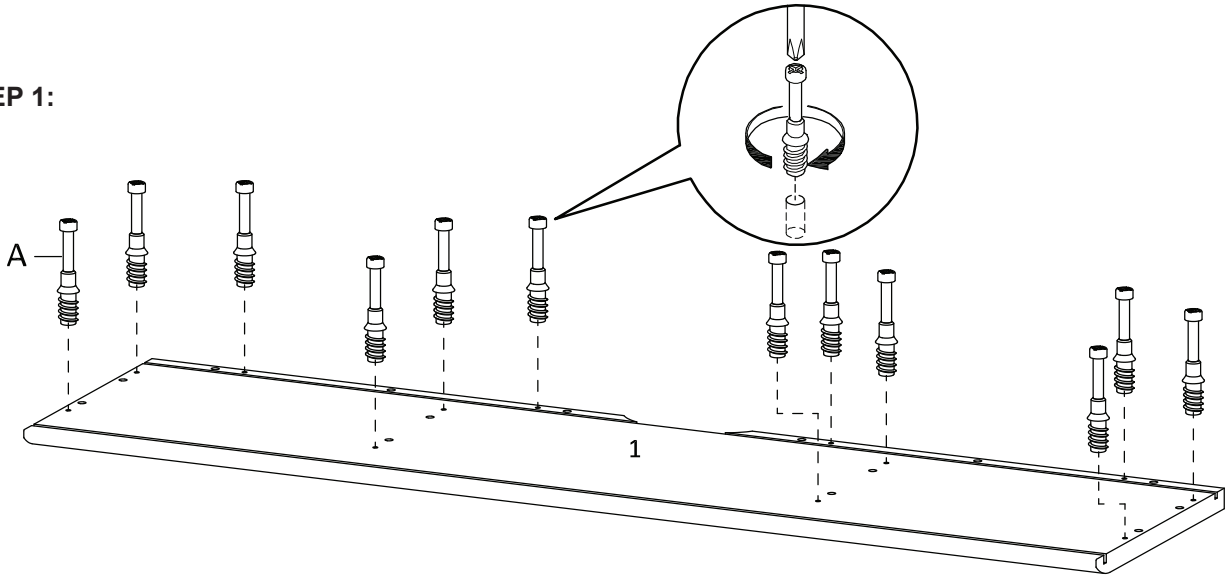


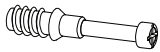
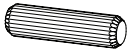
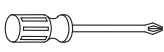
1	Top Board	x1	2	Bottom Board	x1	3	Side Board Left	x1	4	Side Board Right	x1
5	Centre Board Left	x1	6	Centre Board Right	x1	7	Adjustable Shelf	x1	8	Frame Door	x2
9	Back Board	x1	10	Wall Panel 1	x1	11	Wall Panel 2	x1	12	Wall Panel 3	x1
13	Centre Board Top	x4	14	Mdf Support	x2	15	Centre Board Top	x4	16	Support Wall Panel 1	x2
17	Support Wall Panel 2	x1	18	Support Wall Panel 3	x2	19	Support Wall Panel 4	x1	20	Support Wall Panel 5	x1
21	Support Wall Panel 6	x4	22	Support Wall Panel 7	x1						

**PART 1 : ASSEMBLE BASE UNIT**



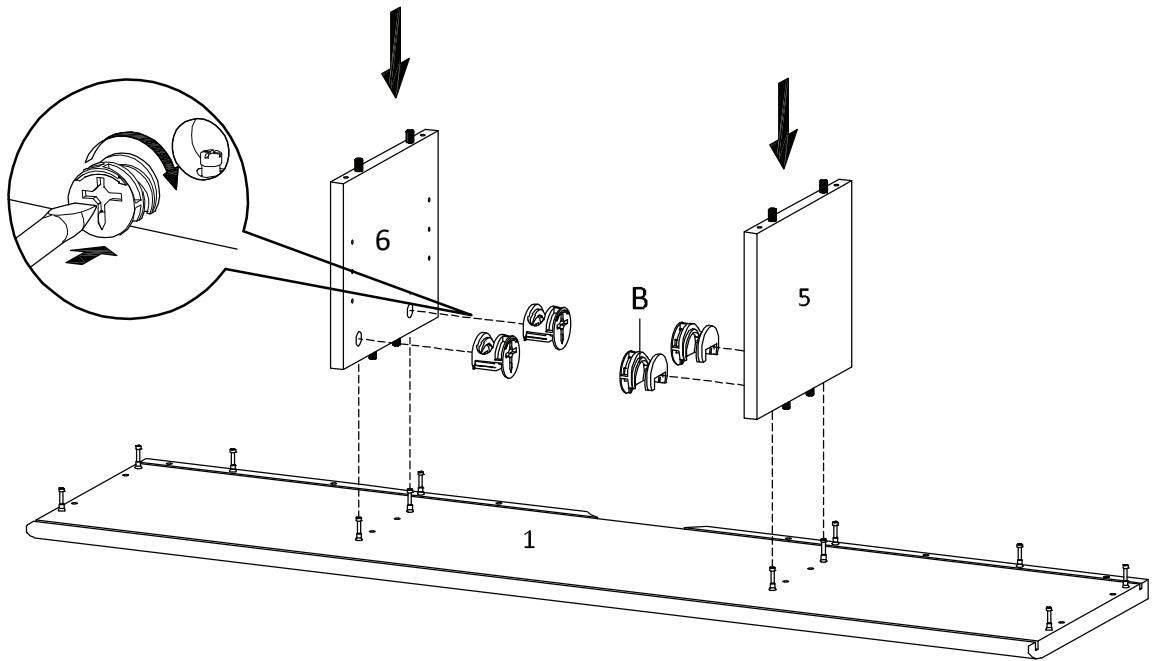
**STEP 1:**


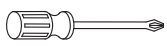


		
Ax12	Cx24	Ux1

Hardware required.  
Screwdriver not included

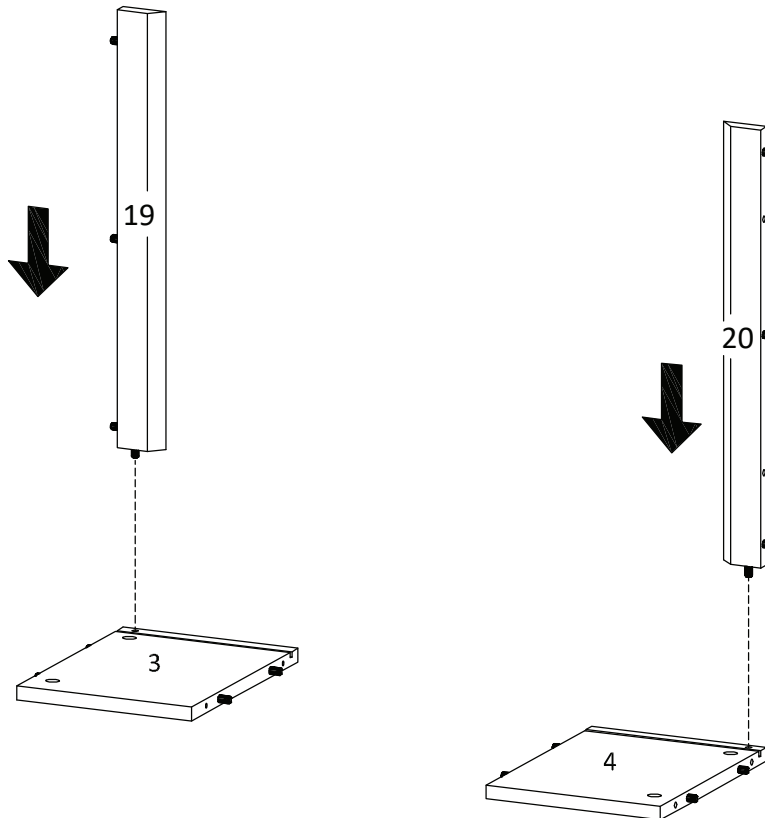
STEP 2:



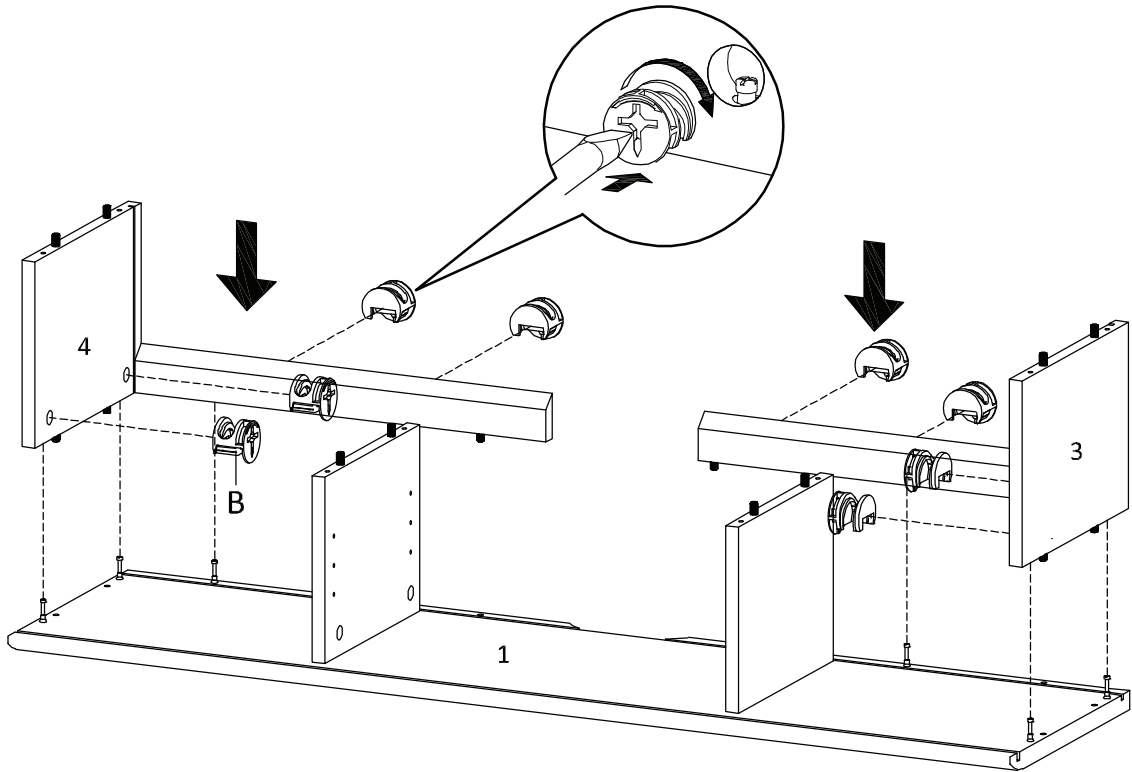
	
Bx4	Ux1


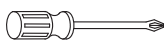
Hardware required.  
Screwdriver not included

STEP 3:



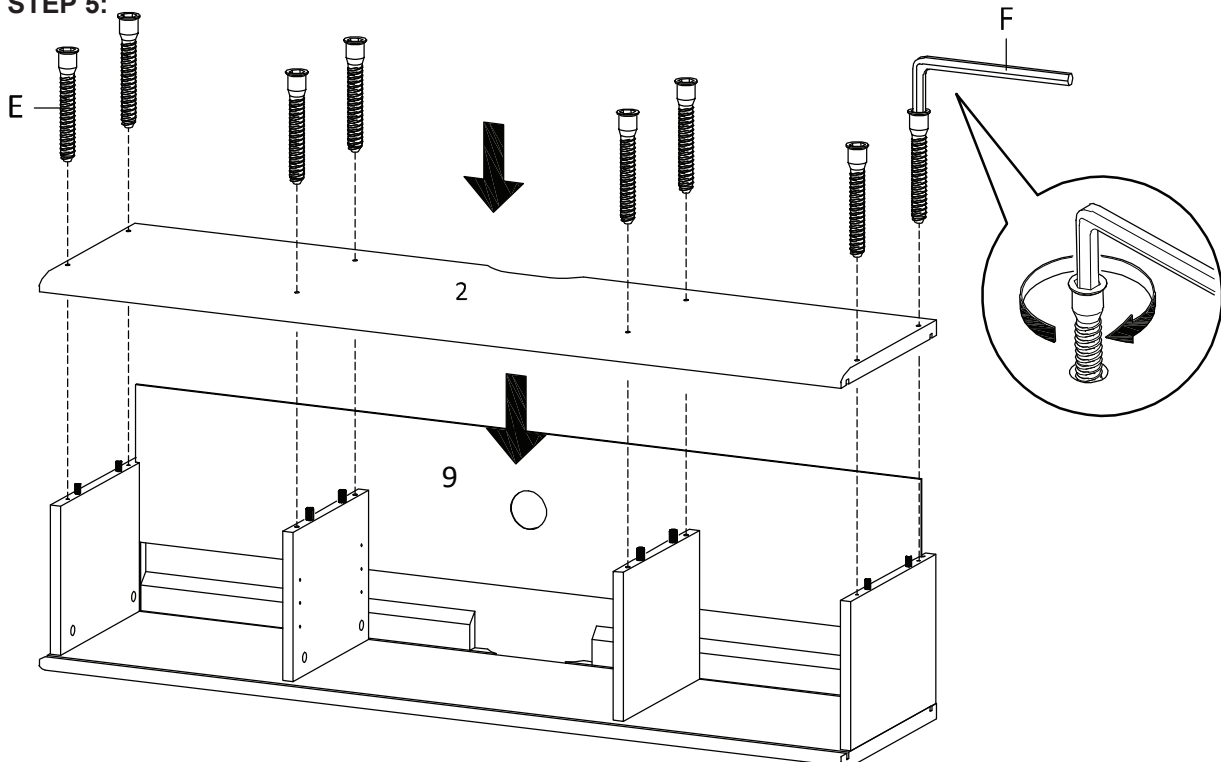
## STEP 4:





	
Bx8	Ux1

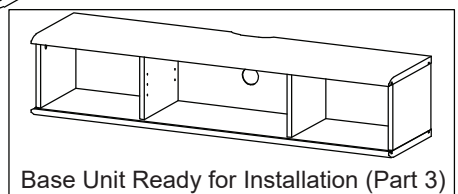
Hardware required.  
Screwdriver not included

## STEP 5:

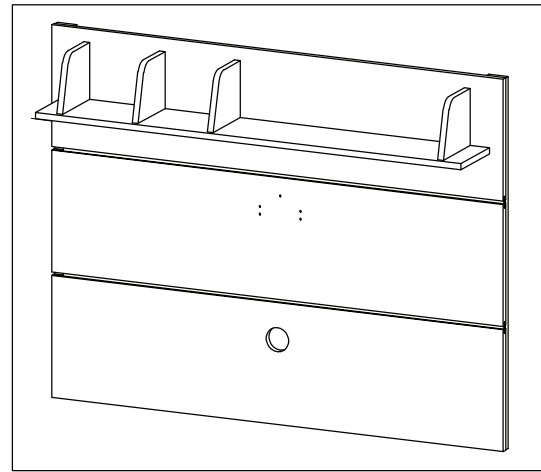


	
Ex8	Fx1

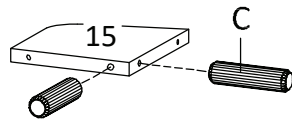
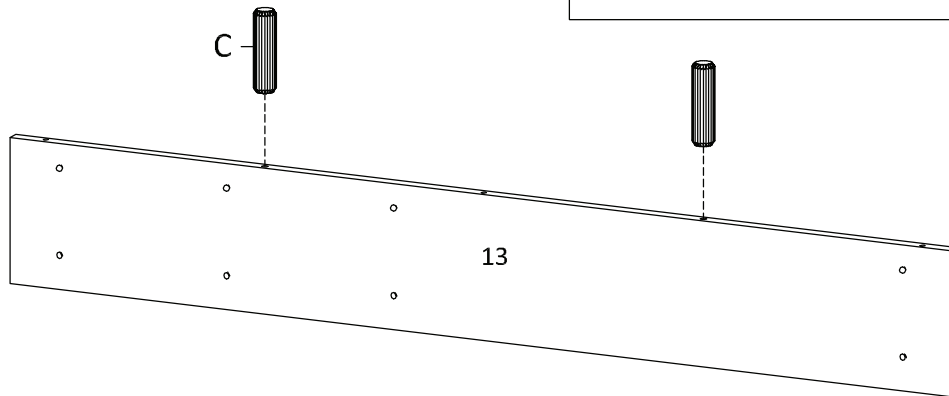
Hardware required.



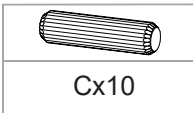
**PART 2 : ASSEMBLE WALL UNIT**



**STEP 6:**



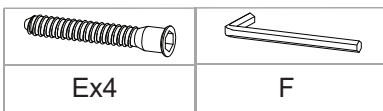
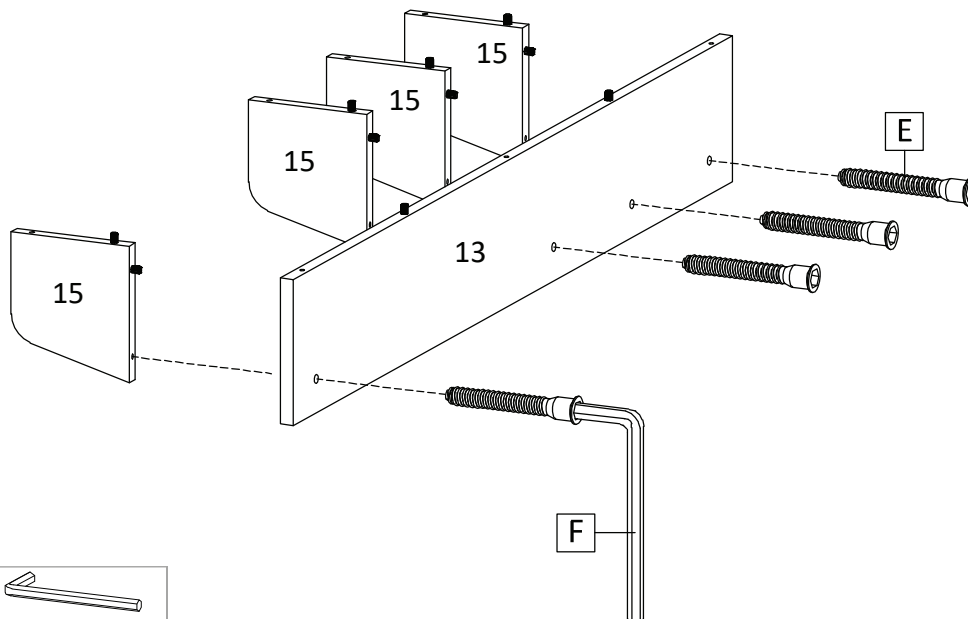
**x 4**



Cx10

Hardware required.

**STEP 7:**

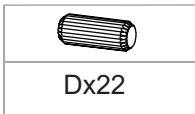
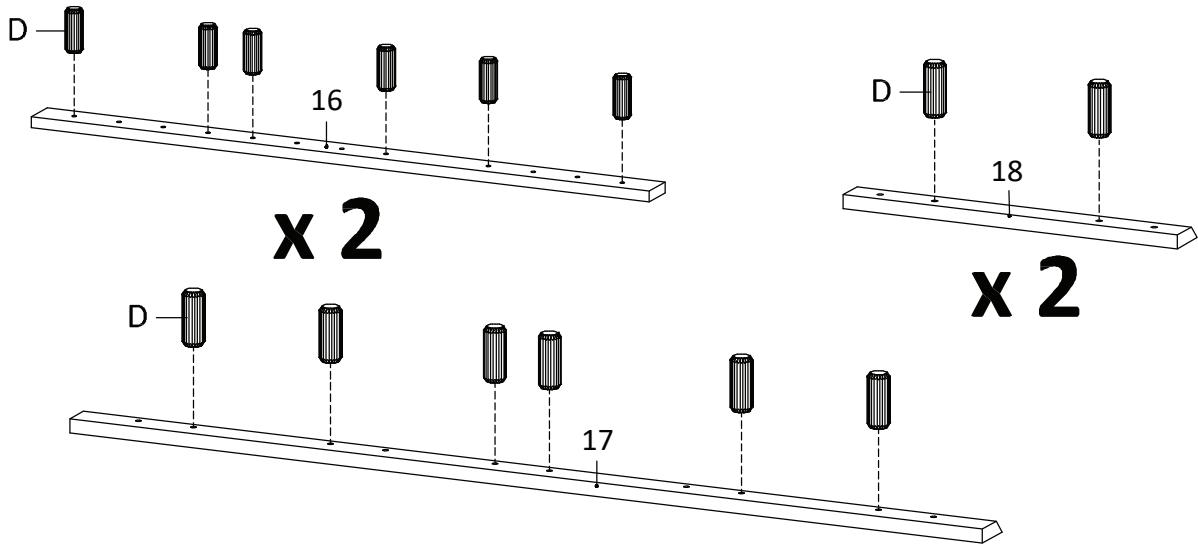


Ex4

F

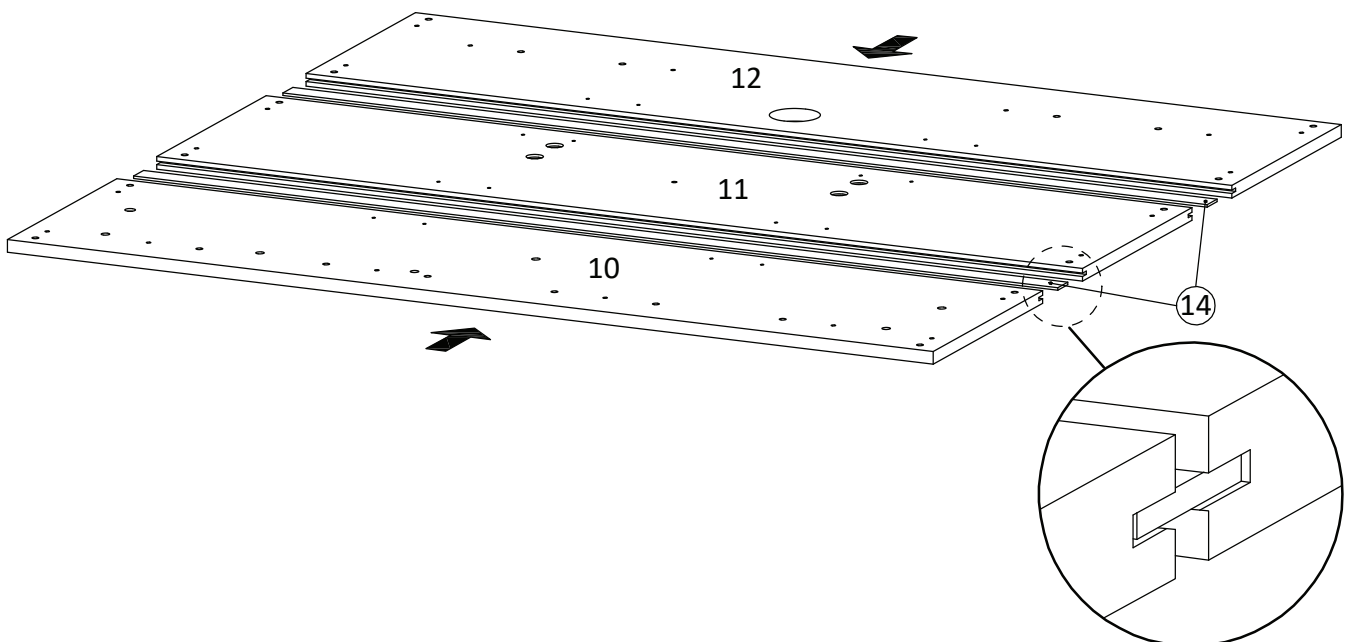
Hardware required.

STEP 8:

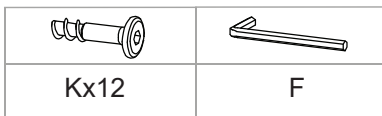
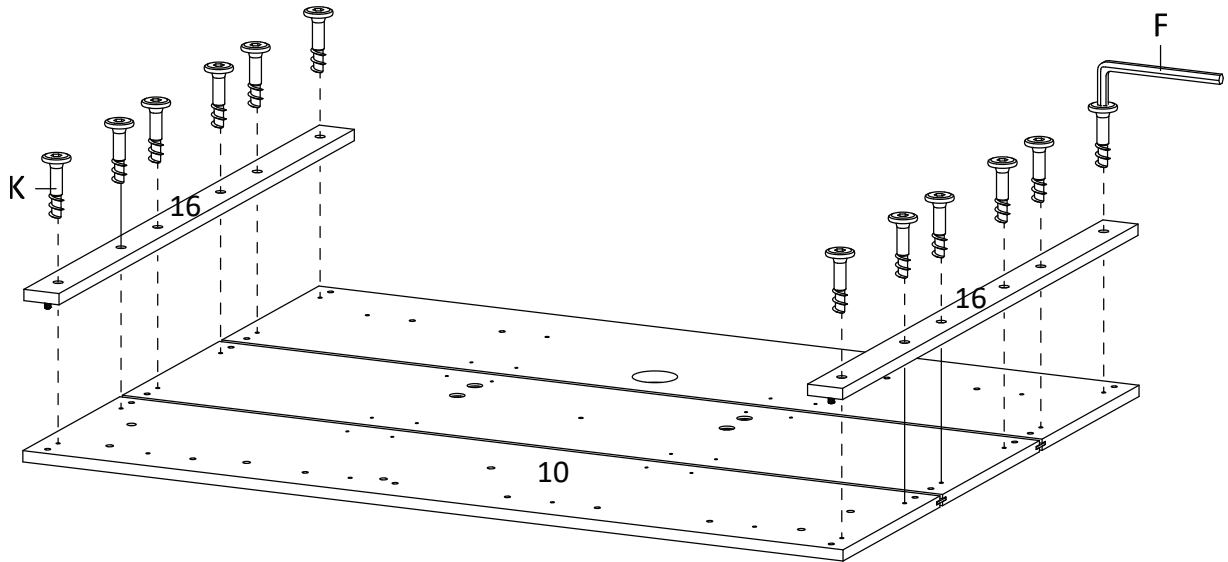


Hardware required.

STEP 9:

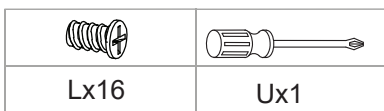
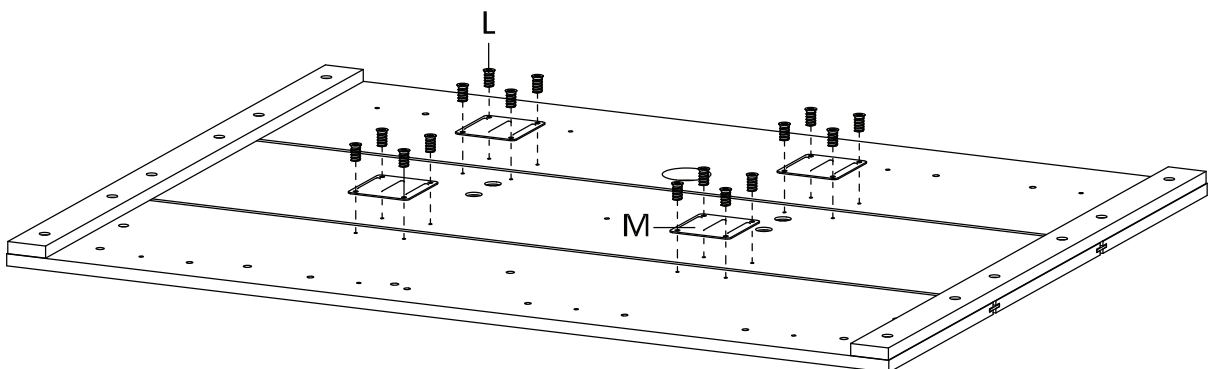


## STEP 10:



Hardware required.

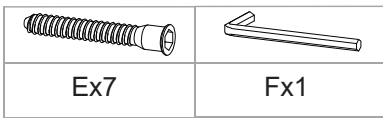
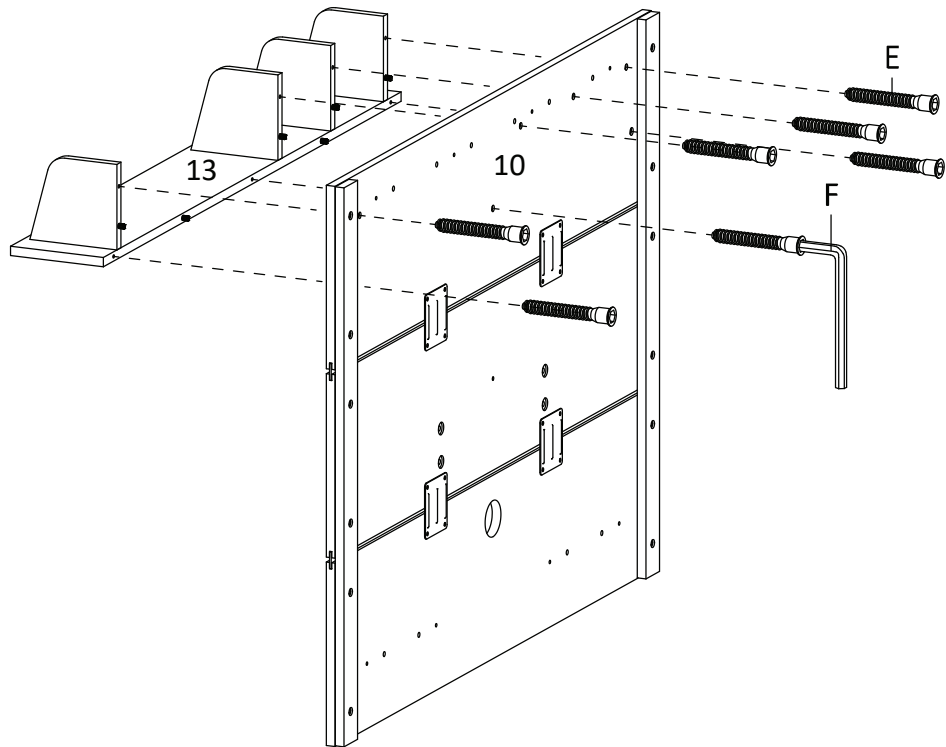
## STEP 11:



Hardware required.  
Screwdriver not included

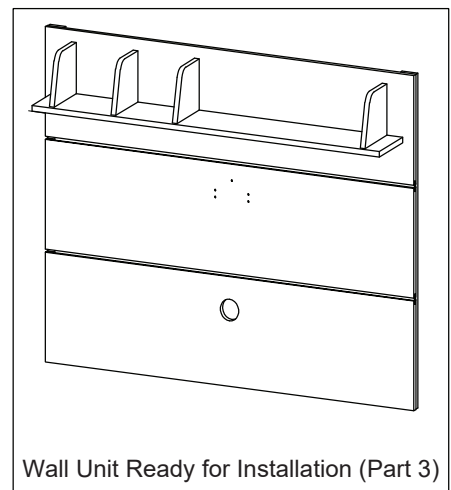
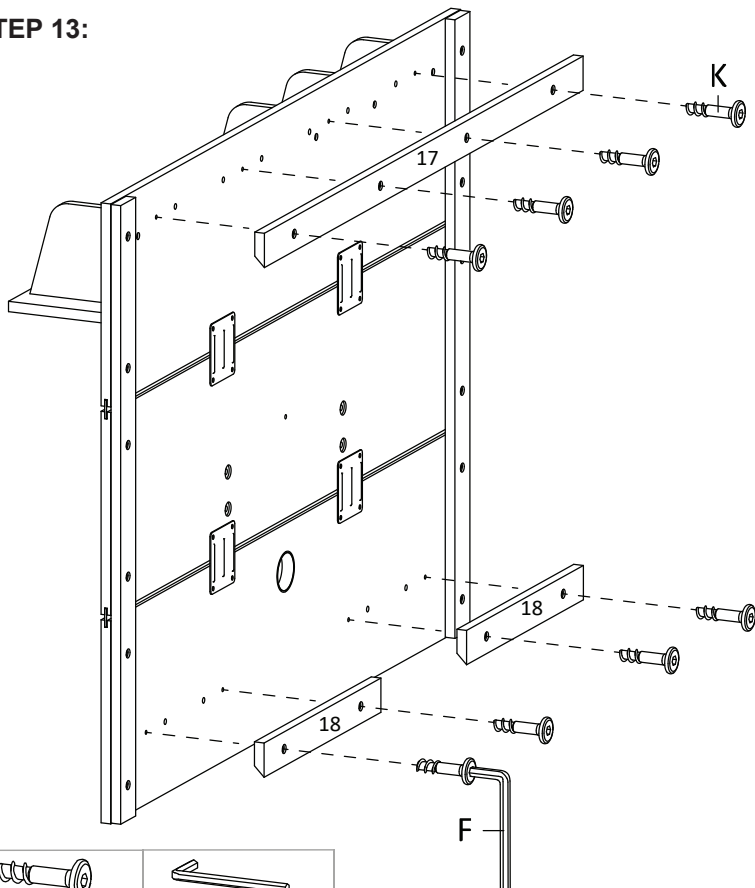


## STEP 12:

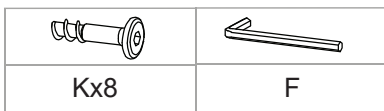


Hardware required.

## STEP 13:



Wall Unit Ready for Installation (Part 3)



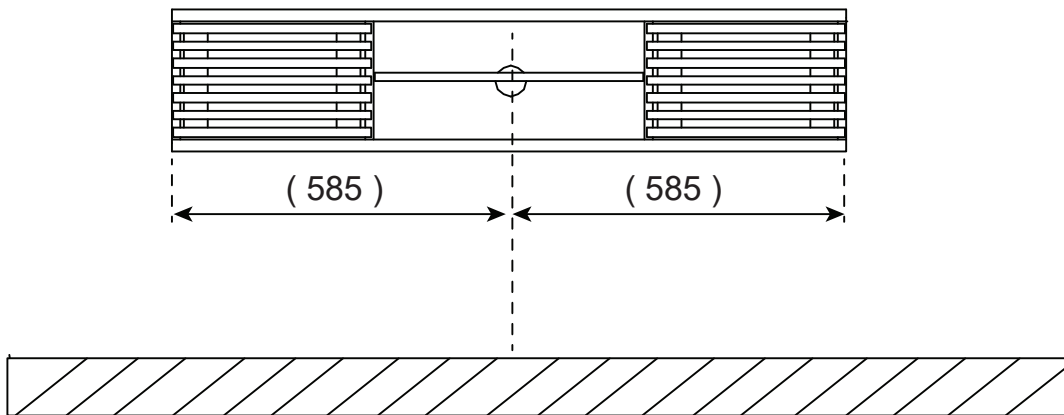
Hardware required.  
Screwdriver not included

**PART 3 : Preparations for mounting items to the wall**

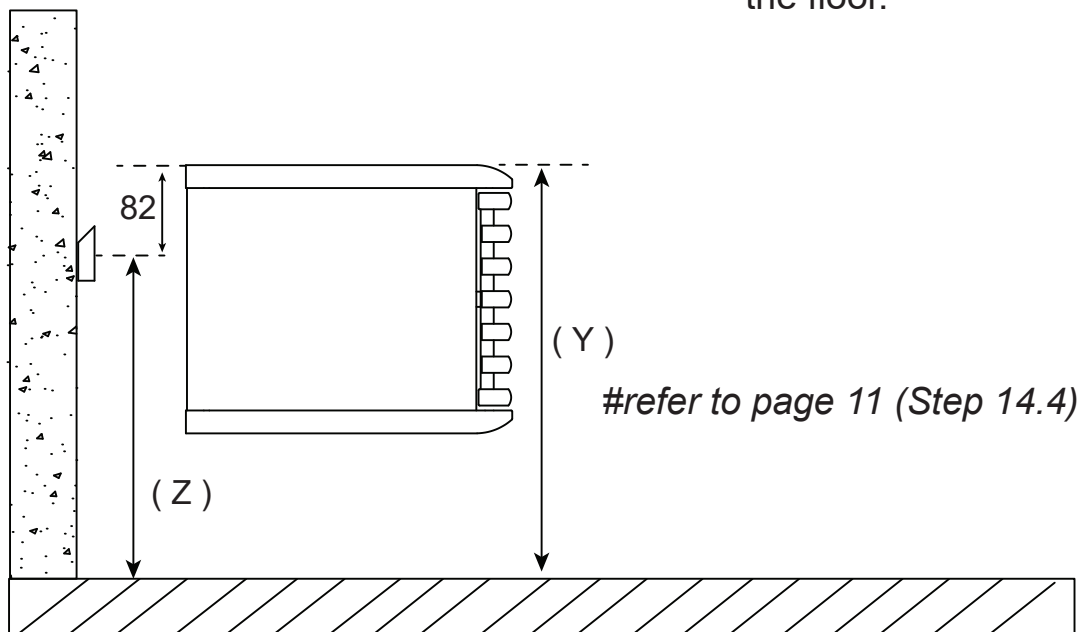
STEP 14:

14.1. Determine your Base Unit center position on the wall (X).  
It's 585 mm from the edge of Base unit.

\*Unit in millimeter (mm)



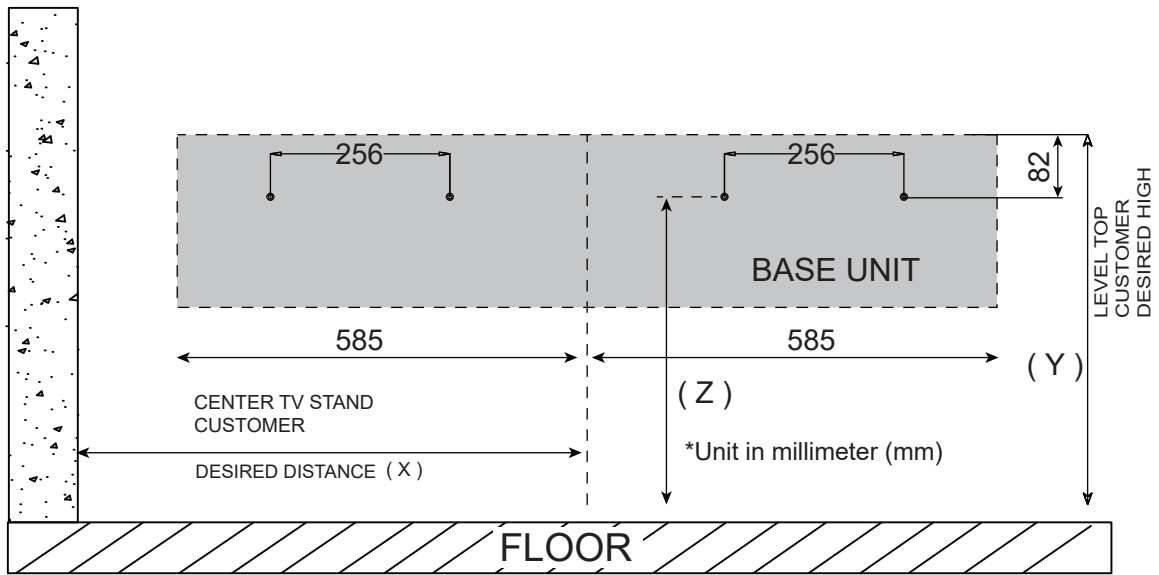
14.2. Determine your desired (Y) height, then subtract by 82 mm. This is the drill holes height from the floor.



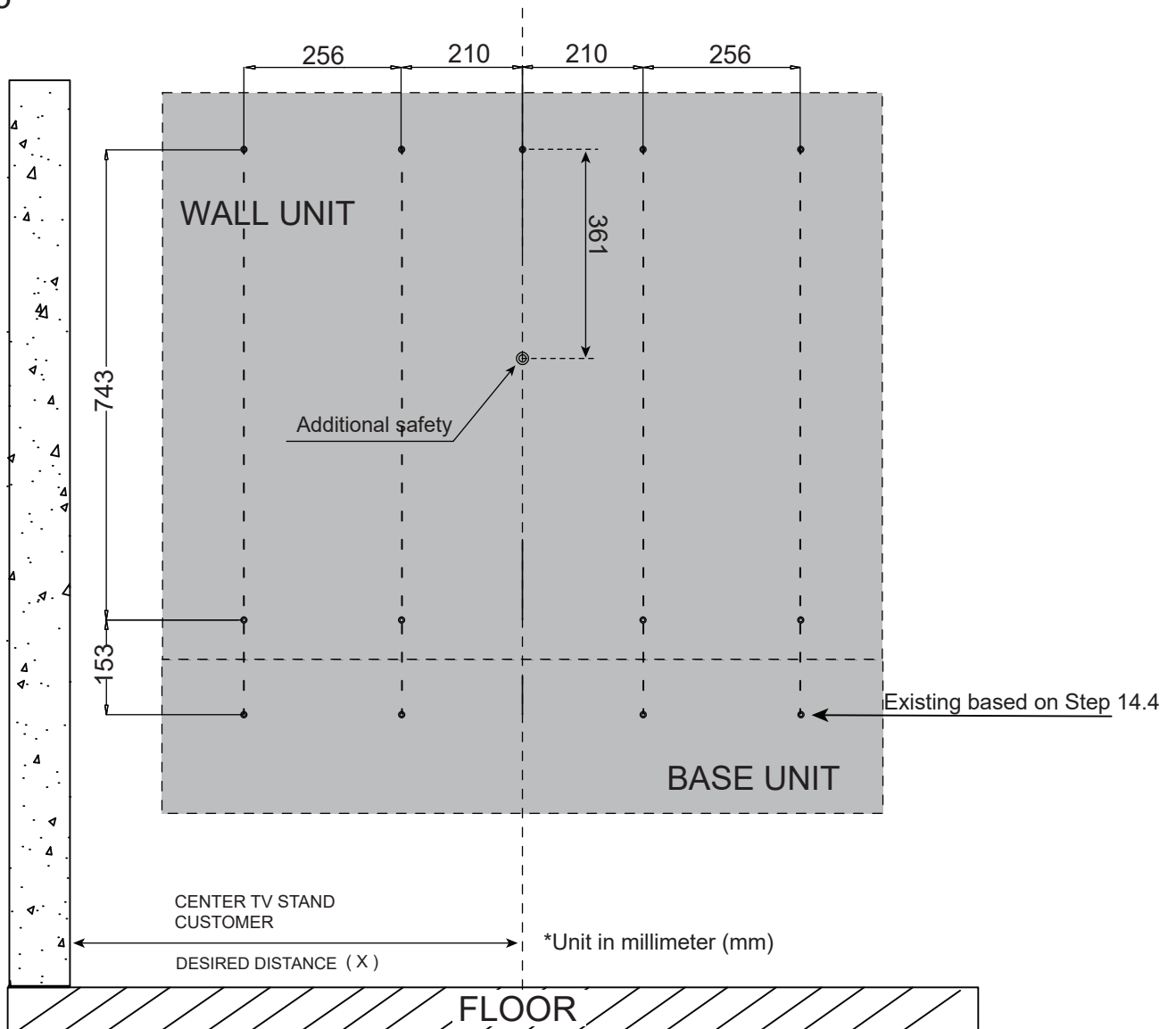
14.3. Continue to complete measurement on drill holes position on the wall.

*#refer to page 11 & page 12*

14.4

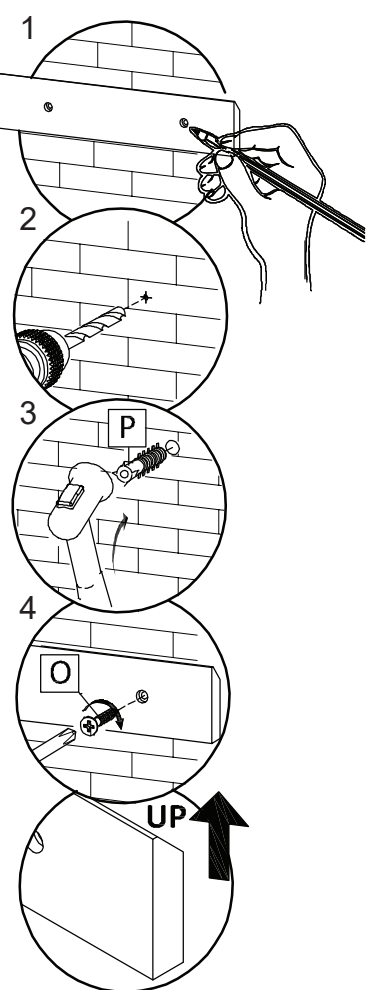
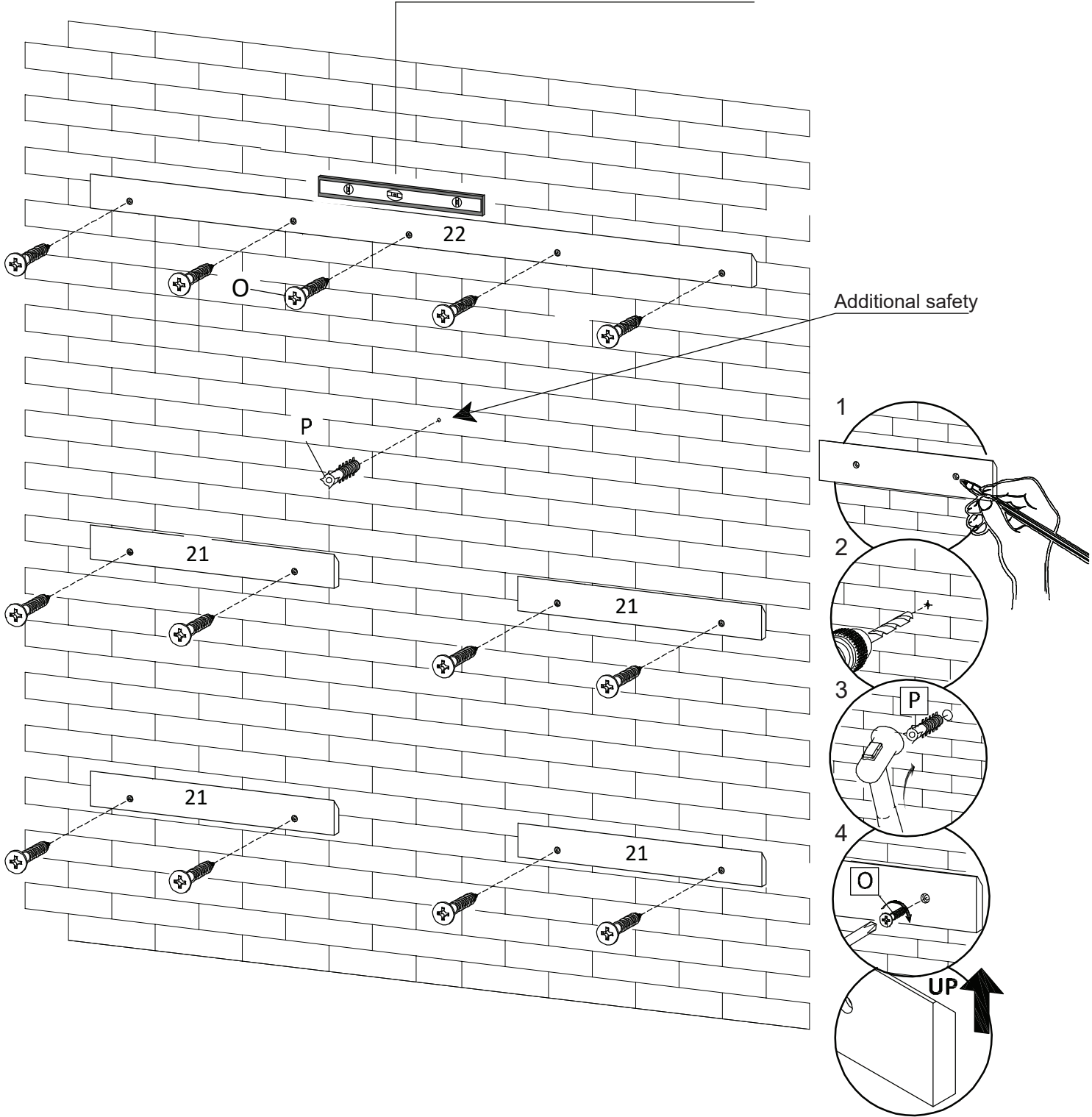


14.5



## STEP 15:

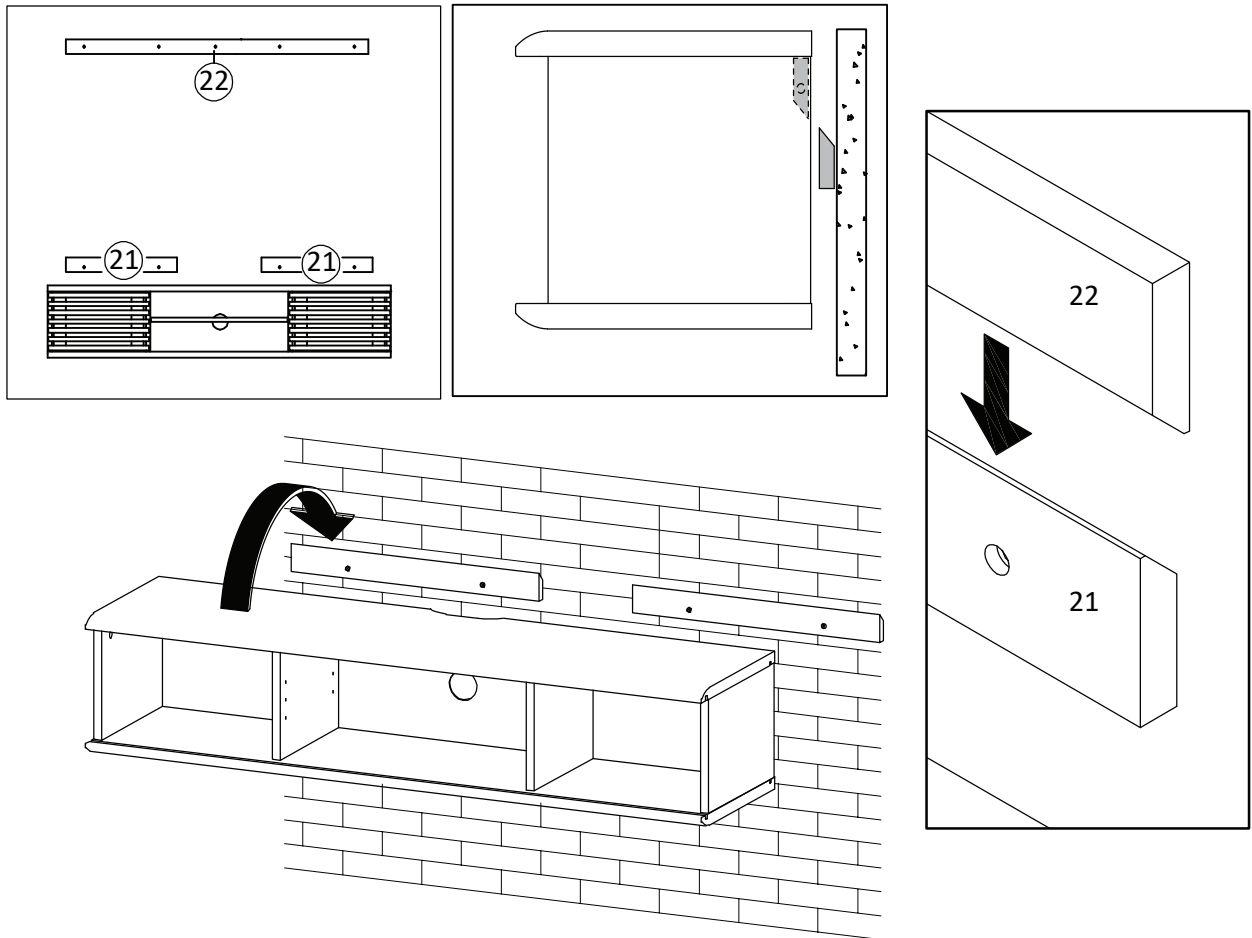
Use Waterpass to ensure the drill position



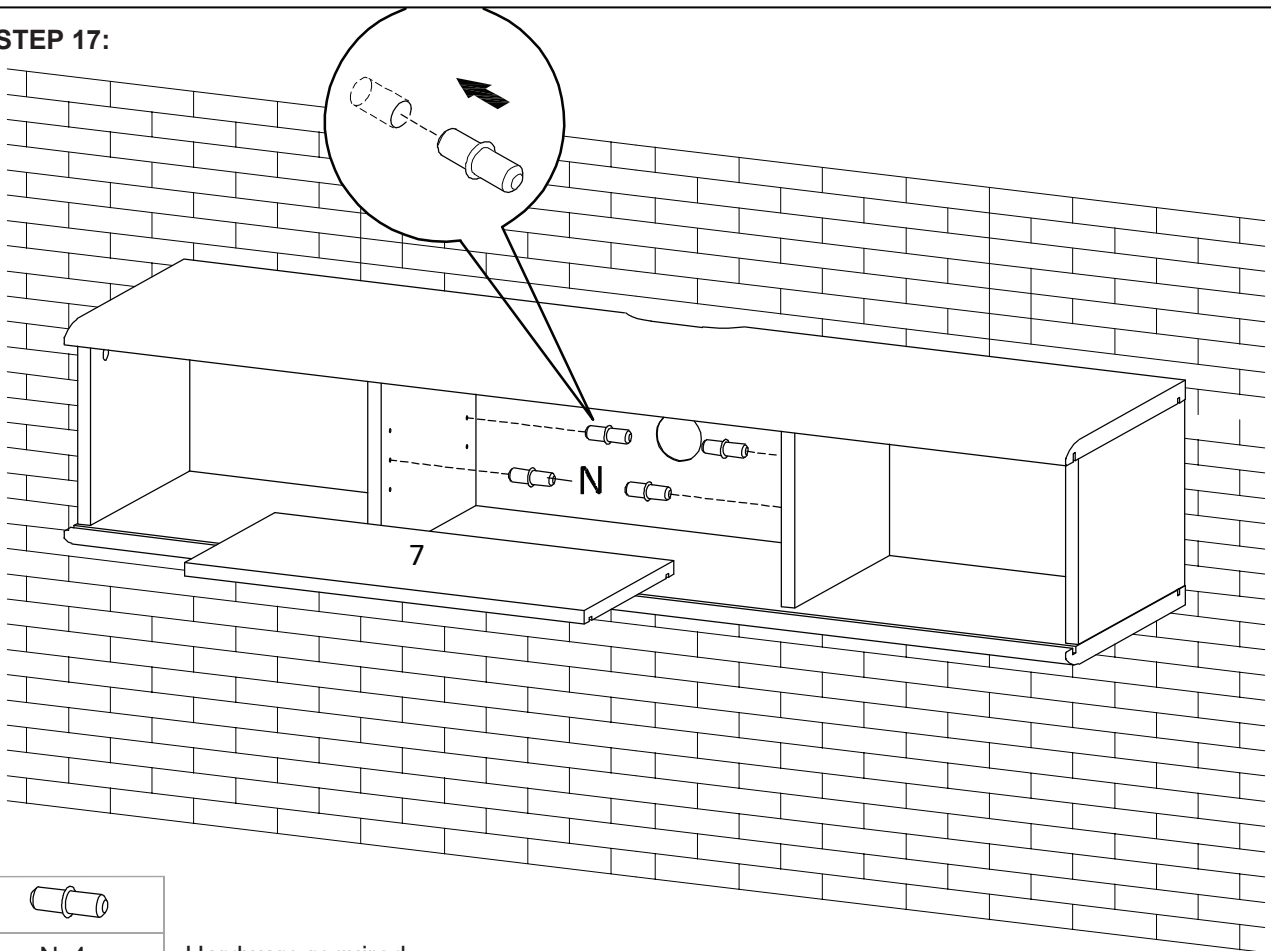
Ox13	Px14	Ux1

Hardware required.  
Screwdriver not included

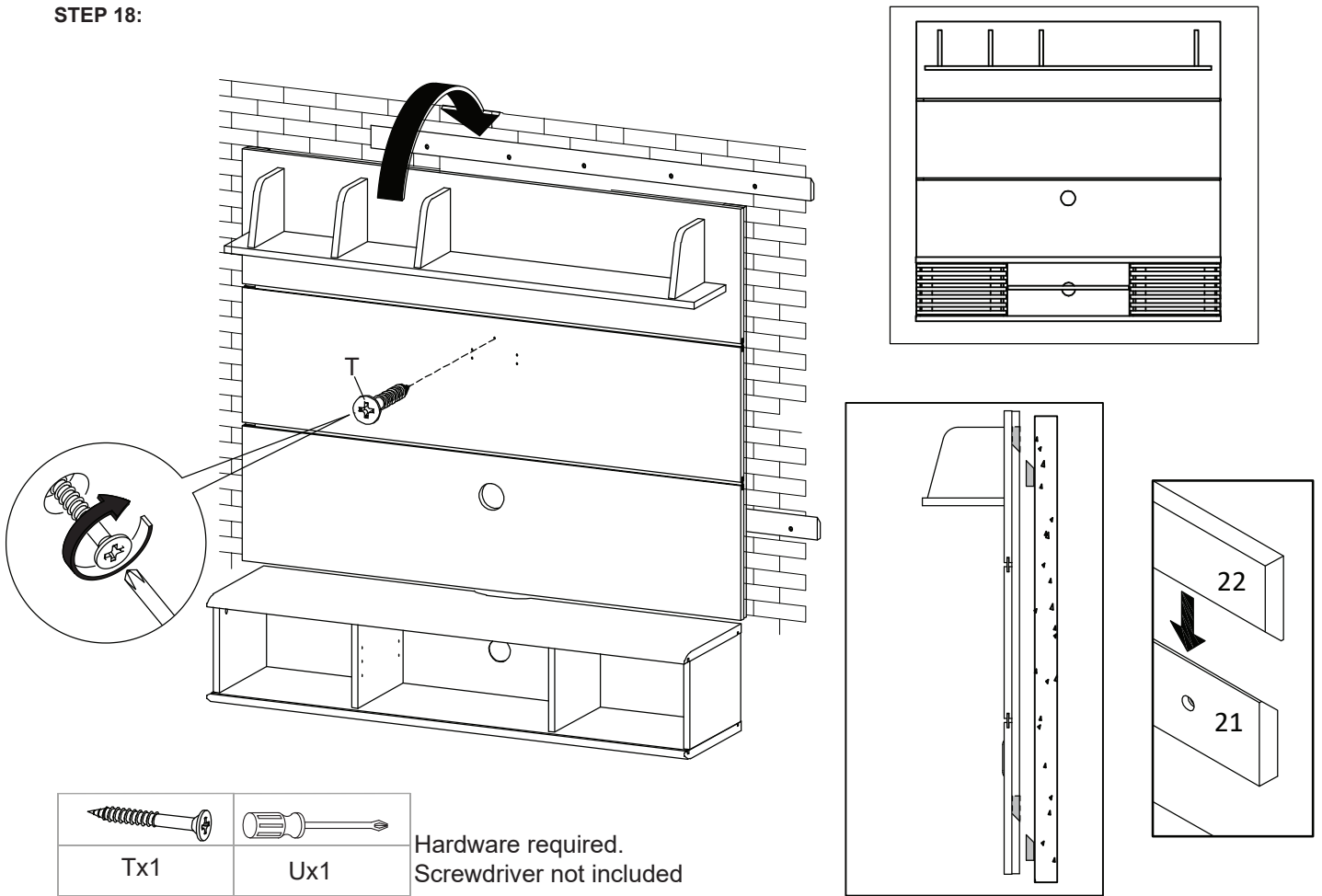
STEP 16:


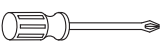


STEP 17:



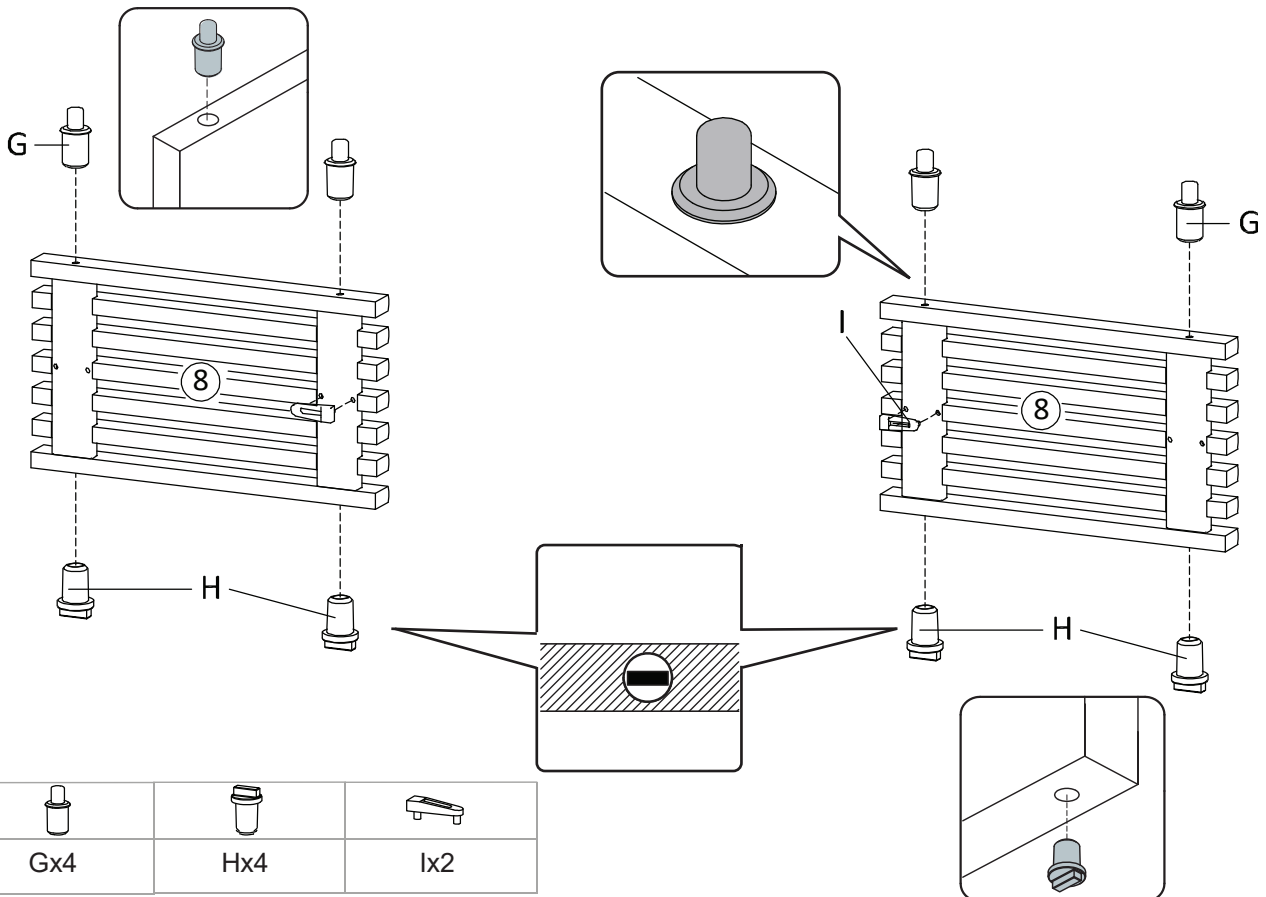
**STEP 18:**






	
Tx1	Ux1

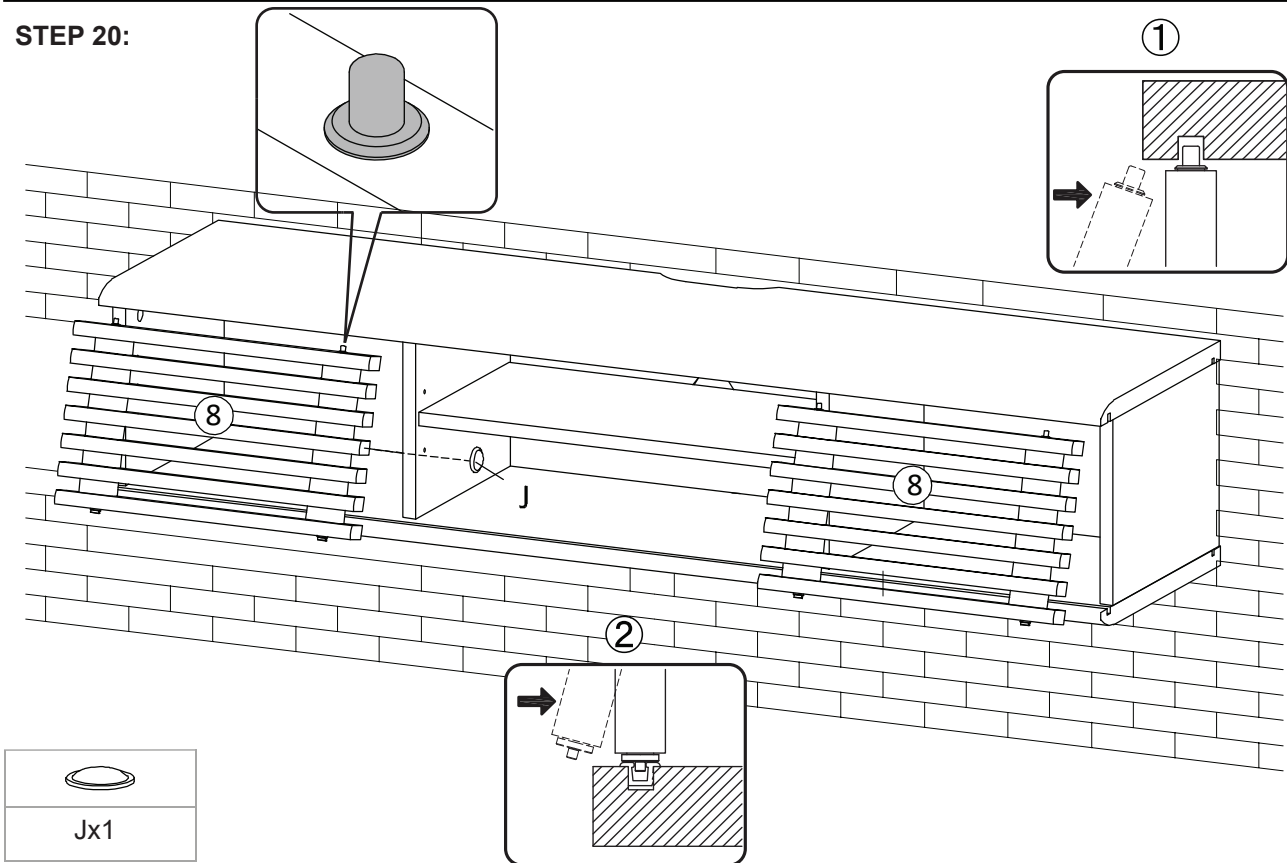
Hardware required.  
Screwdriver not included

**STEP 19:**



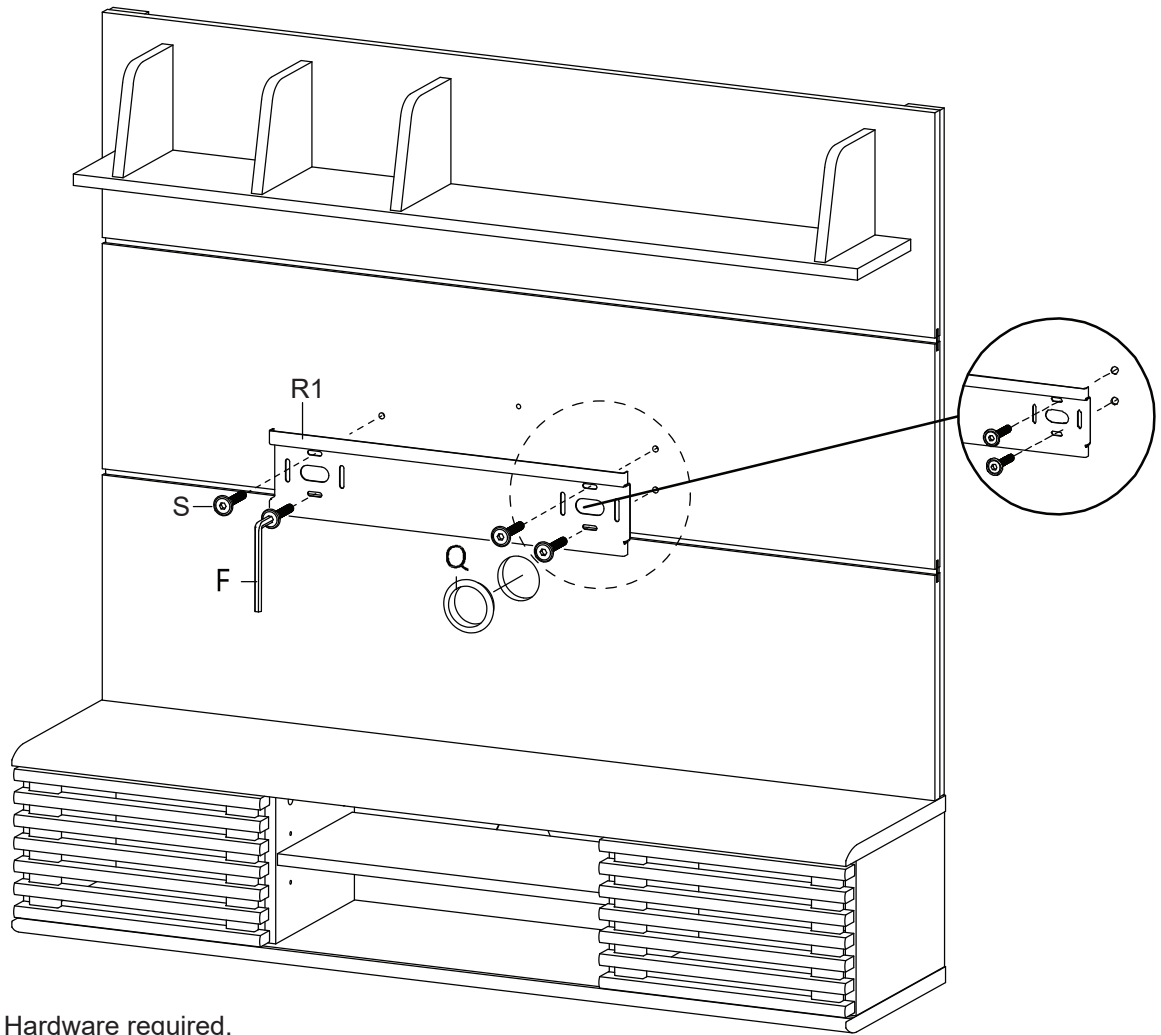
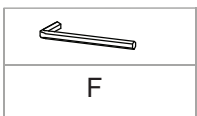
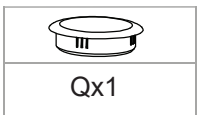
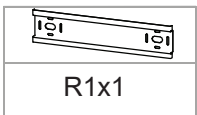
		
Gx4	Hx4	Ix2

**STEP 20:**





**STEP 21:**



From Box of Bracket Set



Hardware required.

**STEP 22:**


	
R8x4	R5x4

	
R7x4	R6x4

**TV**

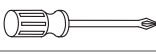
DETERMINE R7 OR R8  
ACCORDING TO YOUR  
TV UNIT HOLE

R7 WITH R6  
R8 WITH R5

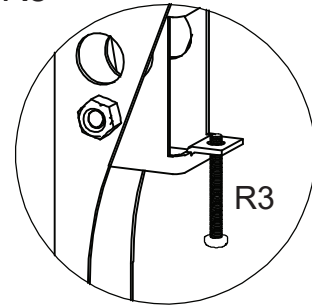
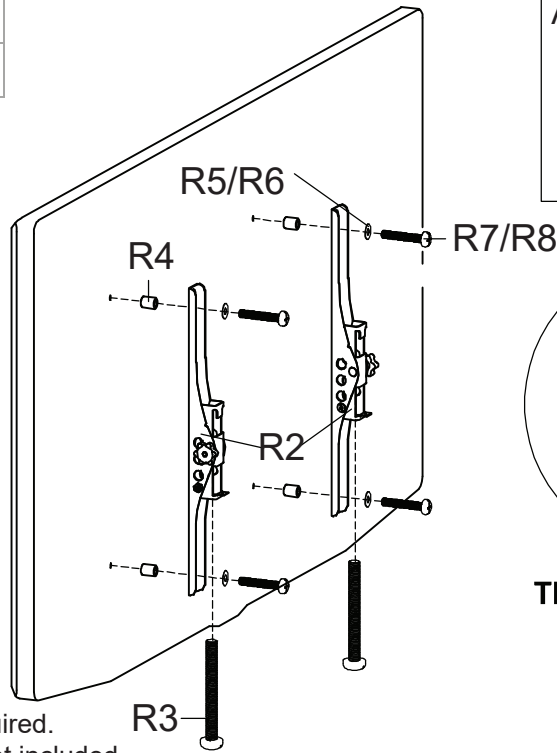

R2x1


R4x4


R3x2

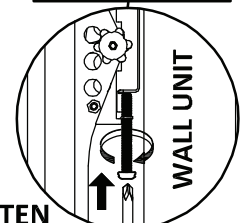
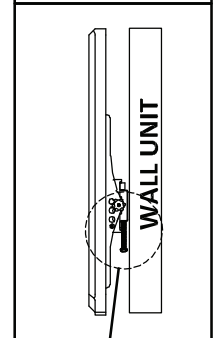
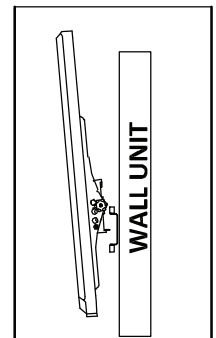
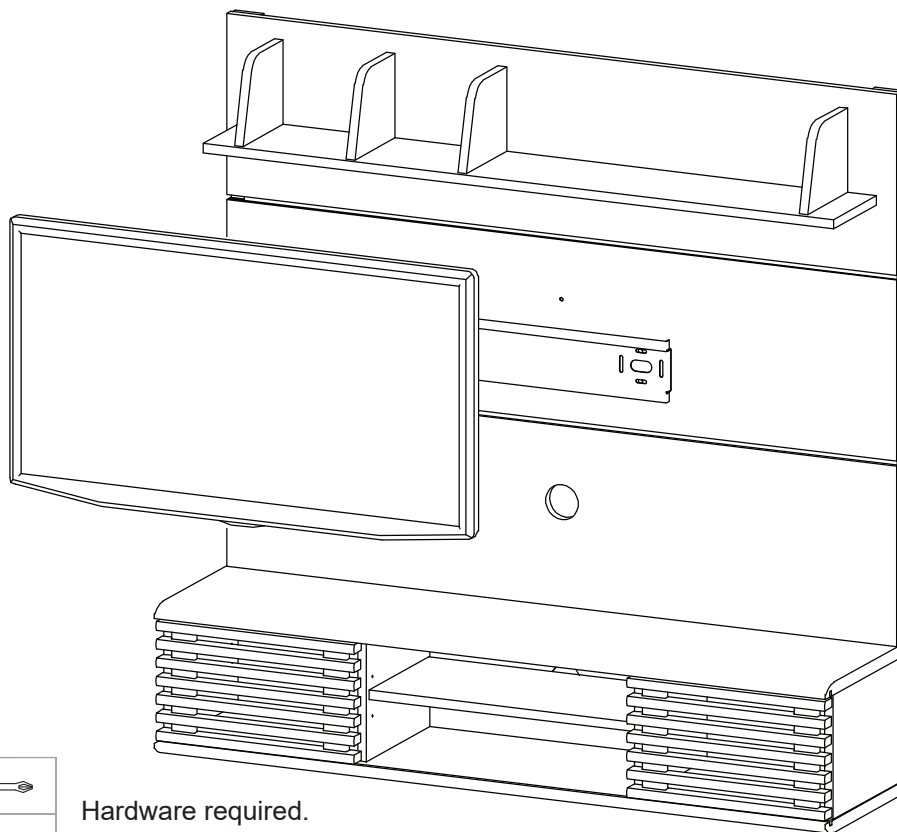

Ux1

Hardware required.  
Screwdriver not included

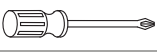


TIGHTEN +/- 5 mm

**STEP 23:**



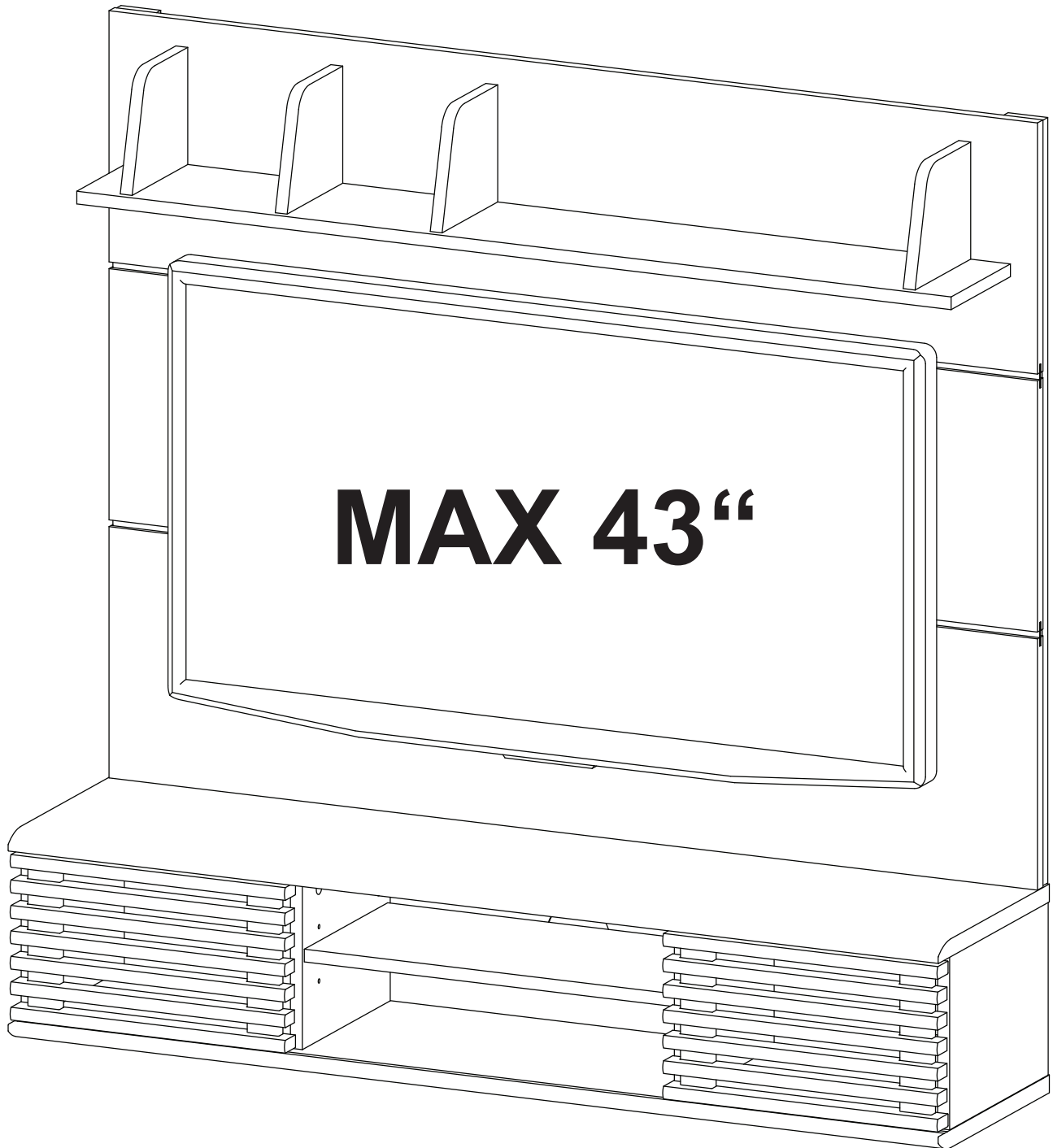
TIGHTEN


Ux1

Hardware required.  
Screwdriver not included



**STEP 24:**



**Assembly is complete. The TV Stand is ready to enjoy now !**

