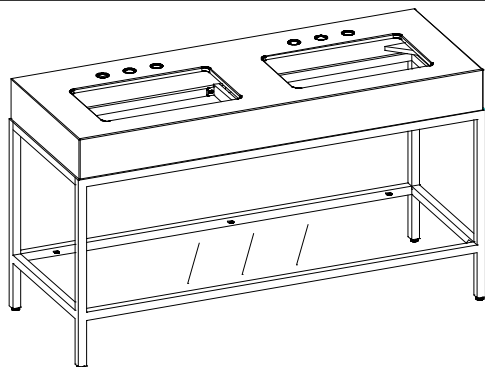


Thank you for purchasing the **MODWAY TWIN BASIN**.

Before you start, here are some helpful advice:

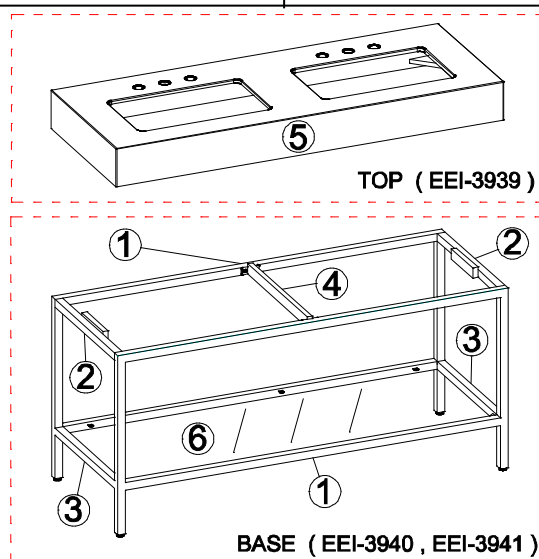
1. We suggest you spend a short time reading through this leaflet and then follow the simple step-by-step instructions.
2. Tools and Materials required: a. Flat, nonabrasive work surface such as a blanket or smooth cardboard; b. Sealant.
3. Owing to the size and weight of the basin, we recommend that it is assembled by a professional two men crew, a single person crew is much more likely to break or chip the marble top. Double tops might require a 3 men crew, on a carpeted or padded area, in the room that it is intended for. Approximate assembly time: 30 minutes.
4. Professional installation by two-person crew is required for this fixture. Install water supply and drain piping according to local plumbing and building codes. Insure that wall and floor are square and plumb at site of installation.
5. Please do not throw away any of the packaging or the instruction until you have checked all the components and hardware and the furniture is fully assembled. Please ensure that the packaging is disposed of in a safe and environmentally friendly way.
6. Assemble all components loosely until advised to tighten. Depending on use, it may be necessary to tighten the components from time to time, so please save the tools that have been provided.
7. Please keep all the pieces out of reach of children.



Hardware:

- | | | | |
|----|--|---------------|-----|
| A. | | Bolt M8x12mm | x20 |
| B. | | Allen Wrench | x1 |
| C. | | Rubber Sucker | x6 |

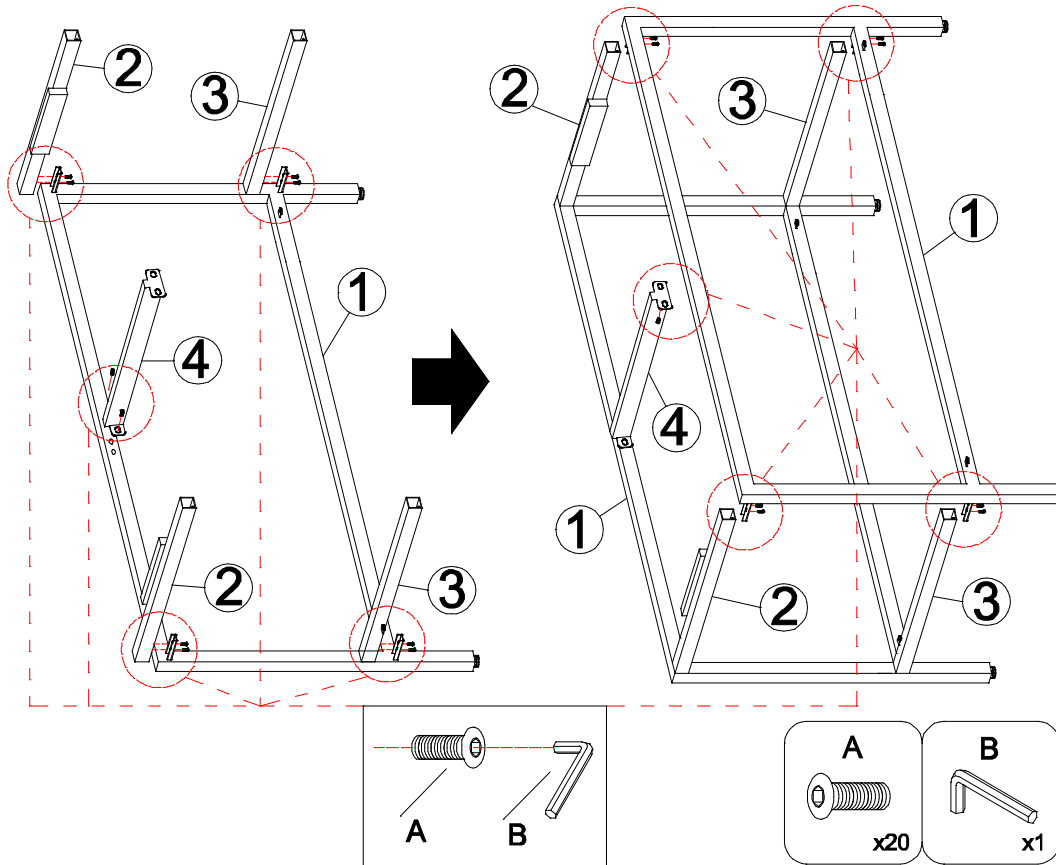
Components:



- | | | | | | |
|---------------------|----|-------------------|----|--------------------|----|
| 1. Metal Frame Side | x2 | 2. Upper Side Bar | x2 | 3. Bottom Side Bar | x2 |
| 4. Upper Middle Bar | x1 | 5. Top with Basin | x1 | 6. Glass | x1 |

STEP 1:

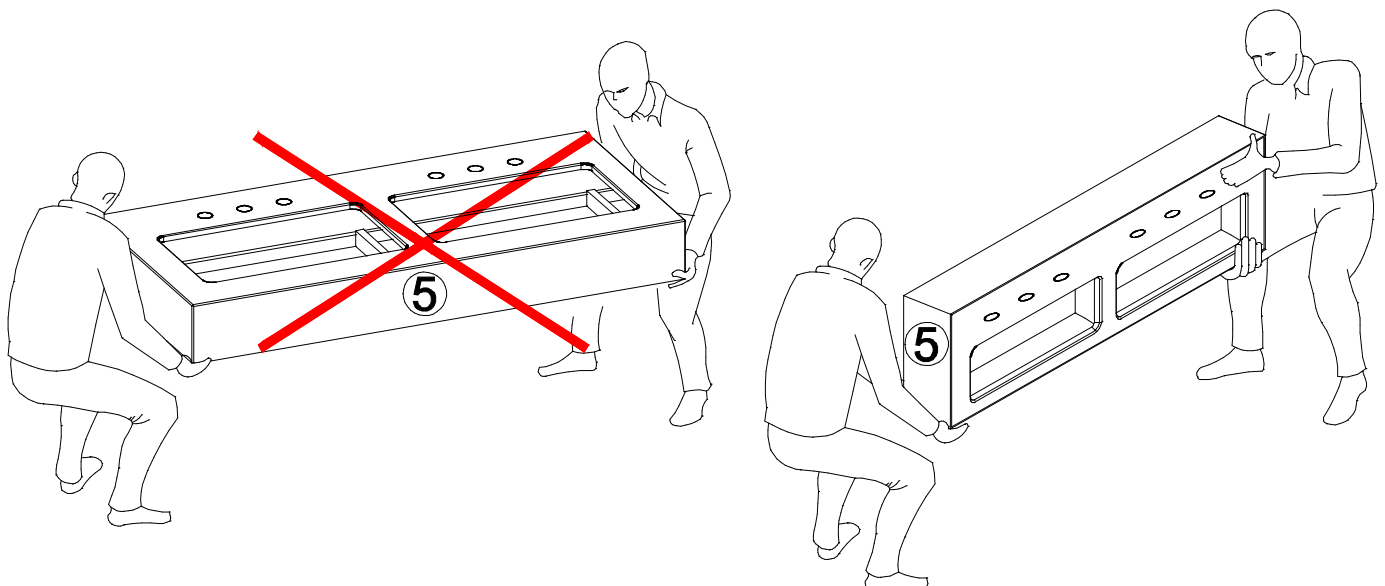
1. Please put 1 piece of **Metal Frame Side (1)** on a carpeted or padded surface.
2. Attach 2 pieces of **Upper Side Bars (2)**, 2 pieces of **Bottom Side Bars (3)** and 1 piece of **Upper Middle Bar (4)** to the **Metal Frame Side (1)** by using 10 pieces of **Bolts (A)** as shown. Don't fully tighten **Bolts (A)**.
3. Repeat the same way to assemble the other **Metal Frame Side (1)** as shown.
4. Use **Allen Wrench (B)** to tighten all **Bolts (A)** clockwise as shown.



Hardware & Tools Required

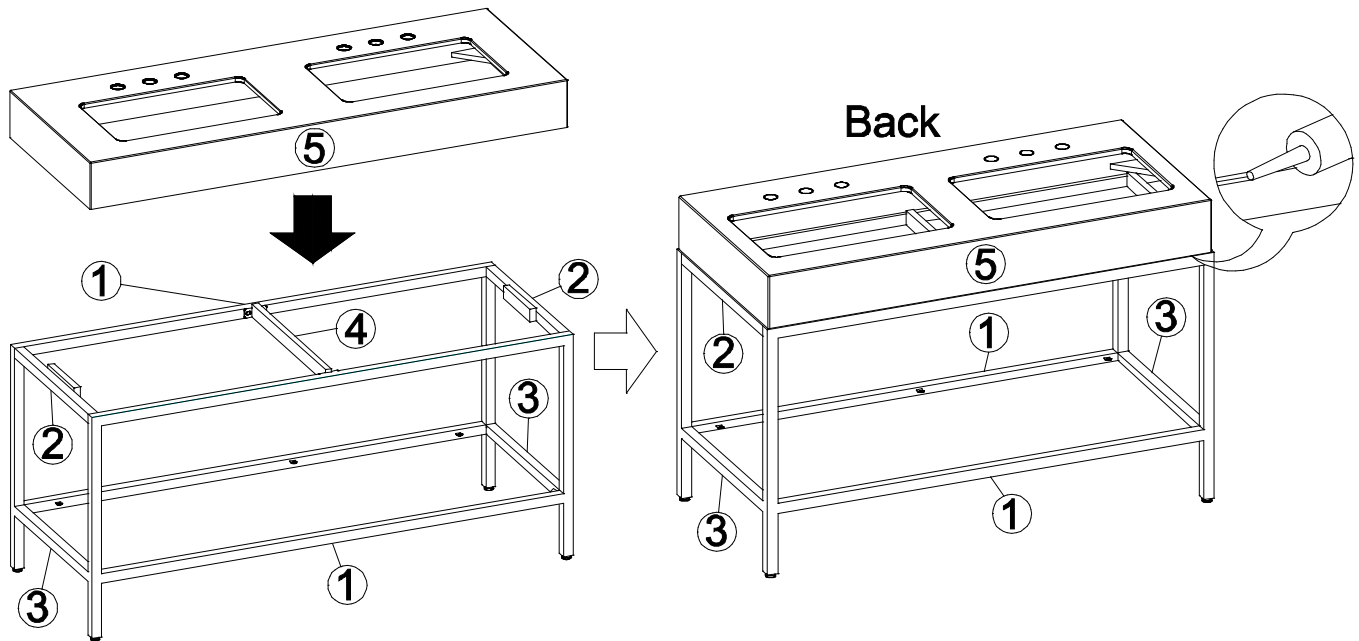
STEP 2:

Always use a two men crew, a single person crew is much more likely to break or chip the **Top (5)**. Sometimes might require a three men crew.



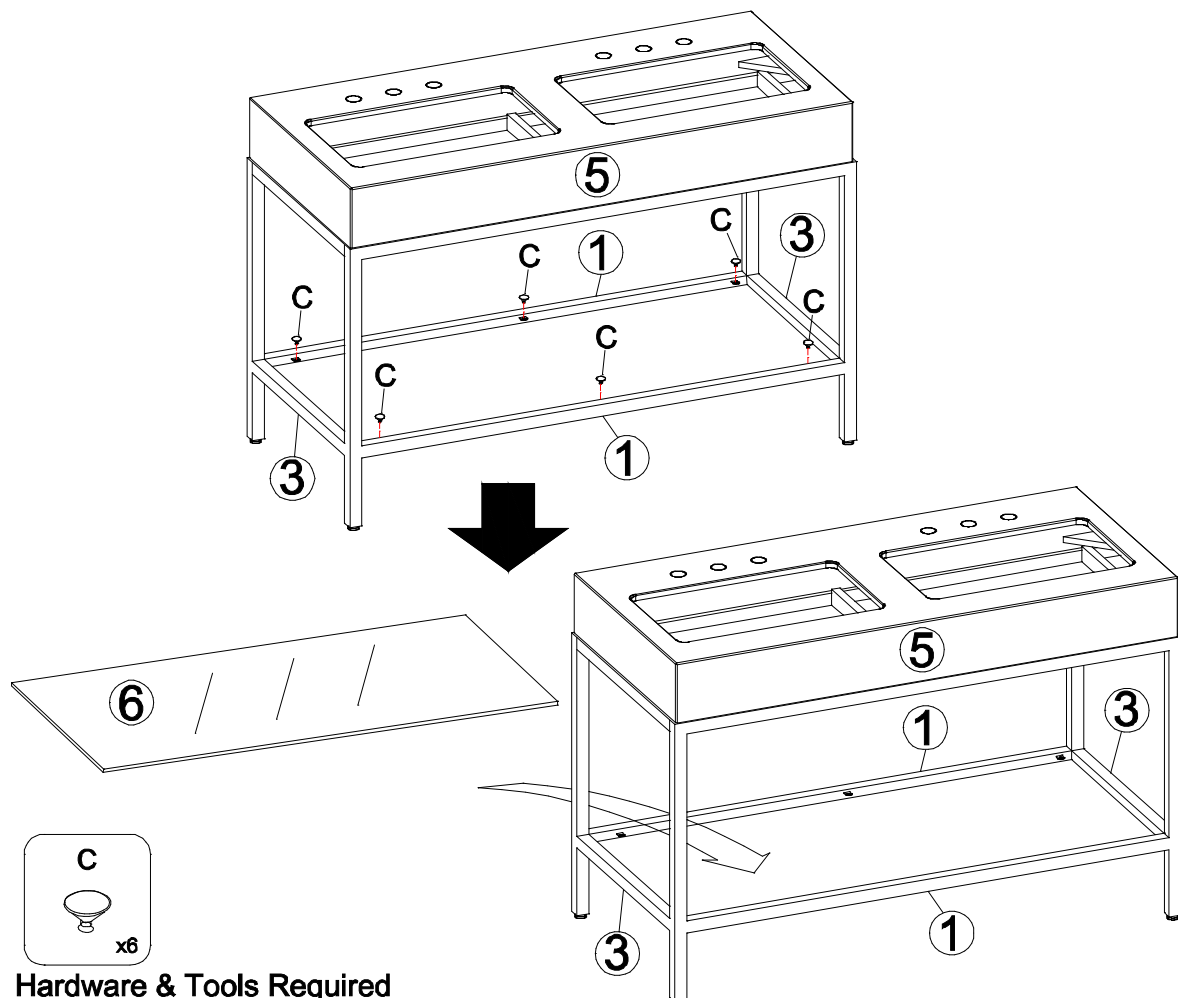
STEP 3:

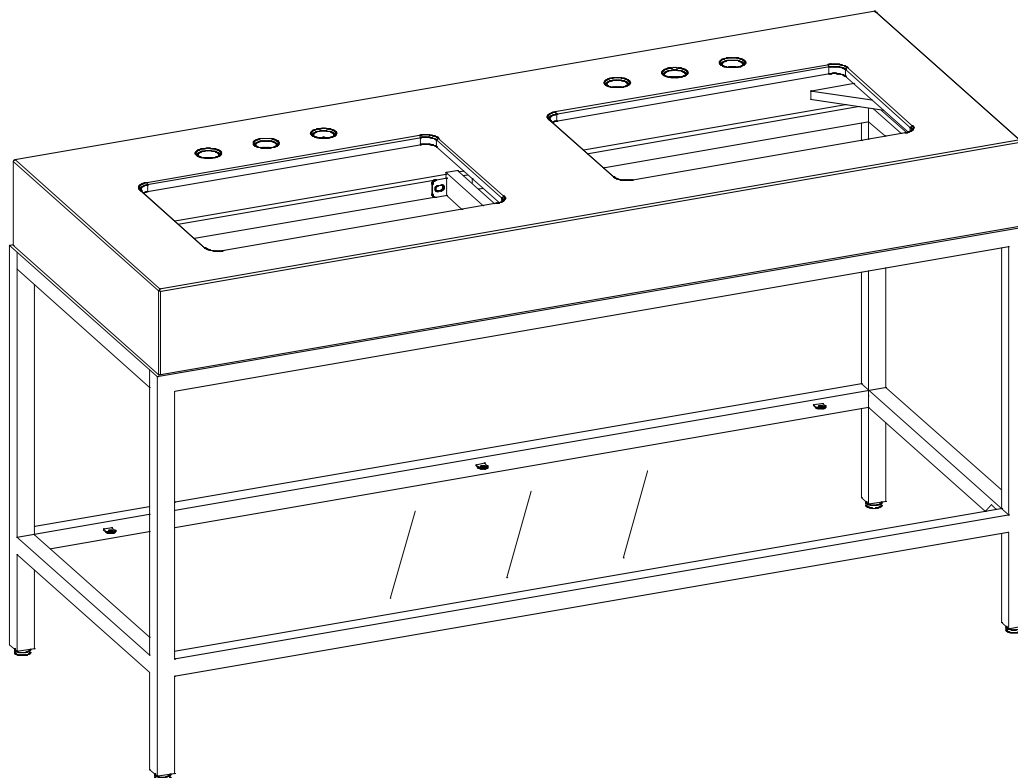
1. Carefully put **Top (5)** on the assembled Base from the Step 1 by two adults as shown. Set **Top (5)** on the Base's at the back and leave about 5mm distance from the edge for all other three sides.
2. Make sure the **Top (5)** fits closely and pour Sealant (**Not provided**) for the sealing as shown.



STEP 4:

1. Put 6 pieces of **Rubber Suckers (C)** on the pre-installed Clips of the **Metal Frame Sides (1)** as shown.
2. Put 1 piece of **Glass (6)** on the **Rubber Suckers (C)** with your hand as shown.





Attention:
If the Twin Basin is not
stable, you may adjust
it by alignment pin.

Assembly is complete. Your twin basin is ready to enjoy now!