

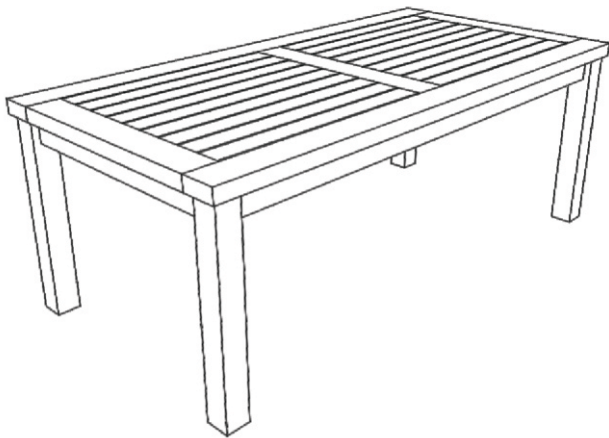
EEI-4122-NAT COFFE TABLE



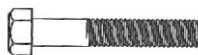


Thank you for purchasing the **MODWAY COFFE TABLE!**

Before you start, here is some helpful advice:

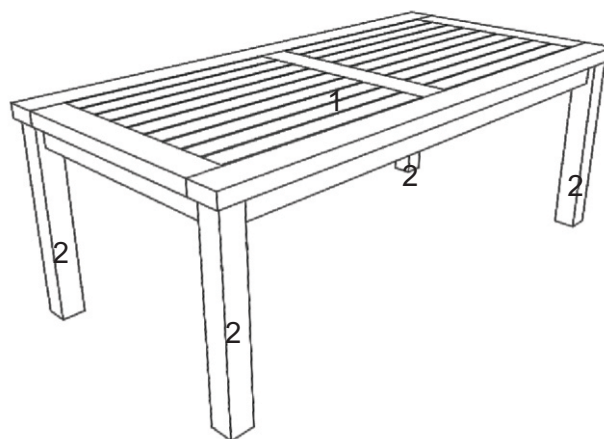
1. We suggest you spend a short time reading through this leaflet and then follow the simple step-by-step instructions.
2. Owing to the size and weight of the table, we recommend that it is assembled by two adults, on a carpeted or padded area, in the room that it is intended for. Approximate assembly time: 30 minutes.
3. Please do not use any tools other than those provided or recommended in these instructions.
4. Please do not throw away any of the packaging or the instruction until you have checked all the components and hardware and the furniture is fully assembled. Please ensure that the packaging is disposed of in a safe, environmentally friendly way.
5. Assemble all components loosely until advised to tighten. Depending on use, it may be necessary to tighten the components from time to time, so please save the tools that have been provided.
6. Please keep all fitting out of reach of children.



Hardware:

A		Bolt M8x6cm	x8
B		Spring Washer M8	x8
C			x1

Component:



1 Table Top x1

2 Leg x4

EEI-4122-NAT COFFE TABLE

STEP 1:

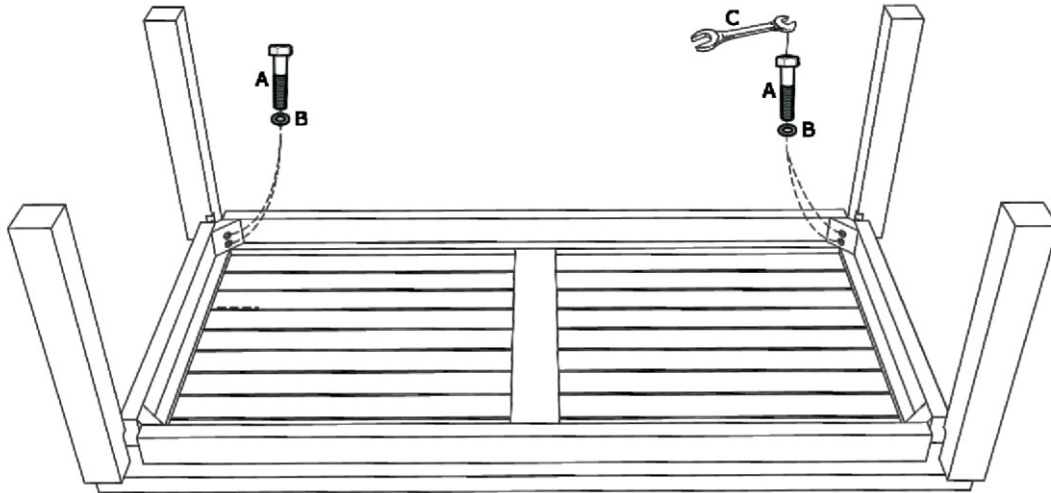
Please put the **Table Top (1)** upside down on a carpeted or padded area.

Position 1 piece of **Leg (3)** into the corner of **Table Top (1)** as shown.

Insert 2 pieces of **Bolt (A)** with 2 pieces of **Flat Washer (B)** into the pre-drilled holes on bottom of **Leg (2)** through the pre-drilled holes on **Table Top (1)**.

Repeat the same steps for the remaining **Legs (2)**.

Use **Open Wrench (C)** to tighten **Bolts (A)** clockwise until secure.

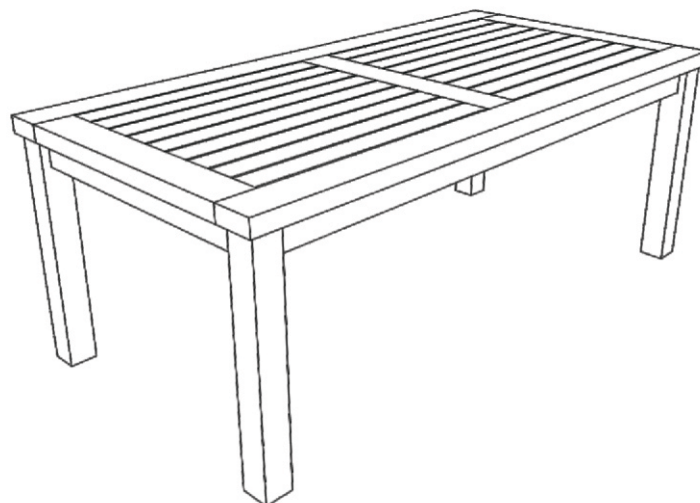


Ax8	Bx8	Cx1

Hardware & Tool required

STEP 2:

Carefully turn over the assembled table.



Assembly is complete. Your chair is ready to be used now!