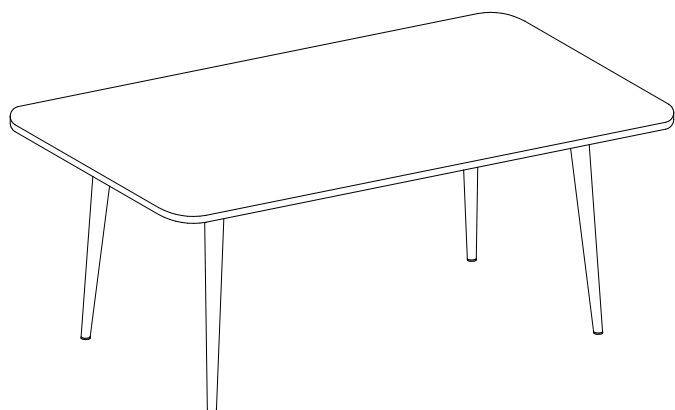


Thank you for purchasing the **MODWAY TABLE**.

Before you start, here are some helpful advice:

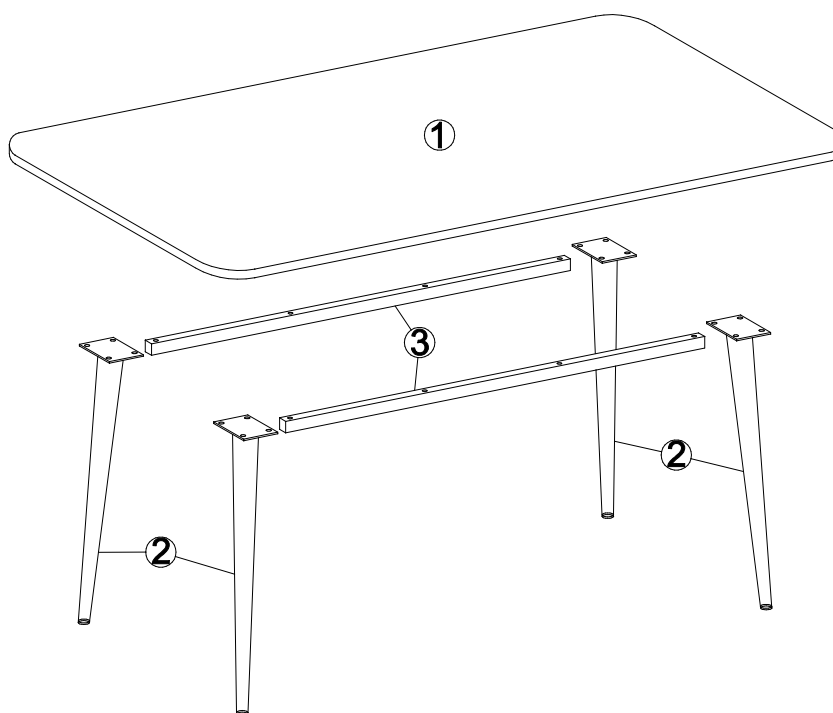
1. We suggest you spend a short time reading through this leaflet and then follow the simple step-by-step instructions.
2. Owing to the size and weight of the Table, we recommend that it is assembled by two adults, on a carpeted or padded area, in the room that it is intended for. Approximate assembly time: 30 minutes.
3. Please do not use any tools other than those provided or recommended in these instructions.
4. Please do not throw away any of the packaging or the instruction until you have checked all the components and hardware and the furniture is fully assembled. Please ensure that the packaging is disposed of in a safe and environmentally friendly way.
5. Assemble all components loosely until advised to tighten. Depending on use, it may be necessary to tighten the components from time to time, so please save the tools that have been provided.
6. Please keep all pieces out of reach of children.



### Hardware:

A.		Bolt M8x20mm	x16
B.		Flat Washer M8	x16
C.		Bolt M6x55mm	x8
D.		Flat Washer M6	x8
E.		Spring Washer M6	x8
F.		Allen Wrench	x1

### Components:



1. Top

x1

2. Leg

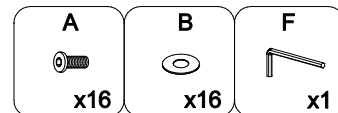
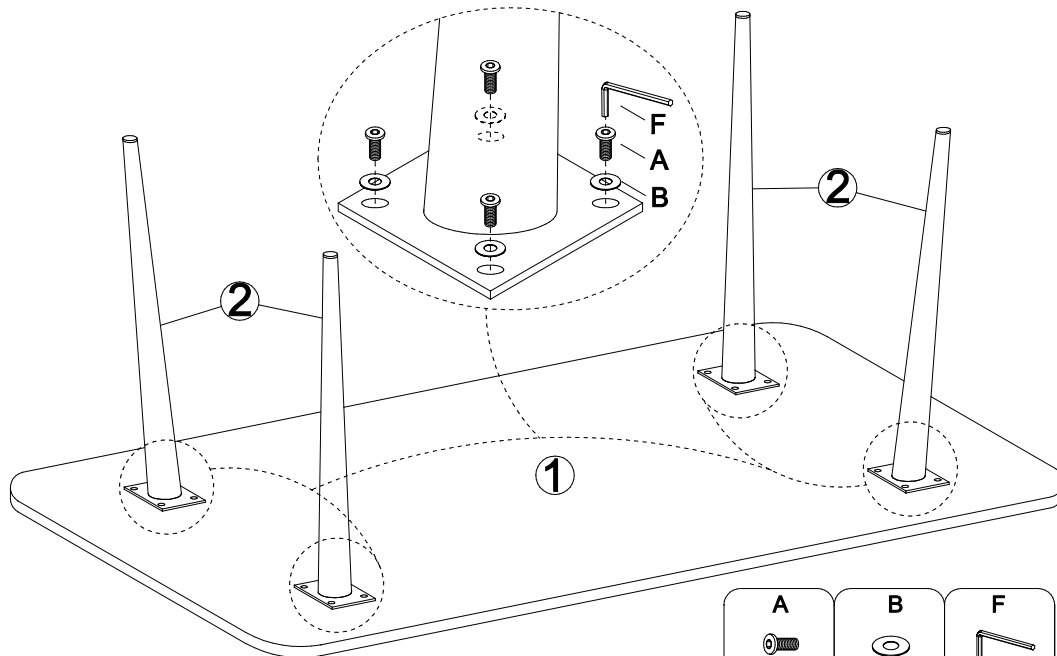
x4

3. Rail

x2

**STEP 1:**

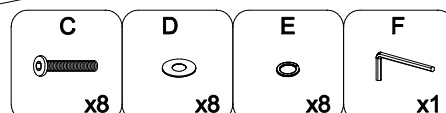
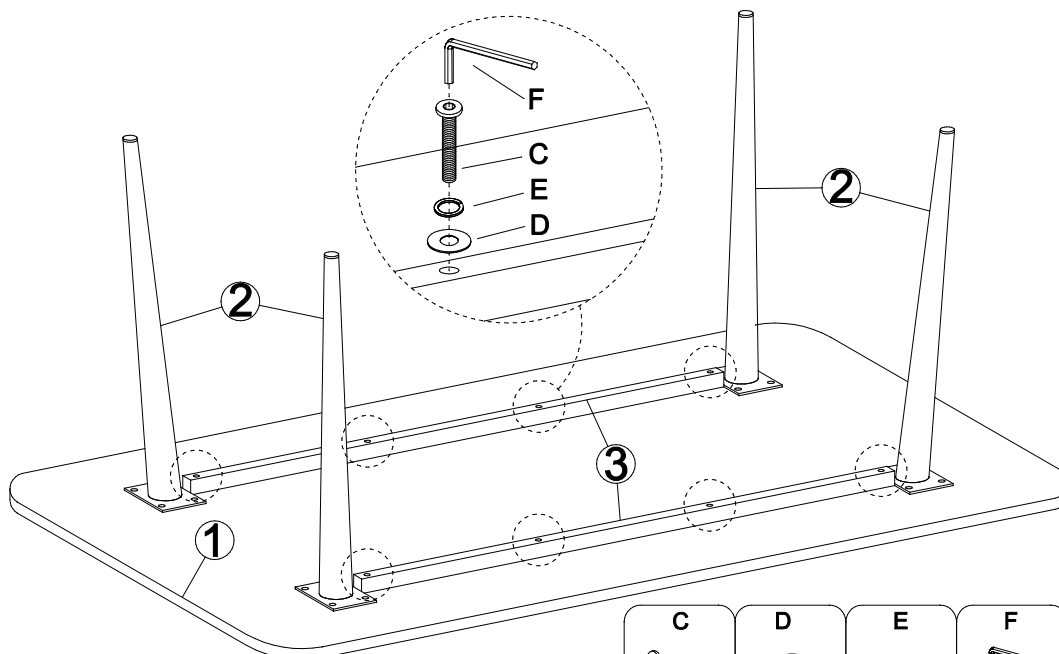
1. Take out the hardware package from the carton of **Legs (2)**.
2. Please put **Top (1)** upside down on a carpeted or padded surface.
3. Attach 1 piece of **Leg (2)** to the **Top (1)** by using 4 pieces of **Bolts (A)** with 4 pieces of **Flat Washers (B)** as shown. Use **Allen Wrench (F)** to fully tighten **Bolts (A)** clockwise as shown.
4. Repeat the same steps for other 3 pieces of **Legs (2)**.



Hardware & Tools Required

**STEP 2**

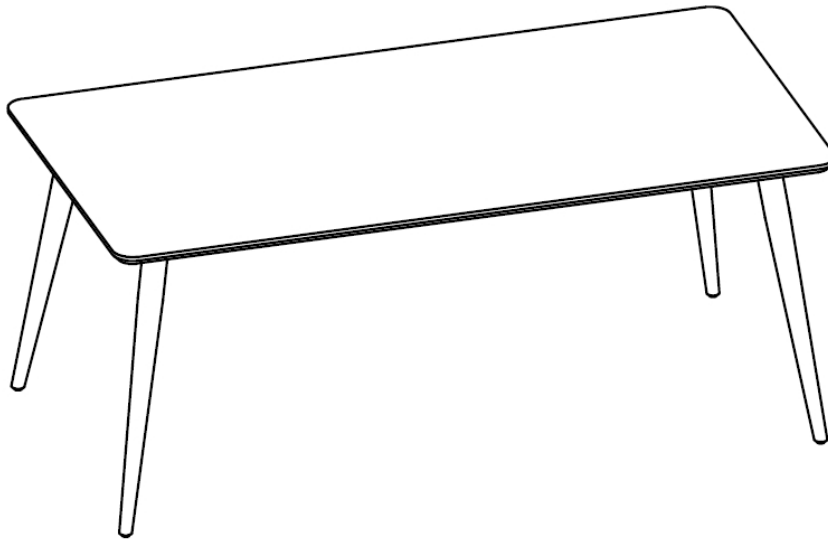
1. Attach 2 pieces of **Rails (3)** to the **Top (1)** by using 8 pieces of **Bolts (C)** with 8 pieces of **Flat Washers (D)** and 8 pieces of **Spring Washers (E)** as shown.
2. Use **Allen Wrench (F)** to tighten all **Bolts (C)** clockwise as shown.



Hardware & Tools Required

**STEP 3:**

Carefully turn over the assembled Table.



Assembly is complete. Your Table is ready to enjoy now!