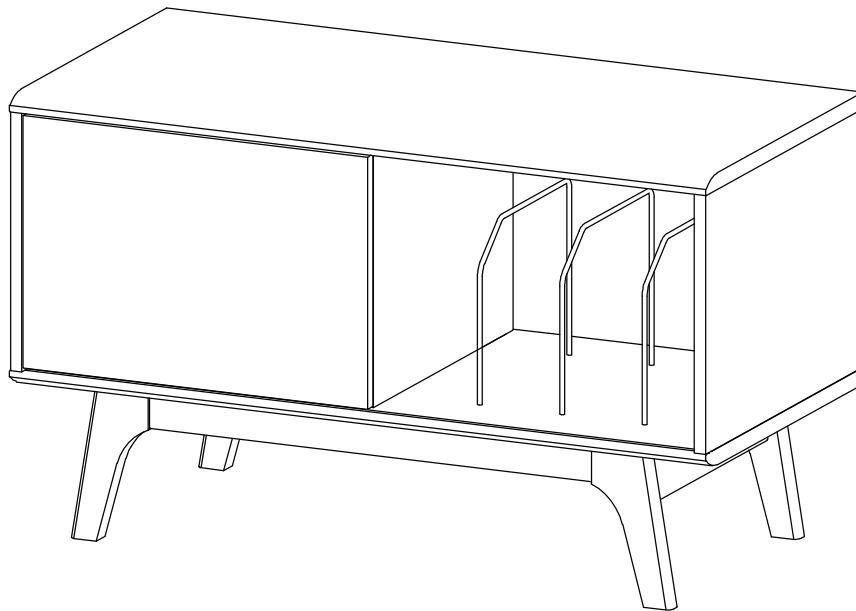


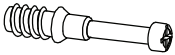


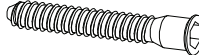


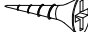
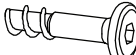




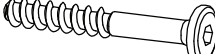


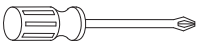
Thank you for purchasing the **MODWAY CABINET** !

Before you start, here are some helpful advice:

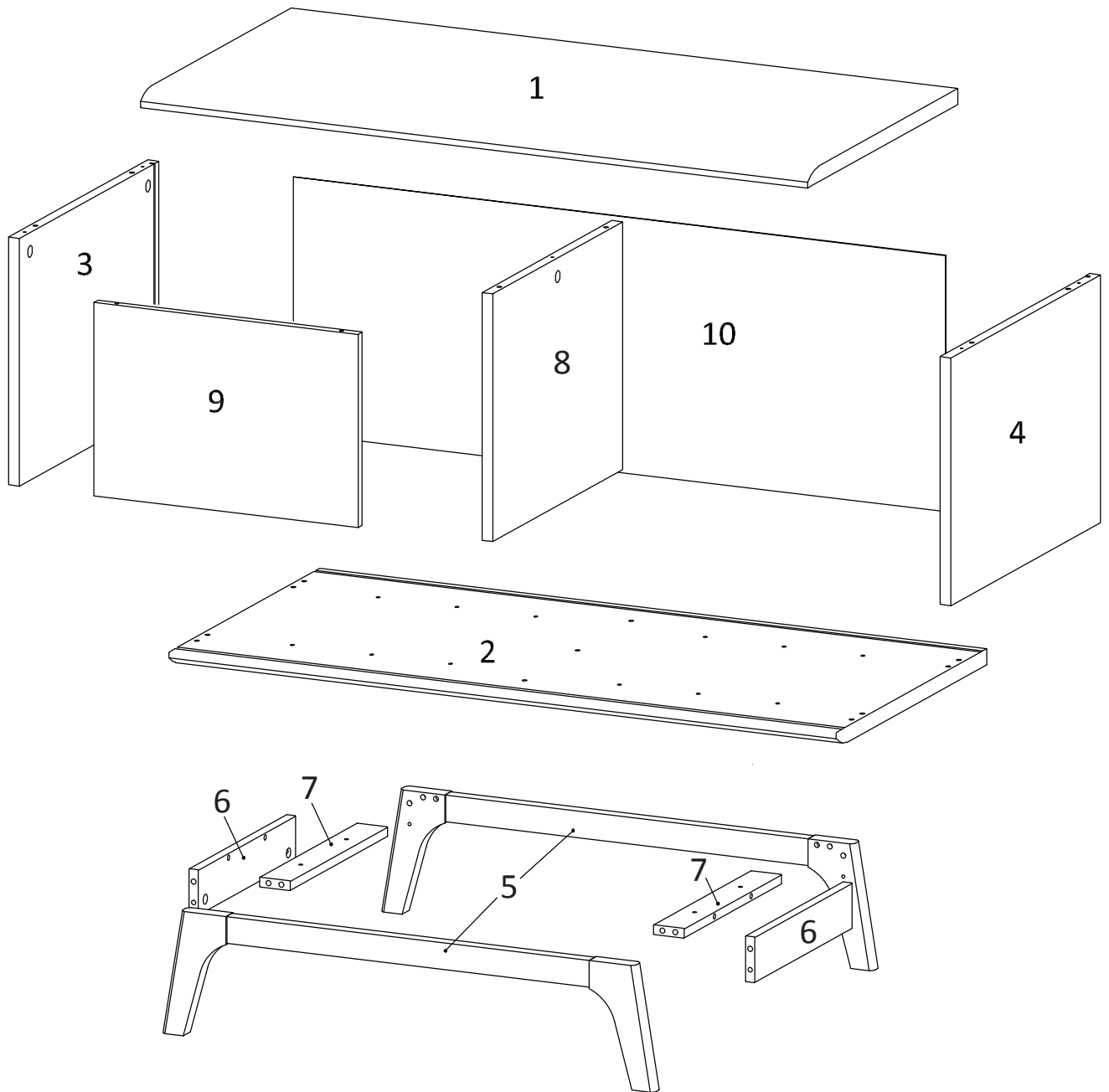
1. We suggest you spend a short time reading through this leaflet and then follow the simple step-by-step instructions.
2. Owing to the size and weight of the Cabinet, we recommend that it is assembled by two adults, on a carpeted or padded area, in the room that it is intended for. Approximate assembly time: 60 minutes.
3. Please do not use any tools other than those provided or recommended in these instructions.
4. Please do not throw away any of the packaging or instructions until you have checked all the components and hardware and the furniture is fully assembled.
5. Assemble all components loosely until advised to tighten. Depending on use, it may be necessary to tighten the components from time to time, so please save the tools that have been provided.
6. Please keep all pieces out of reach of children.



### Hardware :

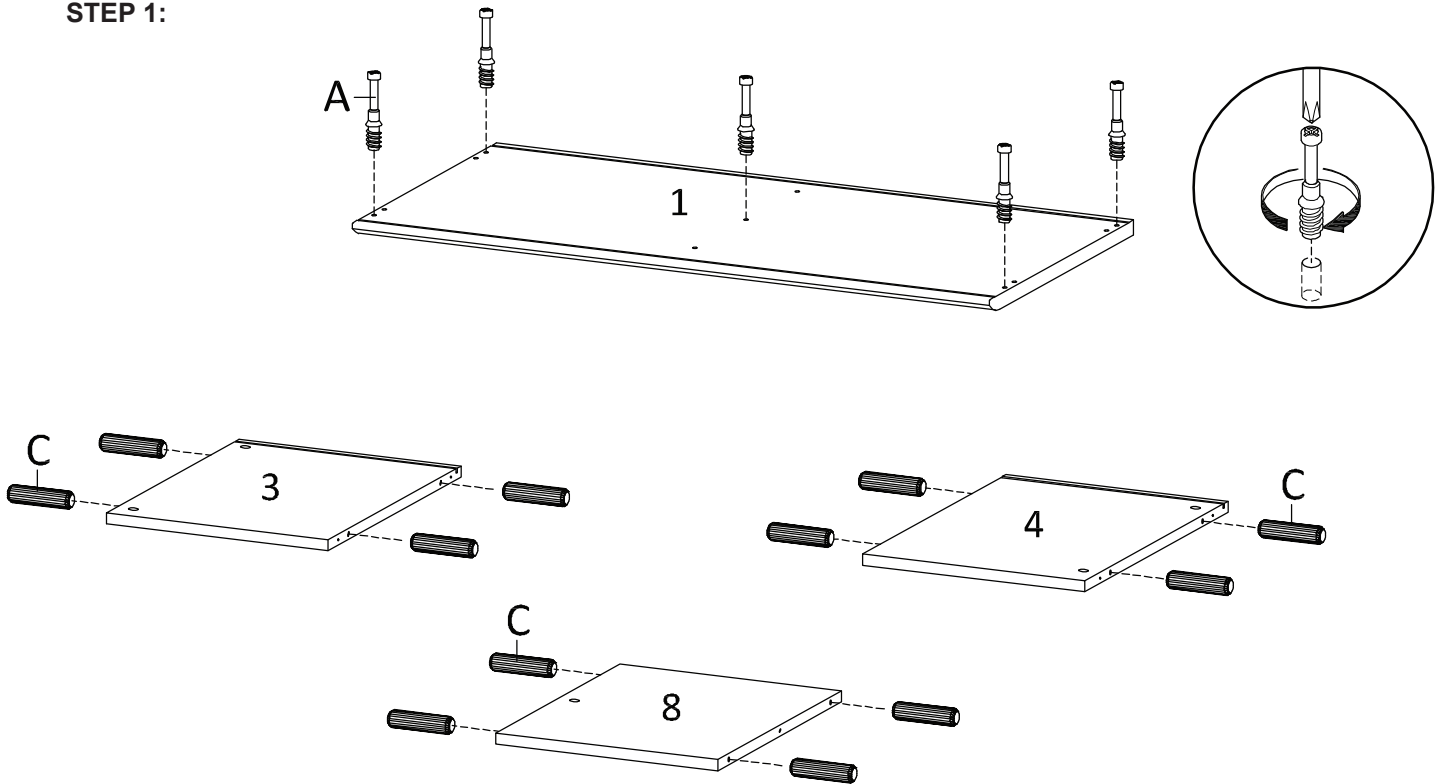
<b>A)</b> Cambolt/Metal  $\varnothing$ 6 x 35 mm x 9	<b>B)</b> CamLock/Metal  $\varnothing$ 15 mm x 9	<b>C)</b> Dowel/Wood  $\varnothing$ 8 x 30 mm x 32	<b>D)</b> Screw/Metal  M 7 x 50 mm x 5	<b>E)</b> Hex /Allen Key/Metal  L 4 x 1
<b>F)</b> Wedge/Plastic  9 x 14 x 10 mm x 8	<b>G)</b> Screw/Metal  M 3.5 x 15.5 mm x 8	<b>H)</b> Screw/Metal  M 6.4 x 25 mm x 4	<b>I)</b> Pin Sliding Top/Plastic  $\varnothing$ 8 x 19 mm x 2	<b>J)</b> Pin Sliding Bottom/Plastic  $\varnothing$ 8 x 16 mm x 2
<b>K)</b> Bumper/Silicone  $\varnothing$ 8 mm x 2	<b>L)</b> Floor Protector/Sponge/Felt  25 x 25 x 2 mm x 4	<b>M)</b> Screw/Metal  M 6.4 x 53 mm x 4	<b>N)</b> Divider wire/Metal  x 6	<b>O)</b> Screw Cap/Plastic  $\varnothing$ 15 mm x 5
<b>P)</b> x 1  Screwdriver (Not Include)				

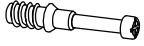

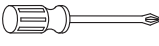
Components:



1	Top Board	x1	2	Bottom Board	x1	3	Side Board Left	x1	4	Side Board Right	x1
5	Assembly Leg	x2	6	Support Board 1	x2	7	Support Board 2	x2	8	Center Board	x1
9	Wooden Door	x1	10	Back Board	x1						

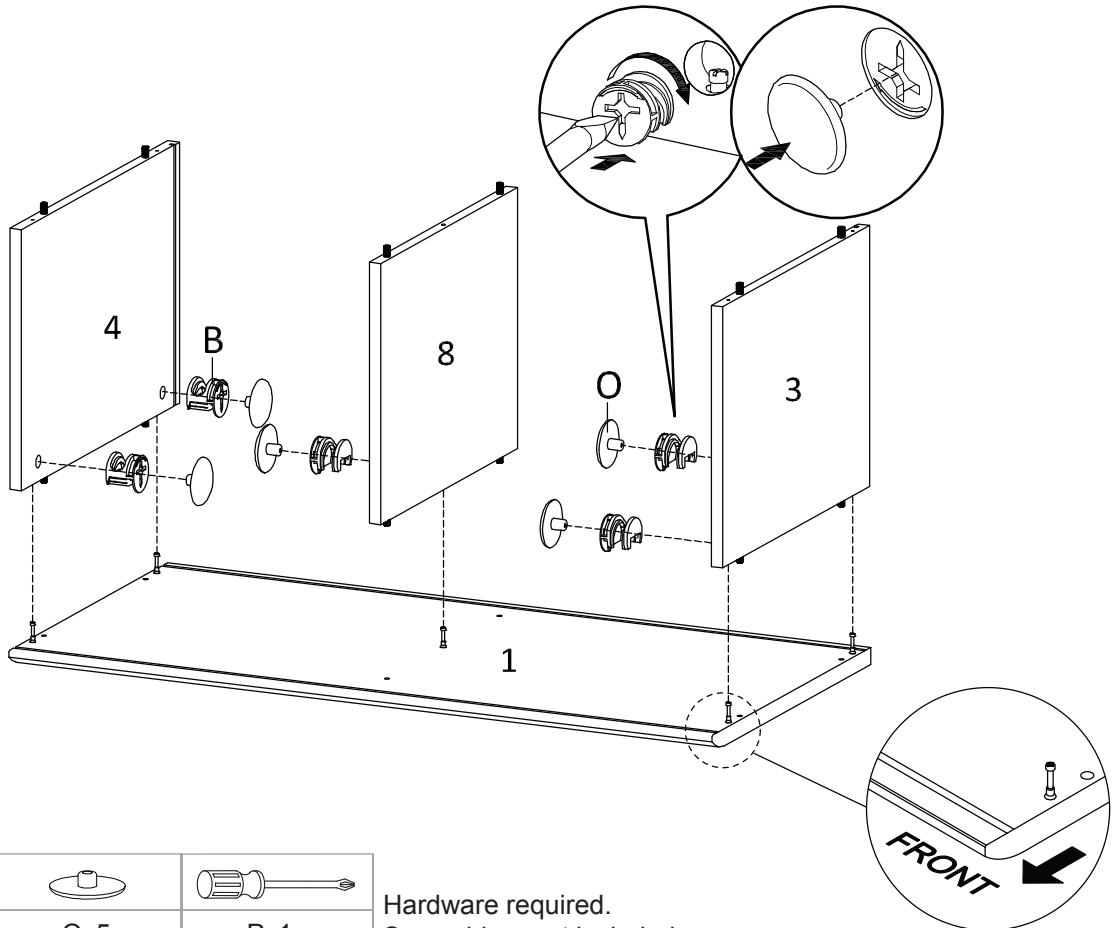
STEP 1:



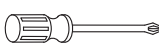


		
Ax5	Cx12	Px1

Hardware required.  
Screwdriver not included

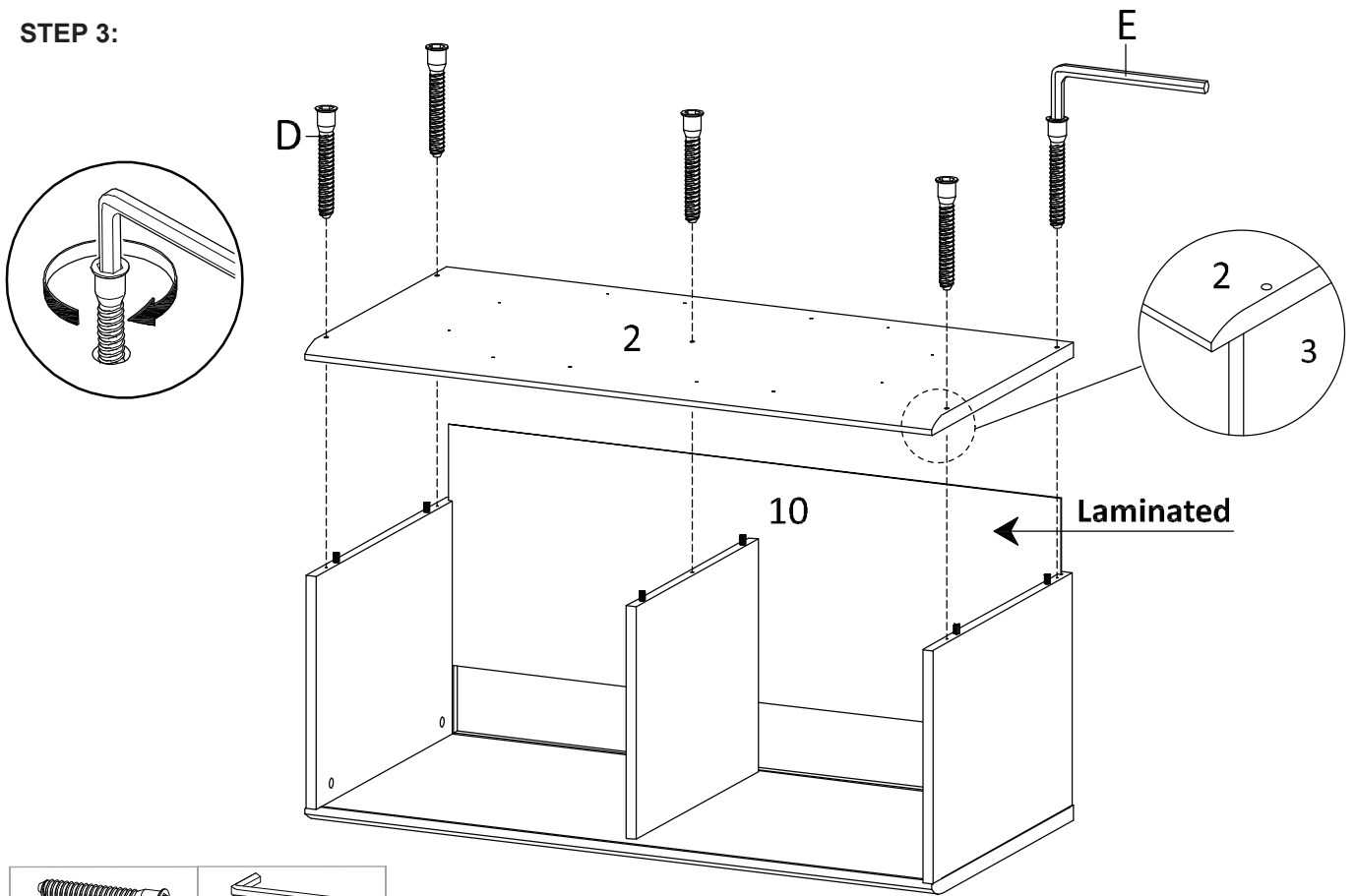
STEP 2:





		
Bx5	Ox5	Px1

Hardware required.  
Screwdriver not included

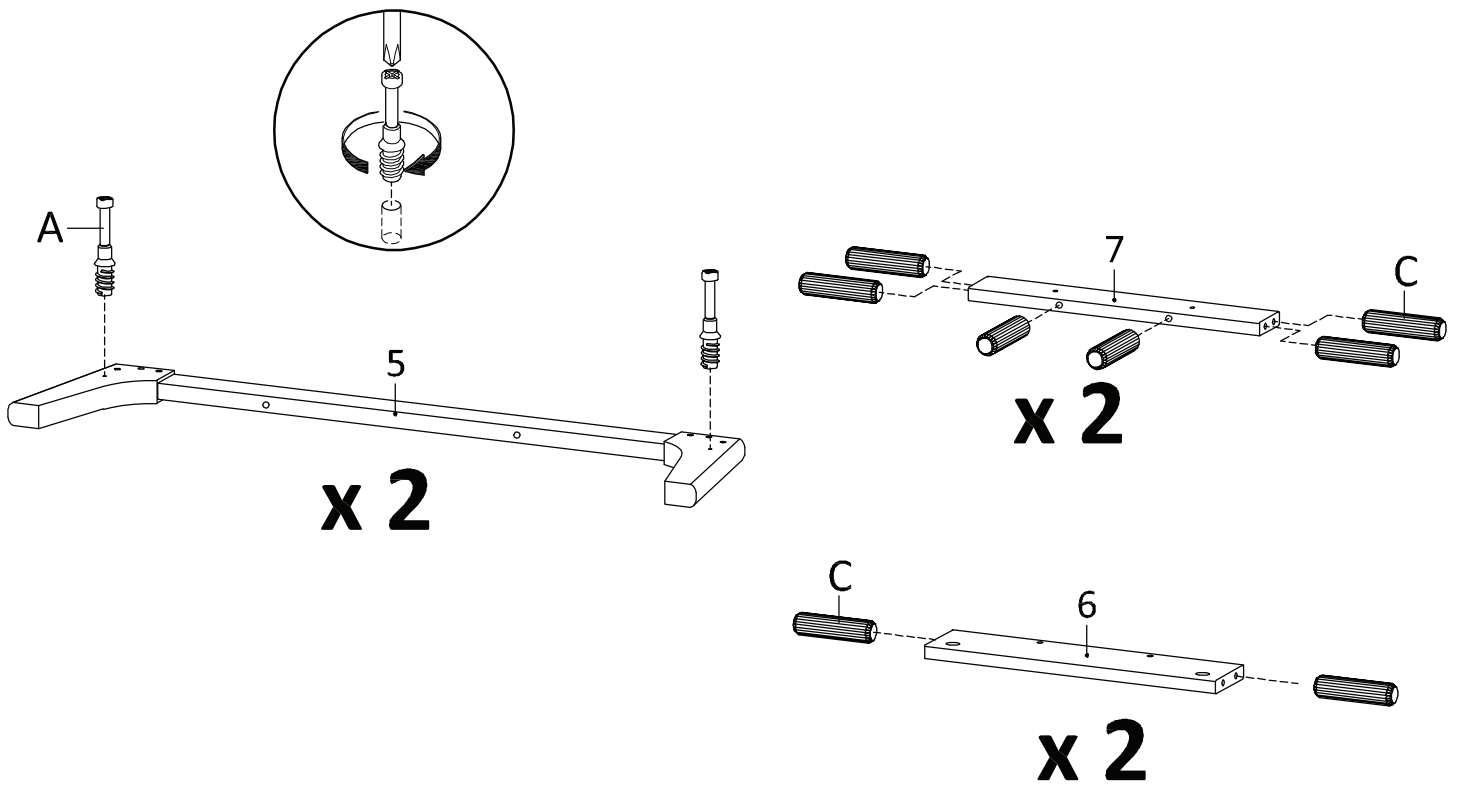
STEP 3:






	
Dx5	Ex1

Hardware required.

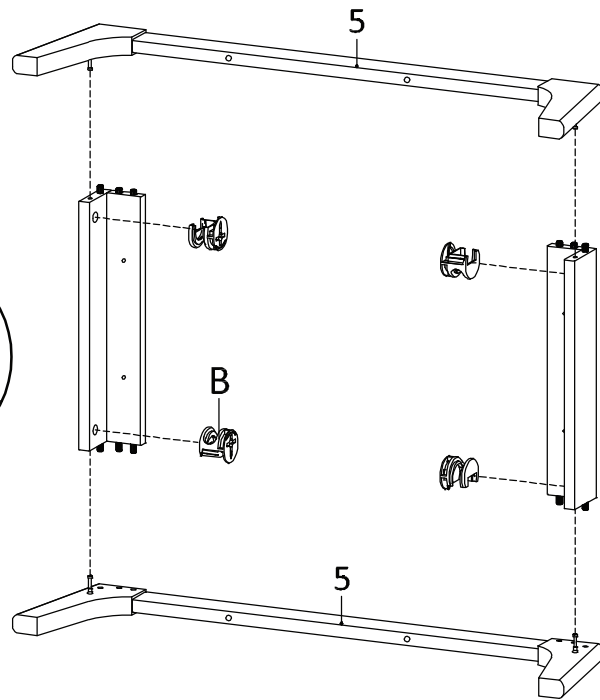
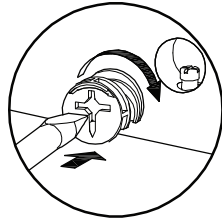
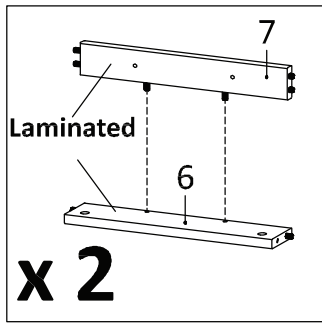
STEP 4:





		
Ax4	Cx16	Px1

Hardware required.  
Screwdriver not included

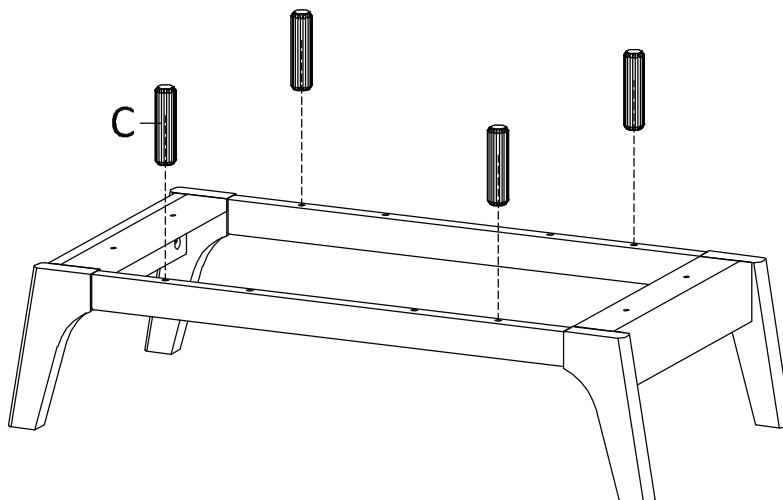
**STEP 5:**




	
Bx4	Px1

Hardware required.  
Screwdriver not included

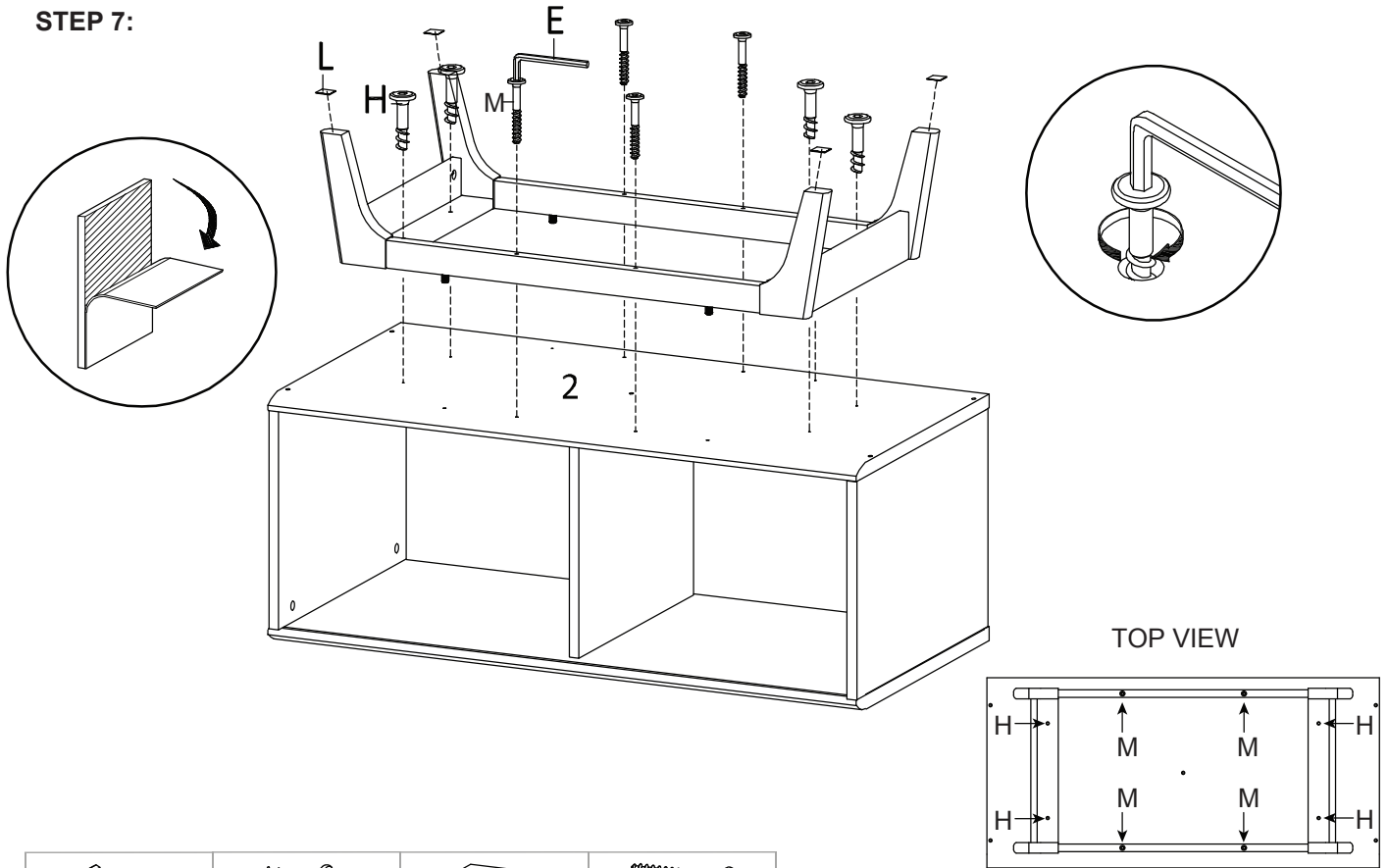
**STEP 6:**




Cx4

Hardware required.

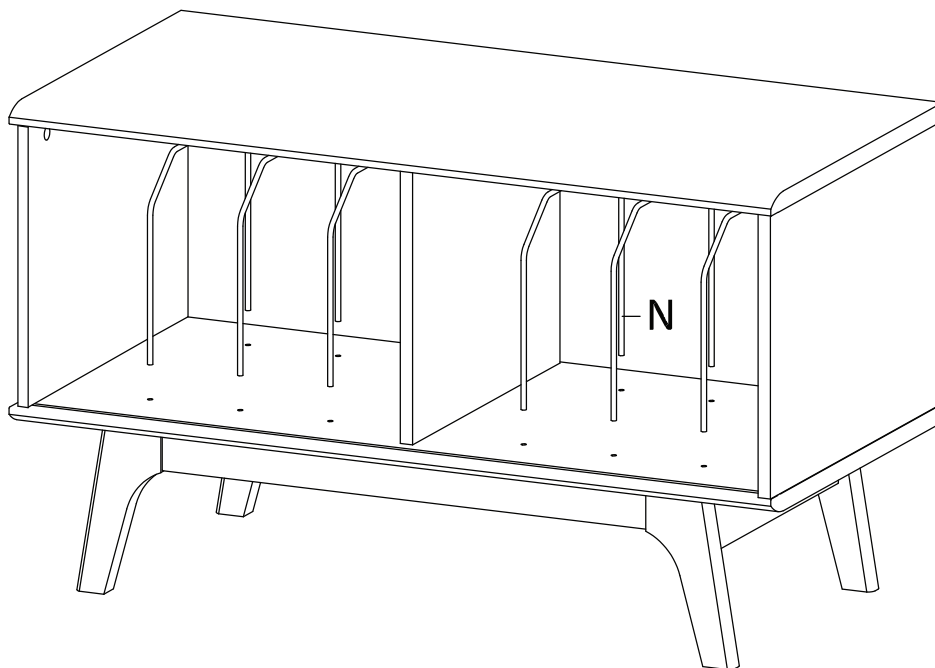
STEP 7:



E	Hx4	Lx4	Mx4

Hardware required.  
Screwdriver not included

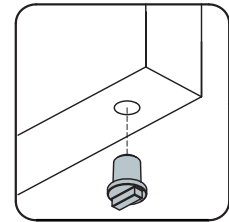
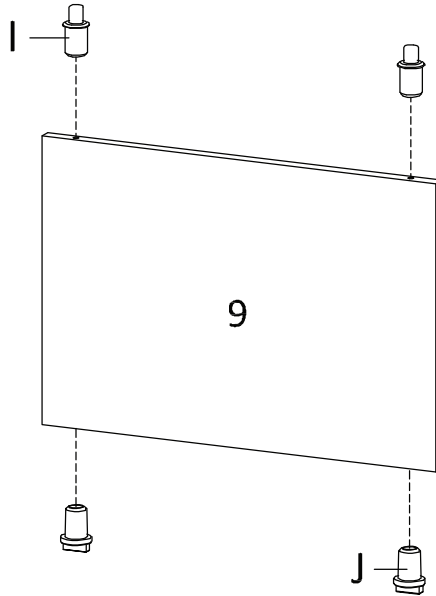
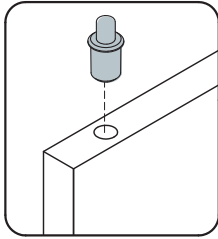
STEP 8:





Nx6

Hardware required.

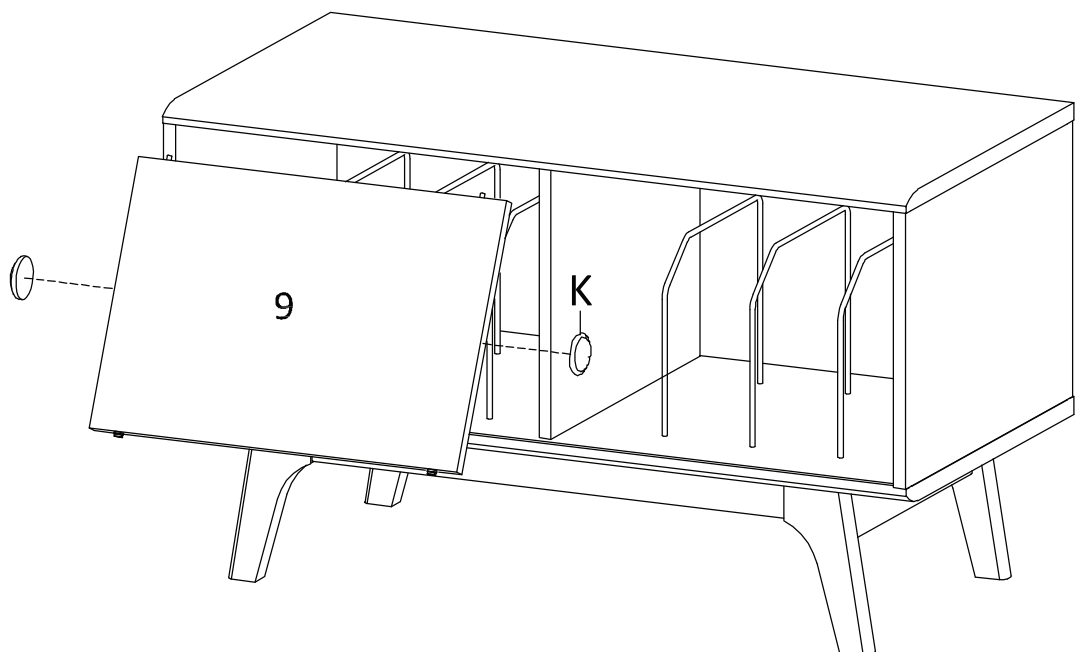
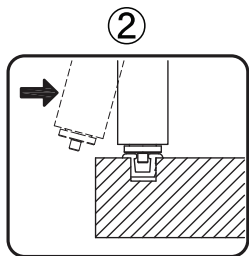
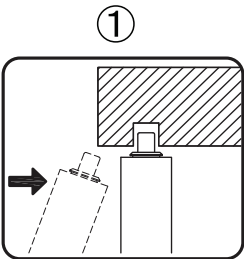
STEP 9:




	
Ix2	Jx2

Hardware required.

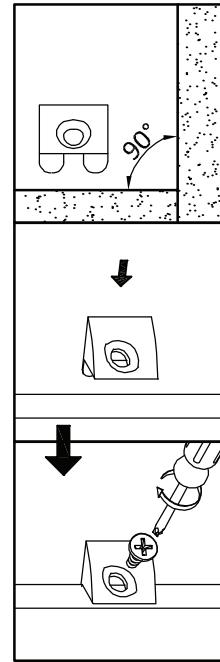
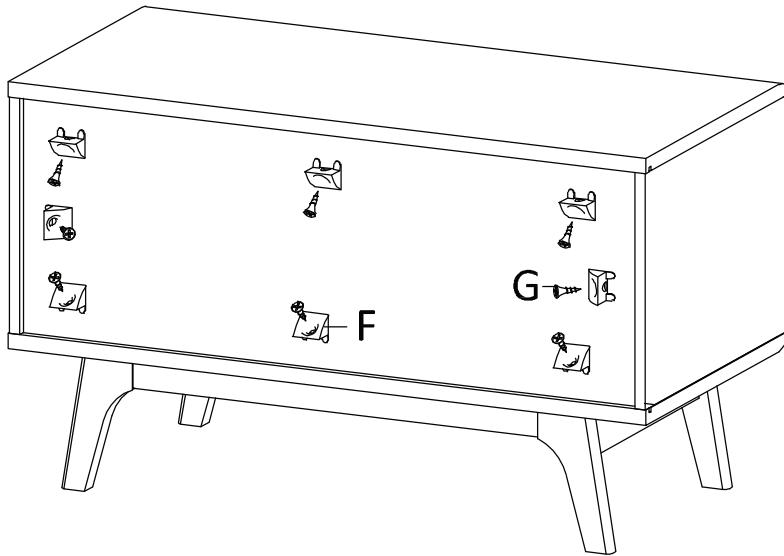
STEP 10:




Kx2

Hardware required.

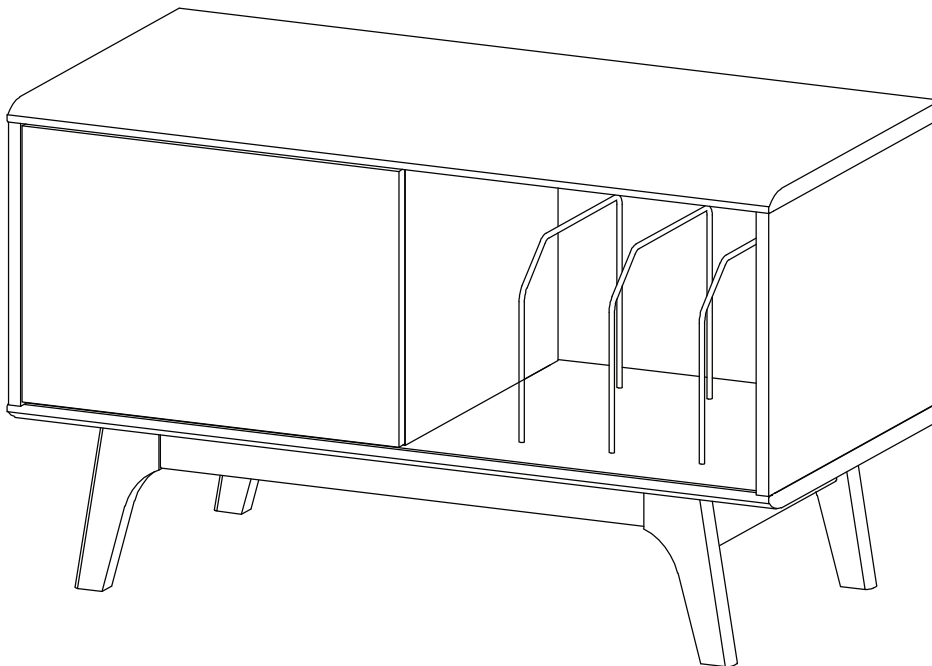
**STEP 11:**



Fx8	Gx8	Px1

Hardware required.  
Screwdriver not included

**STEP 12:**



**Assembly is complete. The Cabinet is ready to enjoy now !**