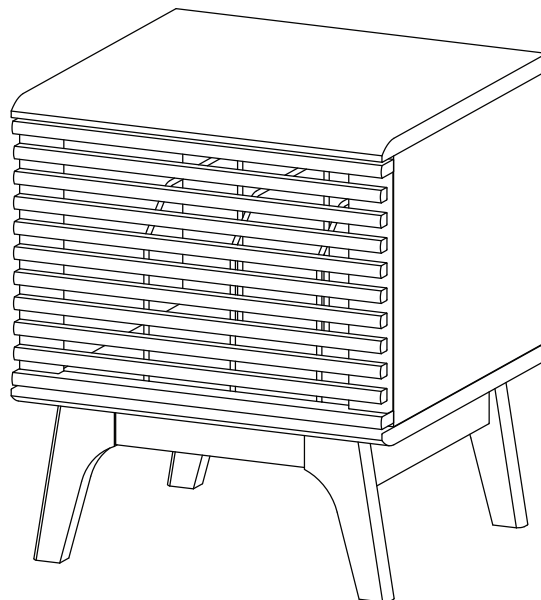


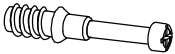


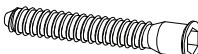





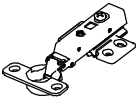




Thank you for purchasing the **MODWAY CABINET** !

Before you start, here are some helpful advice:

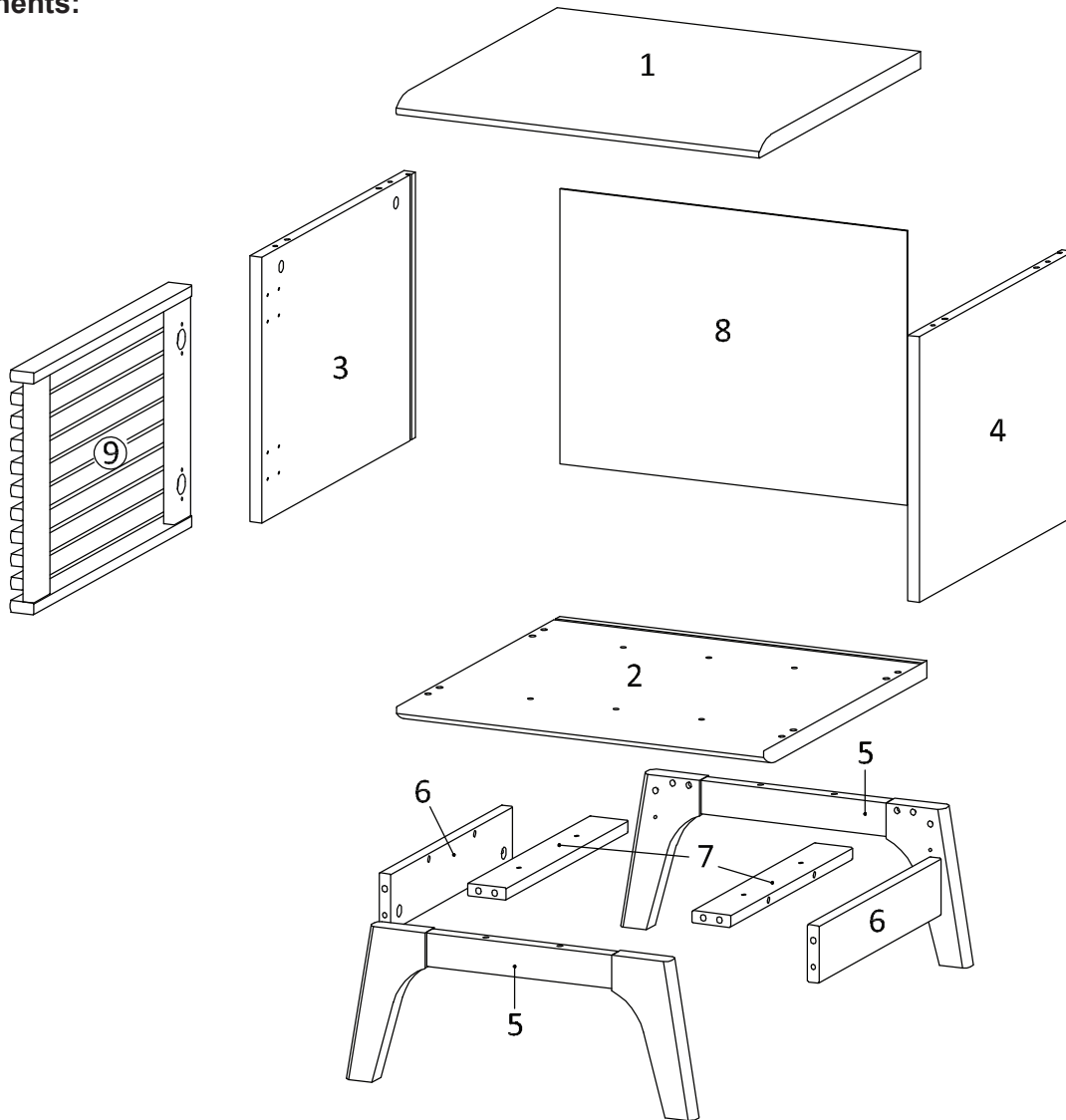
1. We suggest you spend a short time reading through this leaflet and then follow the simple step-by-step instructions.
2. Owing to the size and weight of the Cabinet, we recommend that it is assembled by two adults, on a carpeted or padded area, in the room that it is intended for. Approximate assembly time: 45 minutes.
3. Please do not use any tools other than those provided or recommended in these instructions.
4. Please do not throw away any of the packaging or instructions until you have checked all the components and hardware and the furniture is fully assembled.
5. Assemble all components loosely until advised to tighten. Depending on use, it may be necessary to tighten the components from time to time, so please save the tools that have been provided.
6. Please keep all pieces out of reach of children.



Hardware :

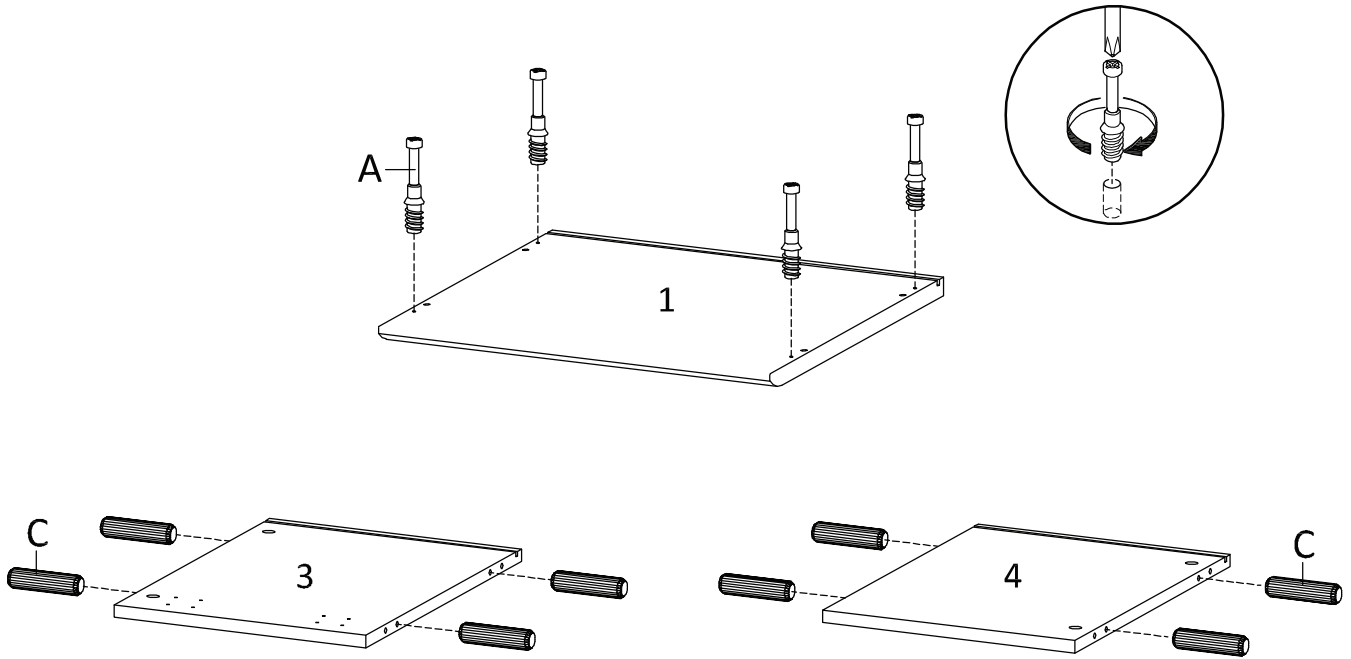
A) Cambolt/Metal  \varnothing 6 x 35 mm x 8	B) Camlock/Metal  \varnothing 15 mm x 8	C) Dowel/Wood  \varnothing 8 x 30 mm x 28	D) Screw/Metal  M 7 x 50 mm x 4	E) Hex/Allen key/Metal  L 4 x 1
F) Wedge/Plastic  9 x 14 x 10 mm x 4	G) Screw/Metal  M 3.5 x 15.5 mm x 4	H) Screw/Metal  M 6.4 x 25 mm x 4	I) Screw/Metal  M 4.5 x 12.5 mm x 12	J) Hinge/Metal  x 2
K) Floor Protector/Sponge/Felt  25 x 25 x 2 mm x 4	L) Divider wire/Metal  x 3	M) Screw Cap/Plastic  \varnothing 15 mm x 4	N) x 1  Screwdriver (Not Include)	

Components:

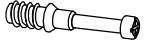

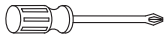


1	Top Board	x1	2	Bottom Board	x1	3	Side Board Left	x1	4	Side Board Right	x1
5	Assembly Leg	x2	6	Support Board 1	x2	7	Support Board 2	x2	8	Back Board	x1
9	Frame Door	x1									

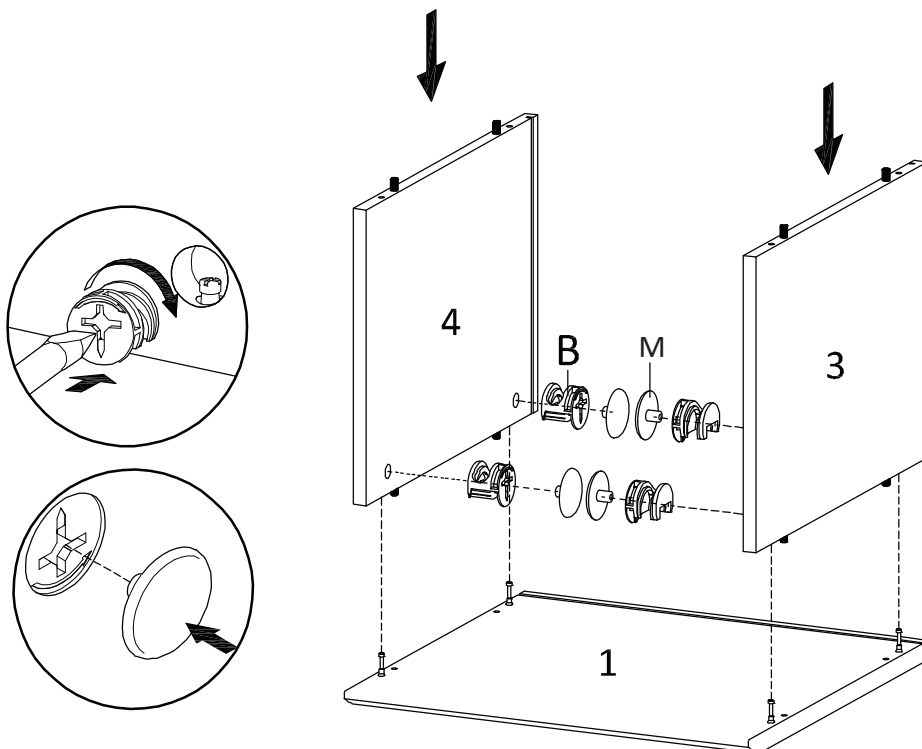
STEP 1:



Hardware required.
Screwdriver not included

		
Ax4	Cx8	Nx1

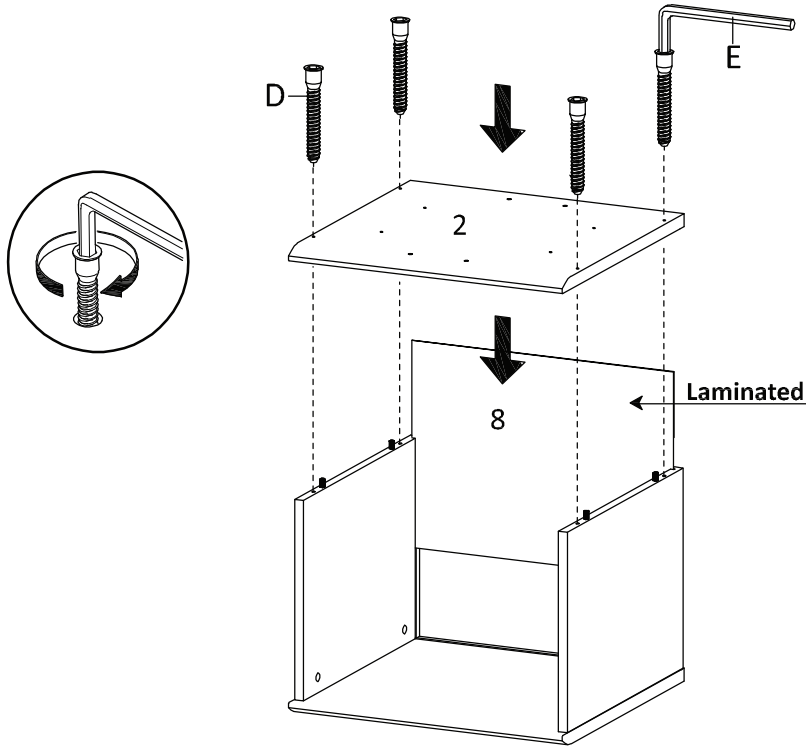
STEP 2:





		
Bx4	Mx4	Nx1

Hardware required.
Screwdriver not included

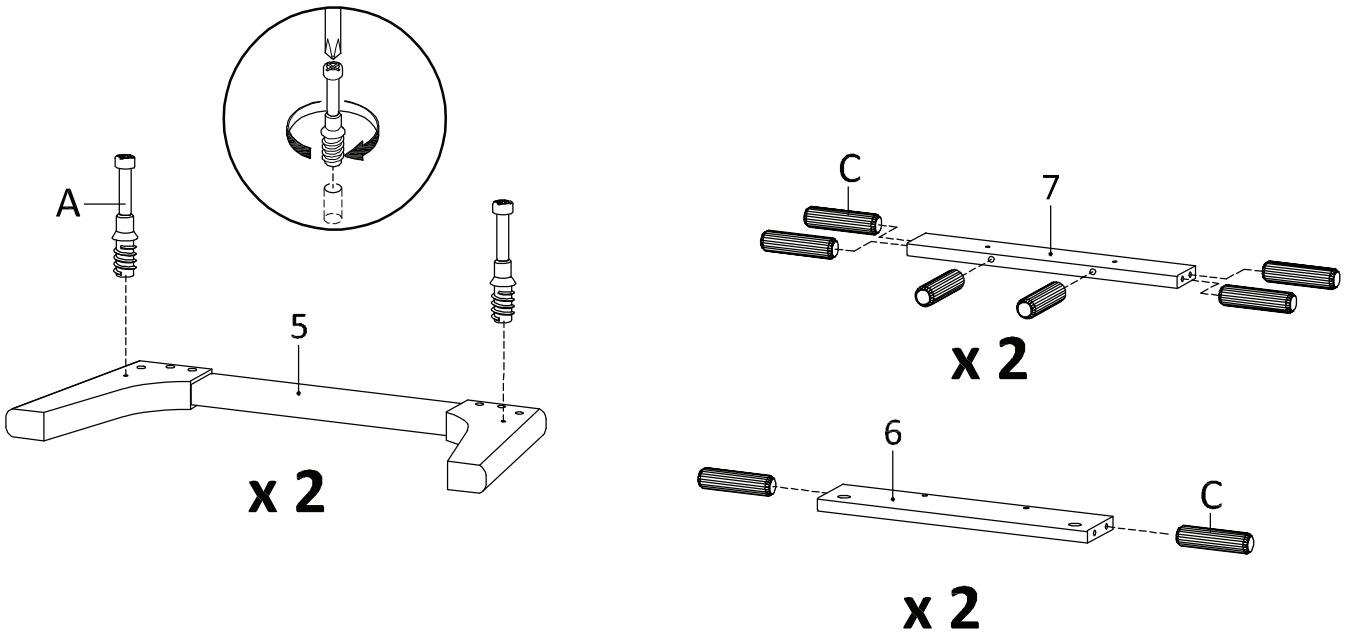
STEP 3:



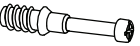


	
Dx4	Ex1

Hardware required.

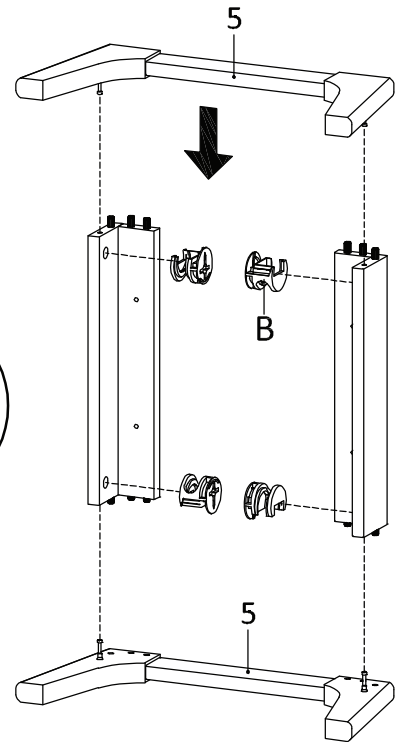
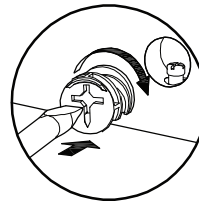
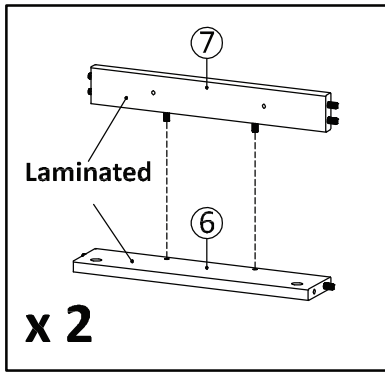
STEP 4:



Hardware required.
Screwdriver not included

		
Ax4	Cx16	Nx1

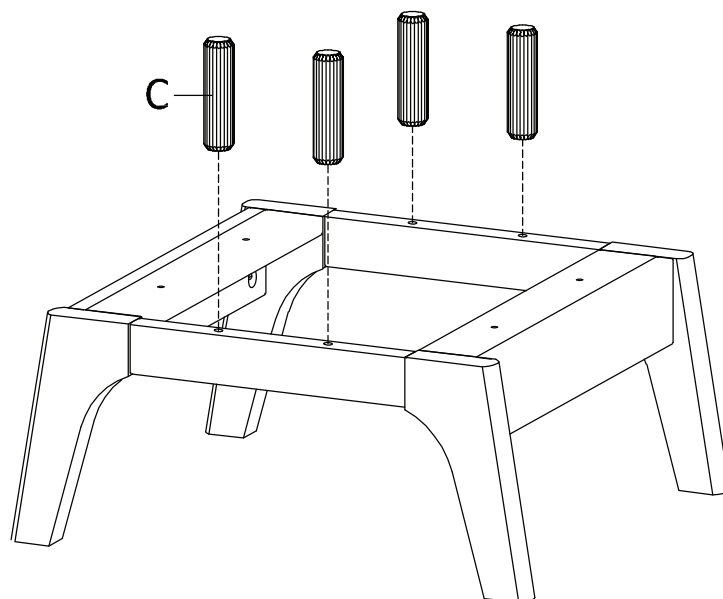
STEP 5:



Bx4	Nx1

Hardware required.
Screwdriver not included

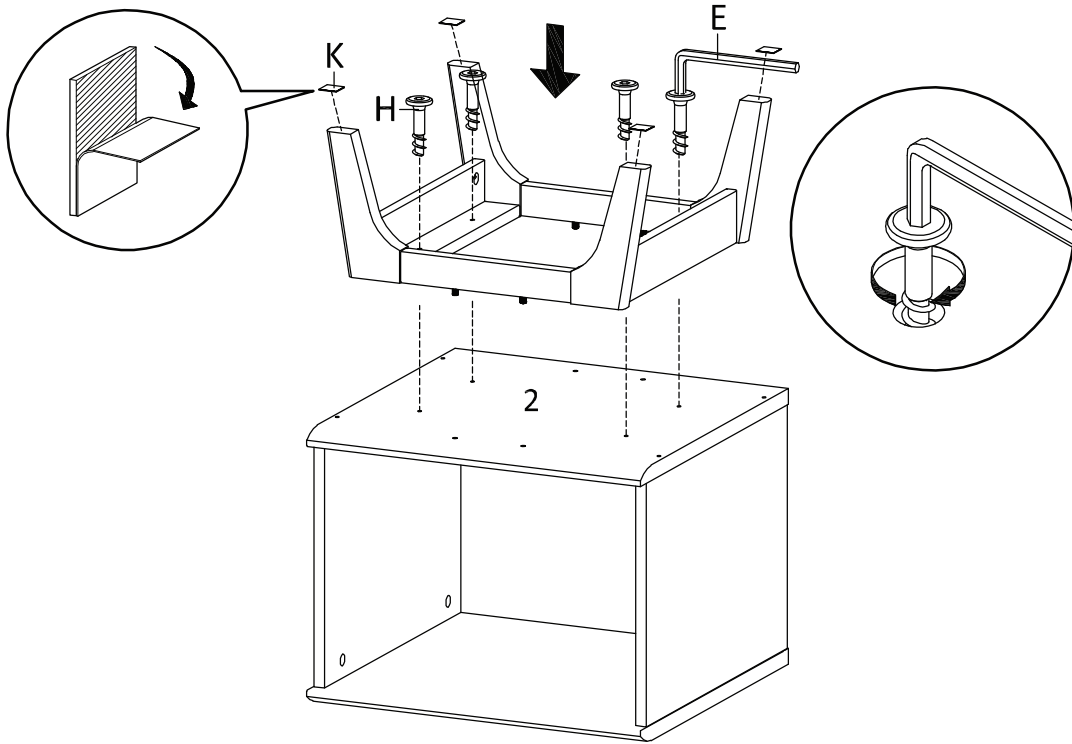
STEP 6:


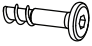



Cx4

Hardware required.

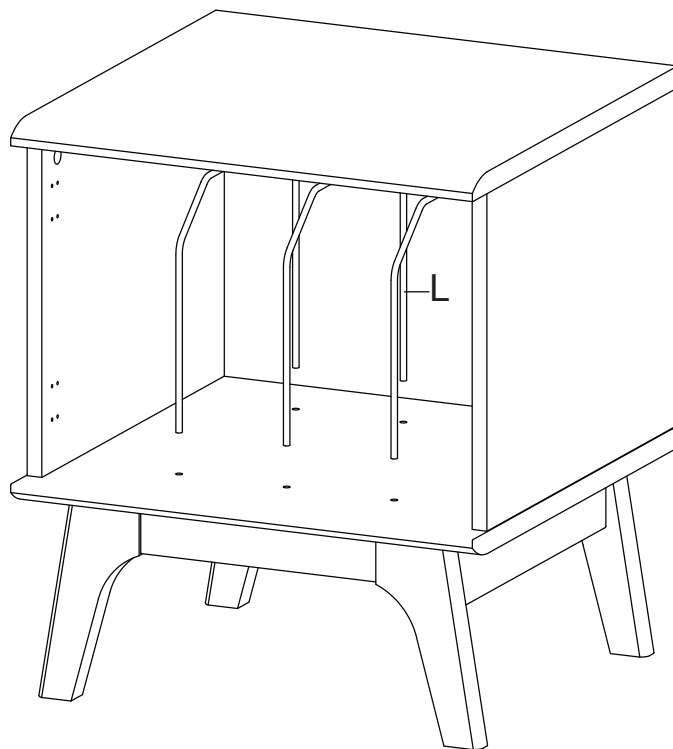
STEP 7:




		
E	Hx4	Kx4

Hardware required.

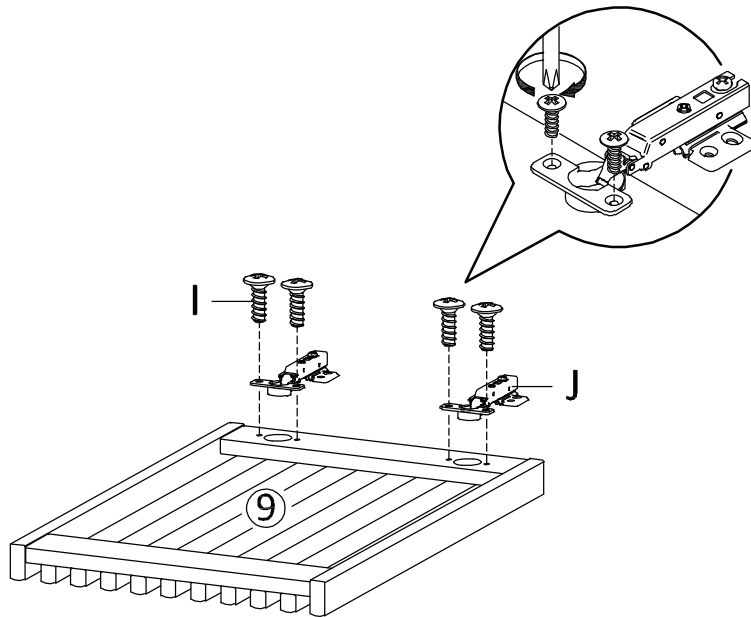
STEP 8:







Lx3

Hardware required.

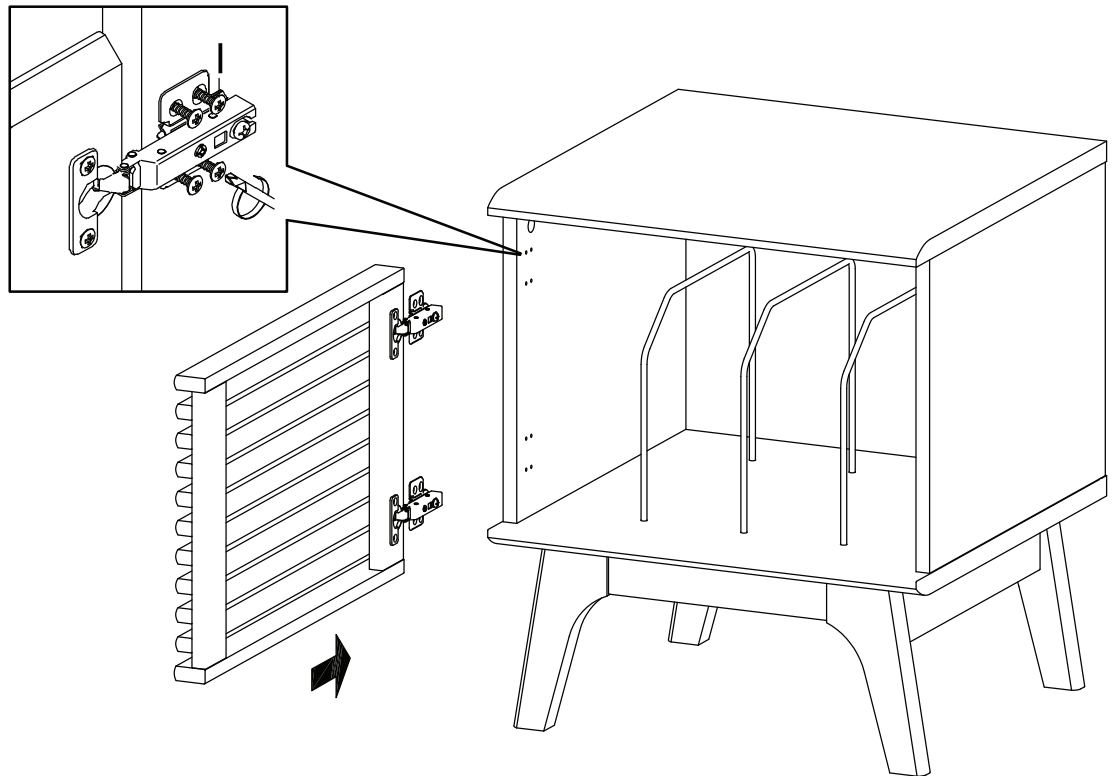
STEP 9:





		
Ix4	Jx2	Nx1

Hardware required.
Screwdriver not included

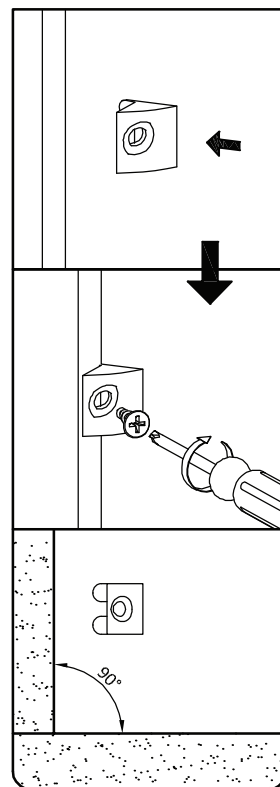
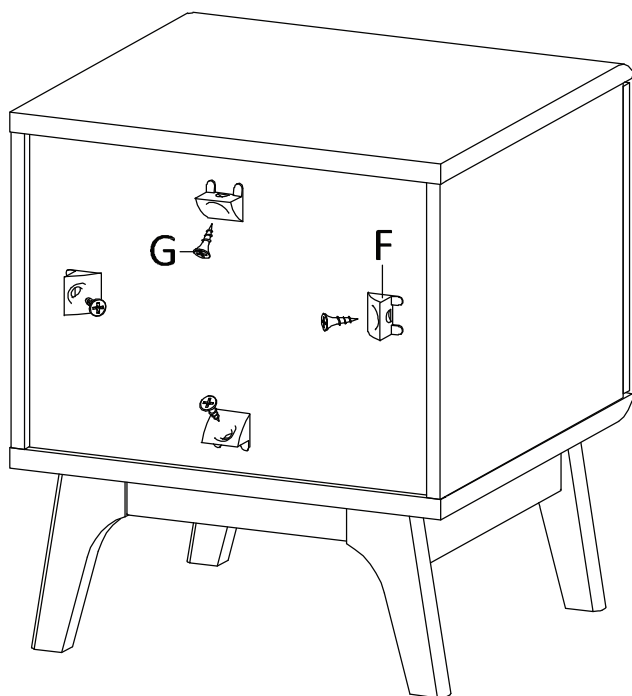
STEP 10:






	
Ix8	Nx1

Hardware required.
Screwdriver not included

STEP 11:



Hardware required.
Screwdriver not included

		
Fx4	Gx4	Nx1

STEP 12:



Assembly is complete. The Cabinet is ready to enjoy now !

