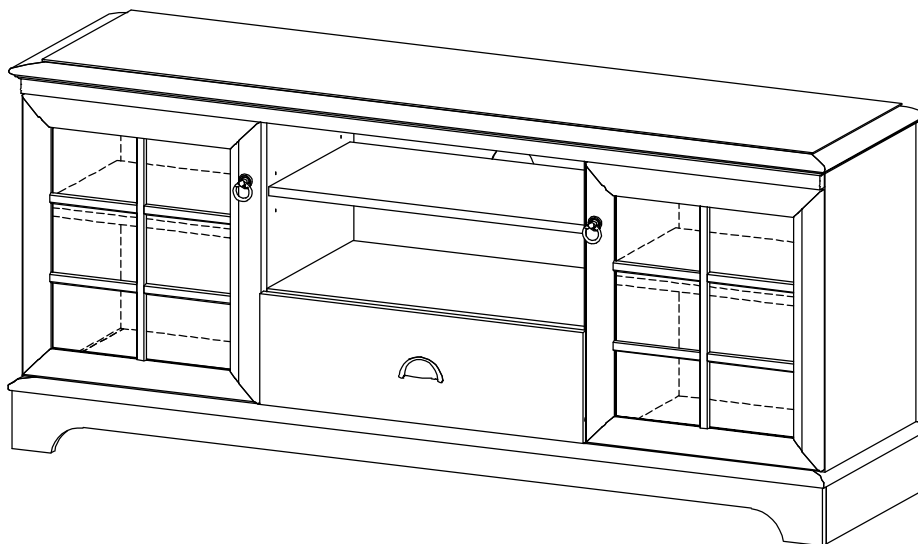


Thank you for purchasing the **MODWAY TV STAND** !

Before you start, here are some helpful advice:

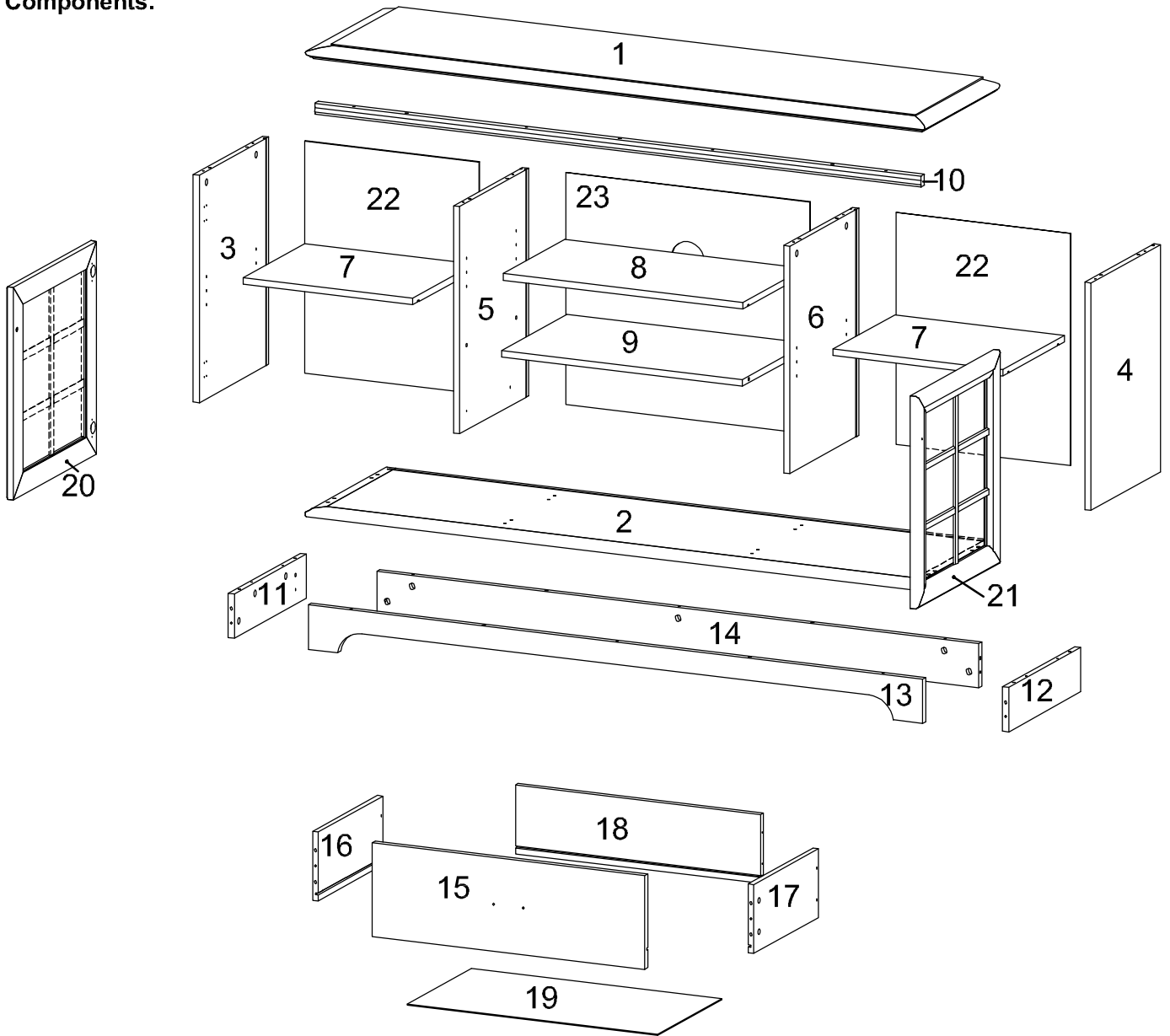
1. We suggest you spend a short time reading through this leaflet and then follow the simple step-by-step instructions.
2. Owing to the size and weight of the Tv Stand, we recommend that it is assembled by two adults, on a carpeted or padded area, in the room that it is intended for. Approximate assembly time: 60 minutes.
3. Please do not use any tools other than those Provided or recommended in these instructions.
4. Please do not throw away any of the packaging or instructions until you have checked all the components and hardware and the furniture is fully assembled.
5. Assemble all components loosely until advised to tighten. Depending on use, it may be necessary to tighten the components from time to time, so please save the tools that have been provided.
6. Please keep all pieces out of reach of children.



## Hardware :

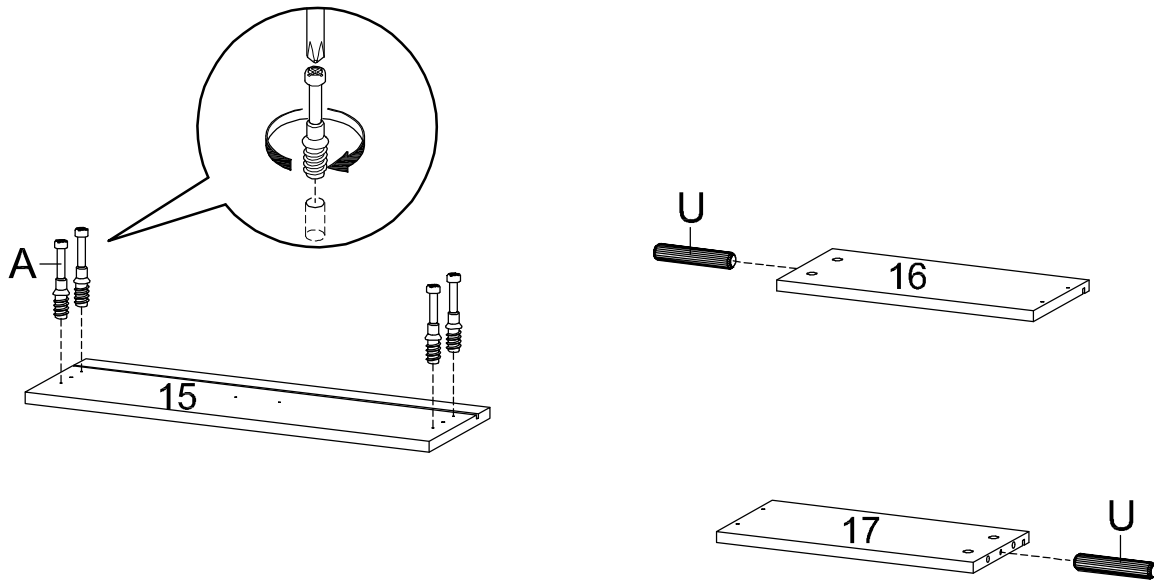
<b>A)</b> Cambolt Big/Metal  $\varnothing$ 6 x 35 mm x 26	<b>B)</b> CamLock Big /Metal  $\varnothing$ 15 mm x 22	<b>C)</b> Dowel Big /Wood  $\varnothing$ 8x30 mm x 35	<b>D)</b> Screw/Metal  M 7 x 50 mm x 8	<b>E)</b> Hex/Allen Key/Metal  L 4 x 1
<b>F)</b> Hinge set/Metal  x 4	<b>G)</b> Screw/Metal  M 4.5 x 12.5 mm x 24	<b>H)</b> Shelf Pin/Metal  $\varnothing$ 5 x 15 mm x 12	<b>I)</b> Rail/Metal  x 1	<b>J)</b> Screw/Metal  M 6.5 x 10.5 mm x 4
<b>K)</b> Screw/Metal  M 3.5 x 13 mm x 6	<b>L)</b> Screw/Metal  M 8 x 39 mm x 4	<b>M)</b> CamLock Small /Metal  $\varnothing$ 12 mm x 4	<b>N)</b> Handle/Metal  x 1	<b>O)</b> Handle/Metal  x 2
<b>P)</b> Screw/Metal  M 4 x 20 mm x 4	<b>Q)</b> Screw/Metal  M 12 x 35 mm x 4	<b>R)</b> Wedge/Plastic  x 22	<b>S)</b> Screw/Metal  M 3.5 x 15.5 mm x 22	<b>T)</b> Screw Cap/Plastic  $\varnothing$ 15 mm x 8
<b>U)</b> Dowel Small/Wood  $\varnothing$ 6x30 mm x 4	<b>V)</b> Screwdriver (Not Include)  x 1			



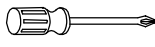
Components:



1 Top Board	x1	2 Bottom Board	x1	3 Side Board Left	x1	4 Side Board Right	x1
5 Center Board Left	x1	6 Center Board Right	x1	7 Adjustable Shelf 1	x2	8 Adjustable Shelf 2	x1
9 Fixed Shelf	x1	10 Front Skirt	x1	11 Support Leg 1	x1	12 Support Leg 2	x1
13 Bottom Skirt 1	x1	14 Bottom Skirt 2	x1	15 Front Drawer	x1	16 Side Drawer Left	x1
17 Side Drawer Right	x1	18 Back Drawer	x1	19 Bottom Drawer	x1	20 Frame Door Left	x1
21 Frame Door Right	x1	22 Back Board 1	x2	23 Back Board 2	x1		

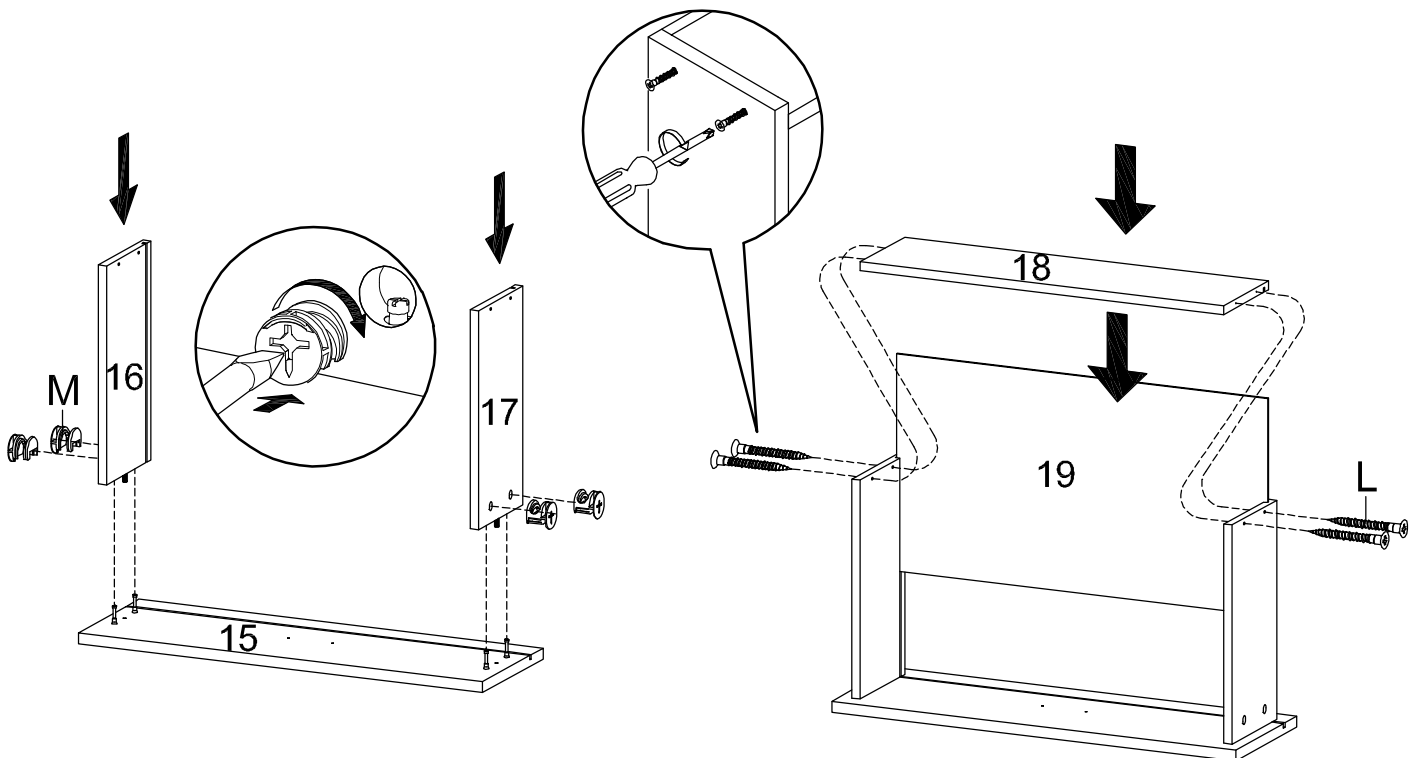
STEP 1:



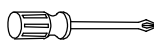


		
A x 4	U x 2	V x 1

Hardware required.  
Screwdriver not included

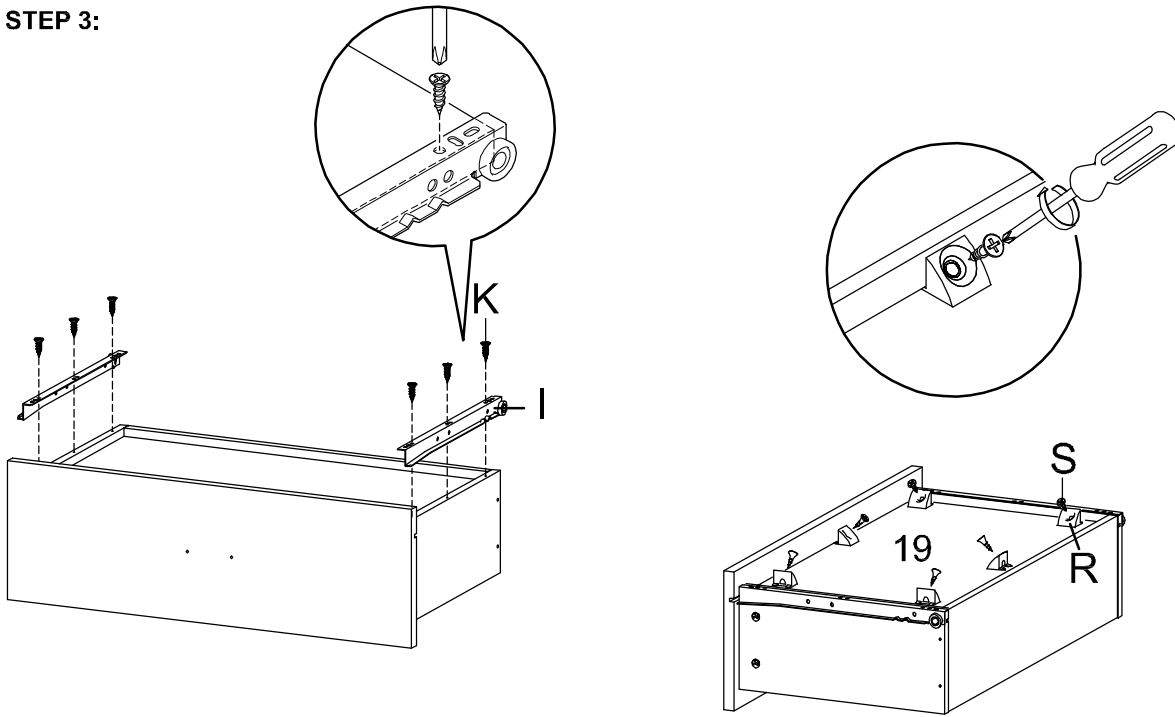
STEP 2:



		
L x 4	M x 4	V x 1

Hardware required.  
Screwdriver not included

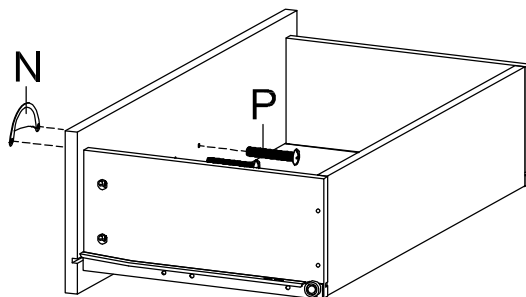
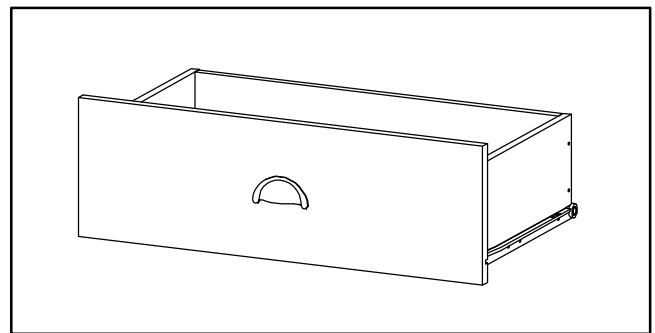
STEP 3:



Hardware required.  
Screwdriver not included

I x 1	K x 6	R x 6	S x 6	V x 1

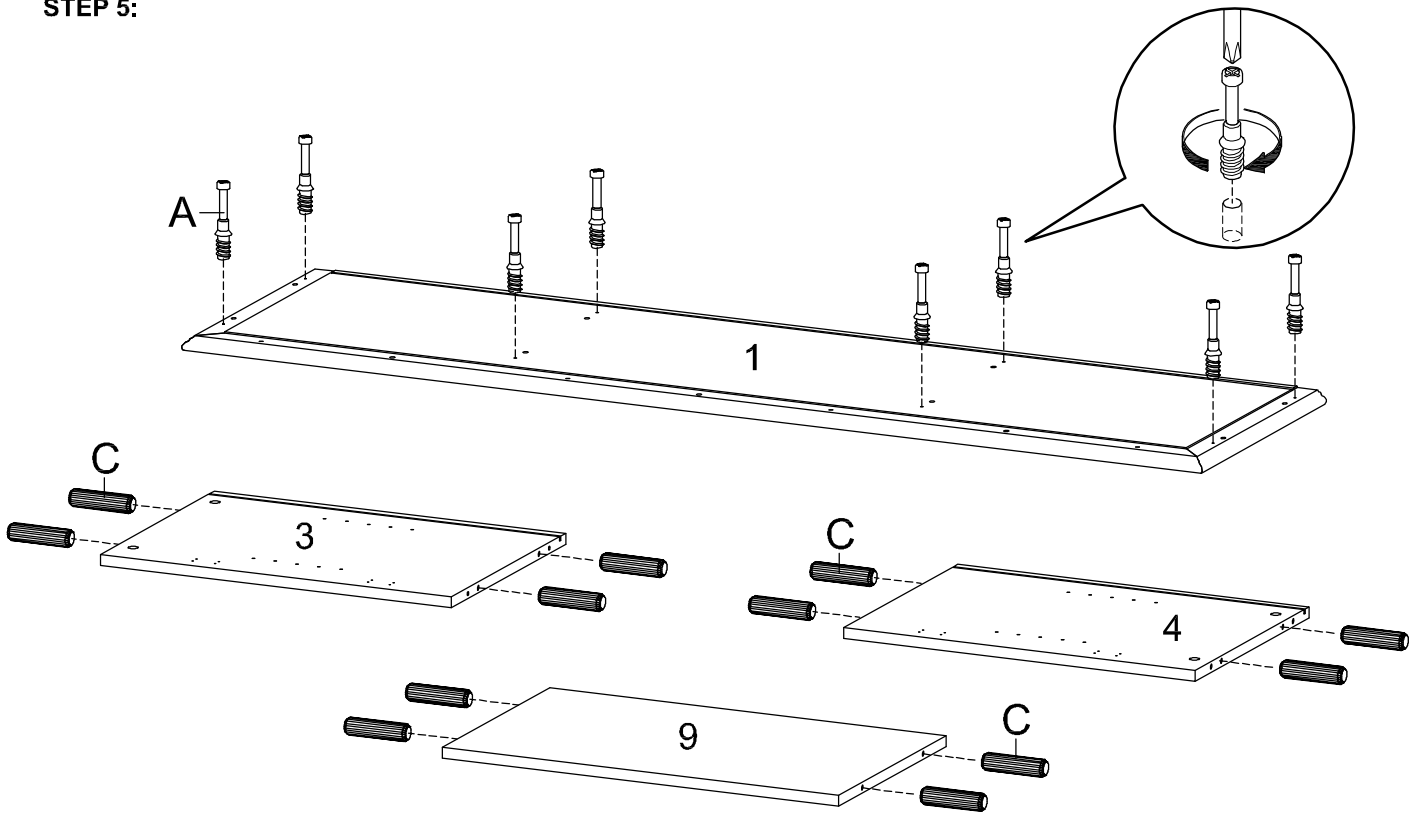
STEP 4:



N x 1	P x 2	V x 1

Hardware required.  
Screwdriver not included

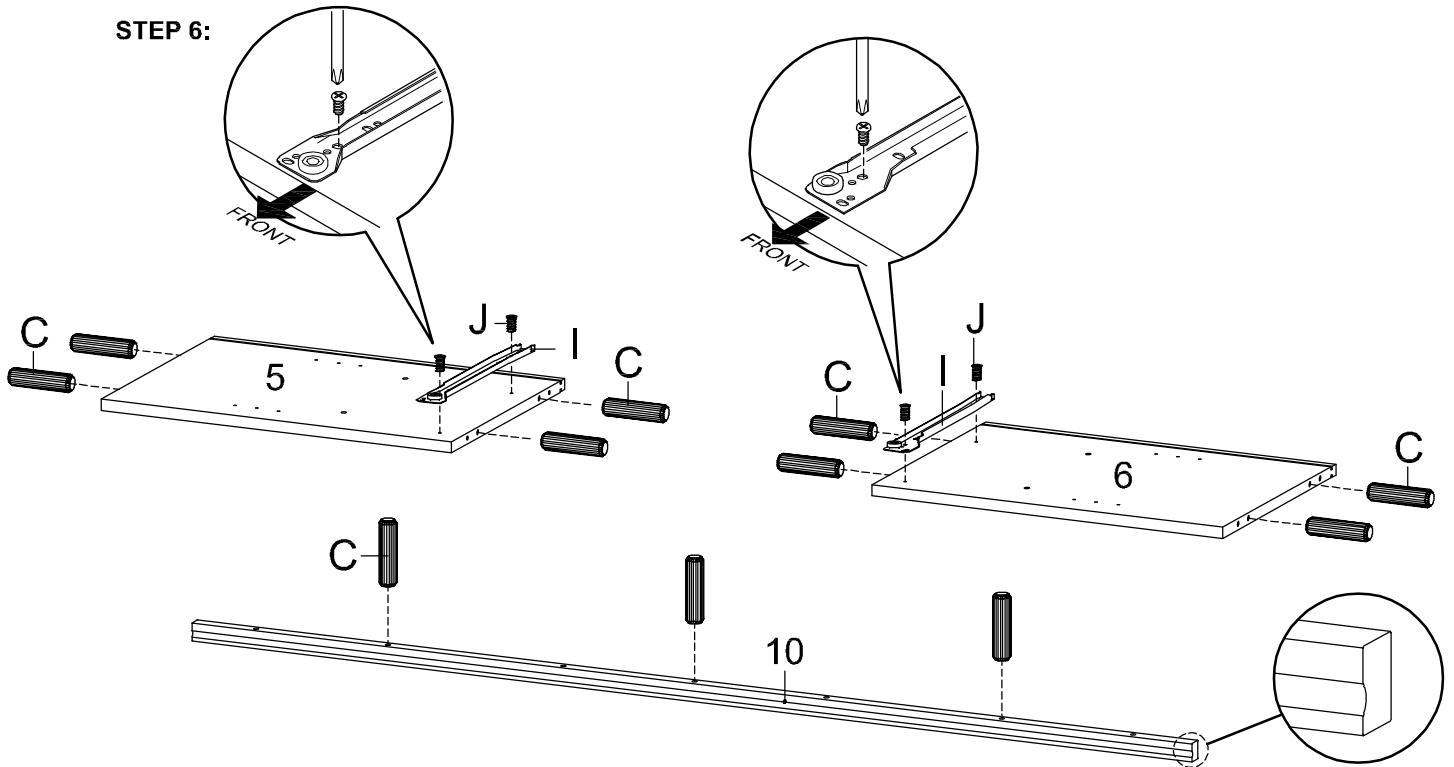
STEP 5:



A x 8	C x 12	V x 1

Hardware required.  
Screwdriver not included

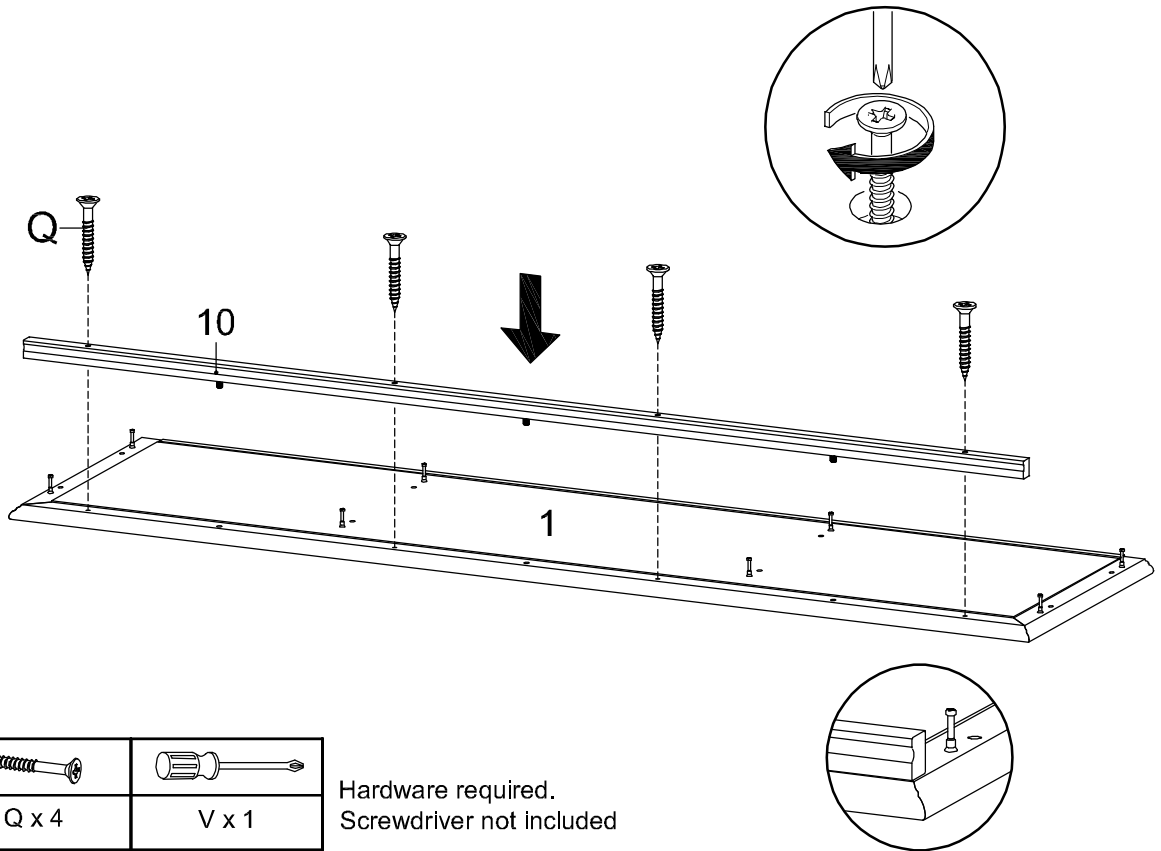
STEP 6:



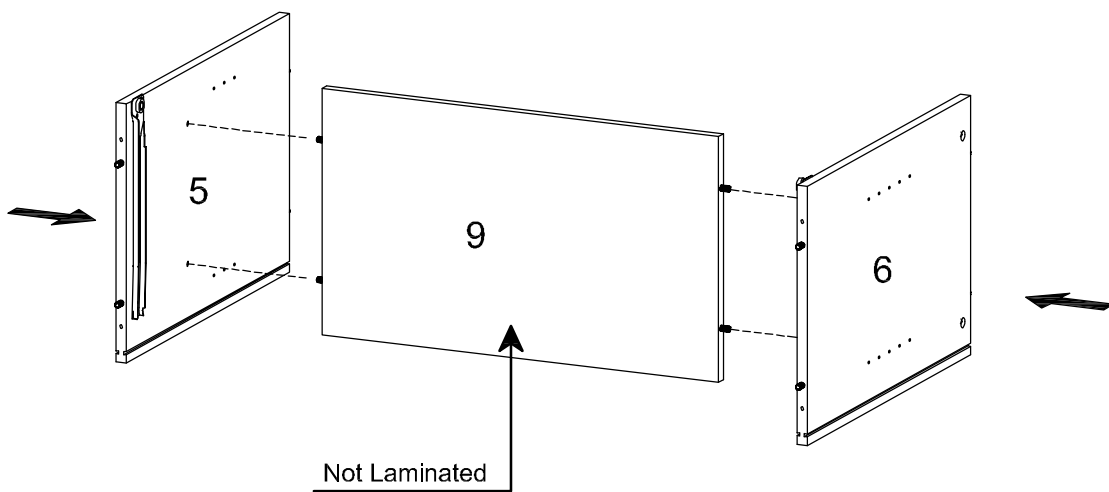
C x 11	I x 1	J x 4	V x 1

Hardware required.  
Screwdriver not included

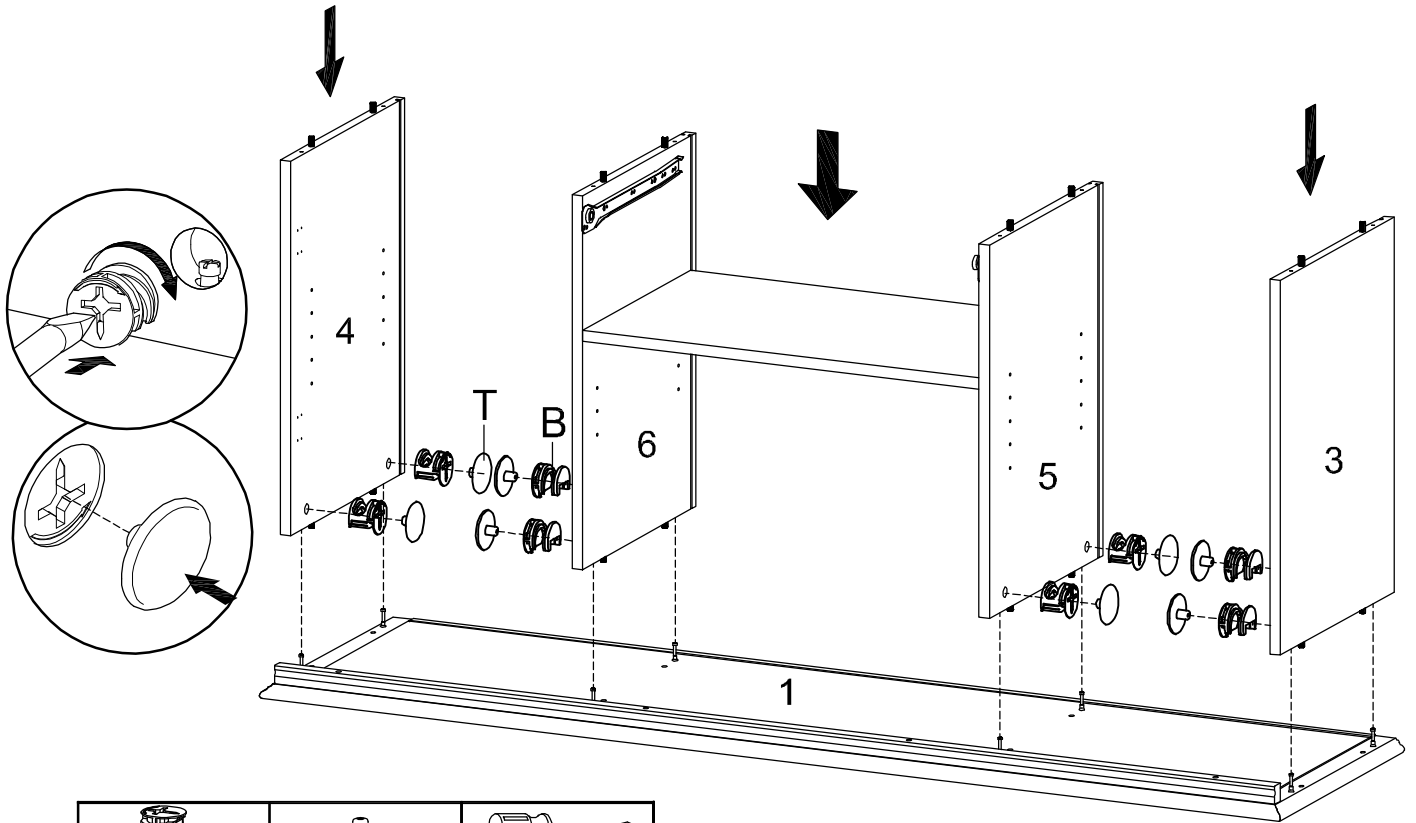
STEP 7:



STEP 8:



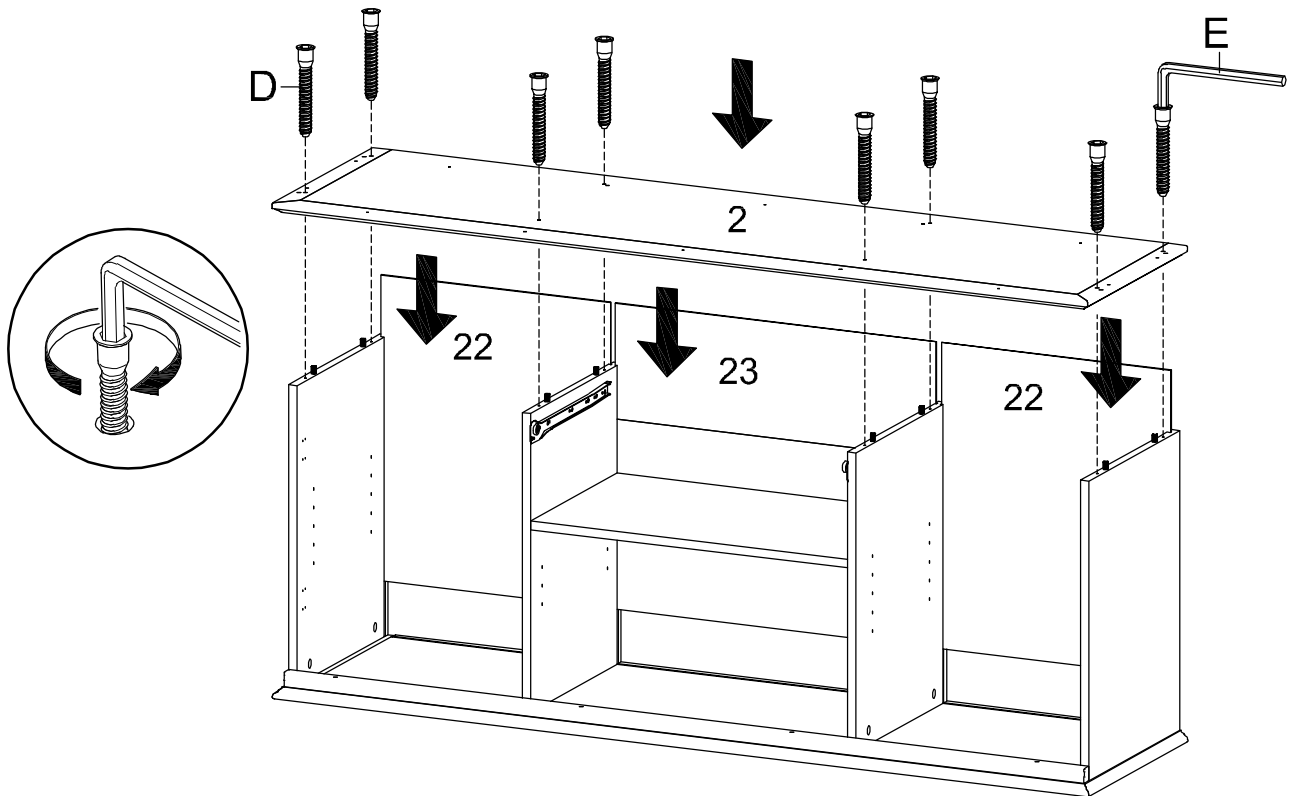
STEP 9:



B x 8	T x 8	V x 1

Hardware required.  
Screwdriver not included

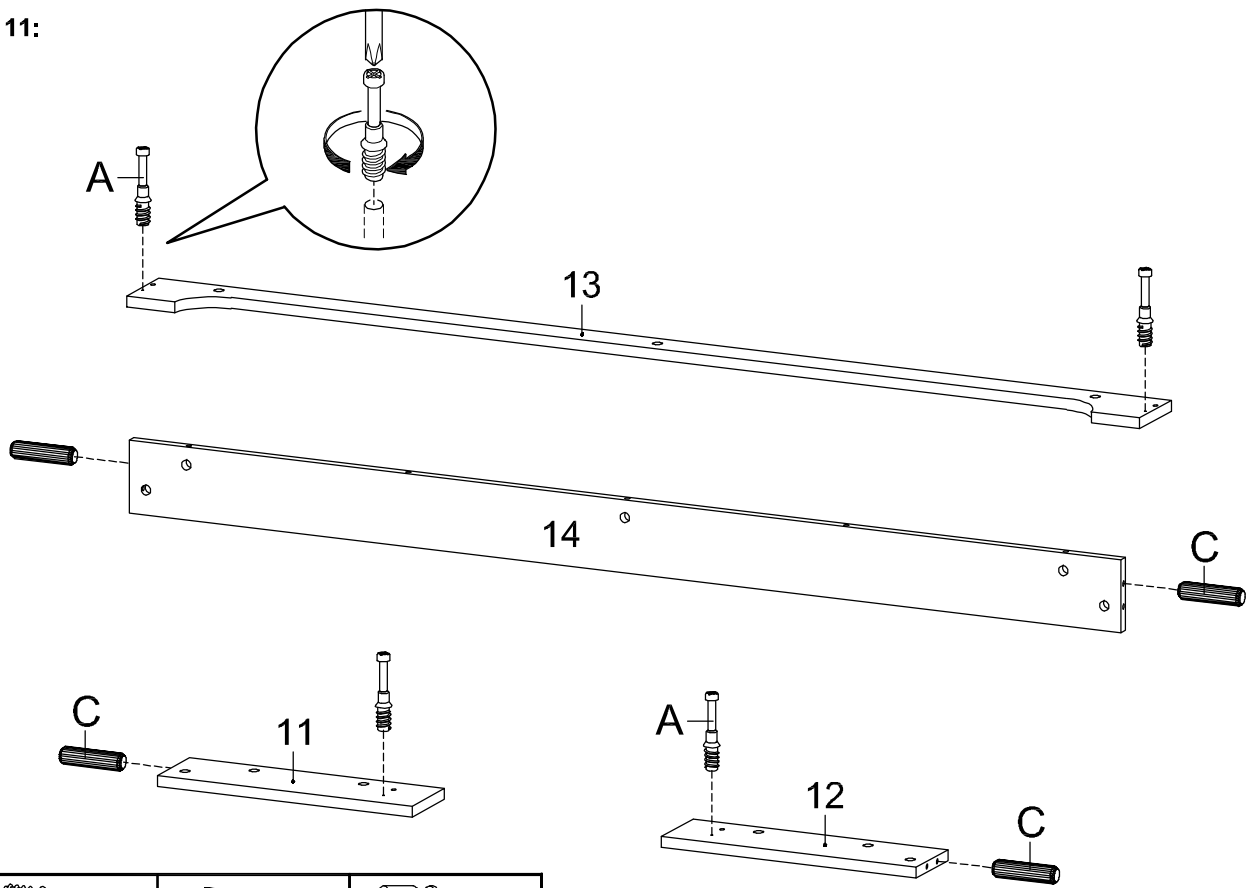
STEP 10:



D x 8	E x 1

Hardware required.

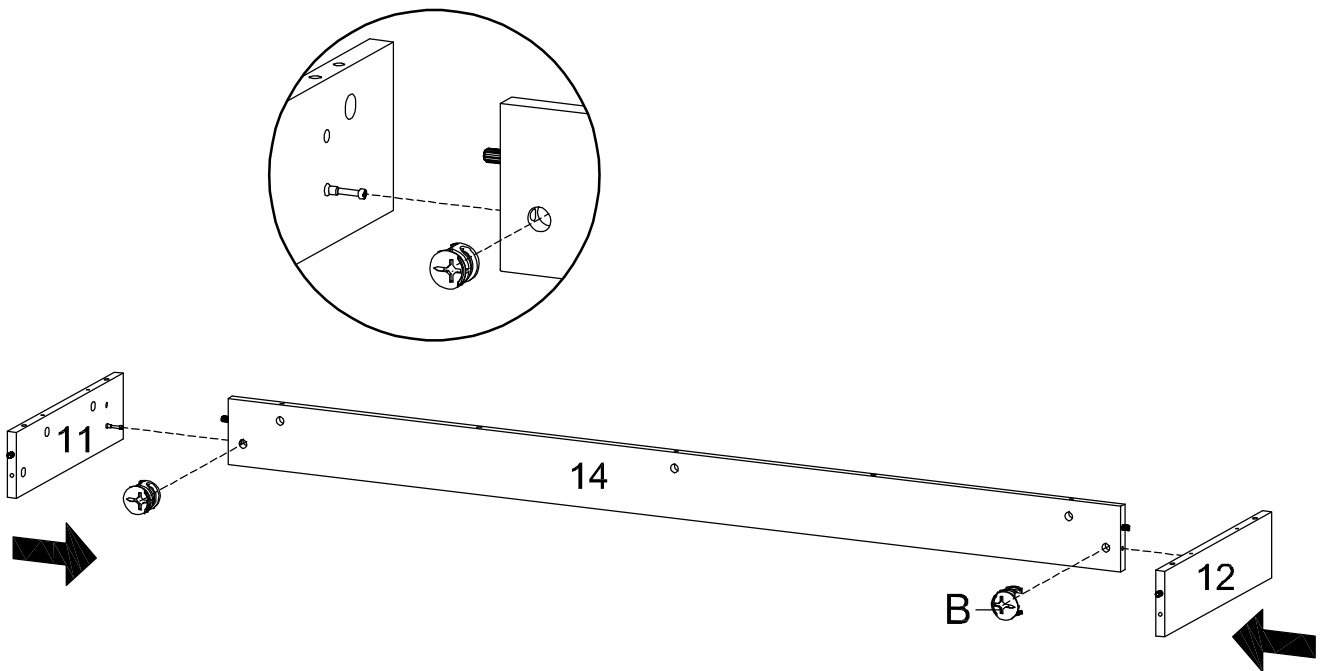
STEP 11:



A x 4	C x 4	V x 1

Hardware required.  
Screwdriver not included

STEP 12:

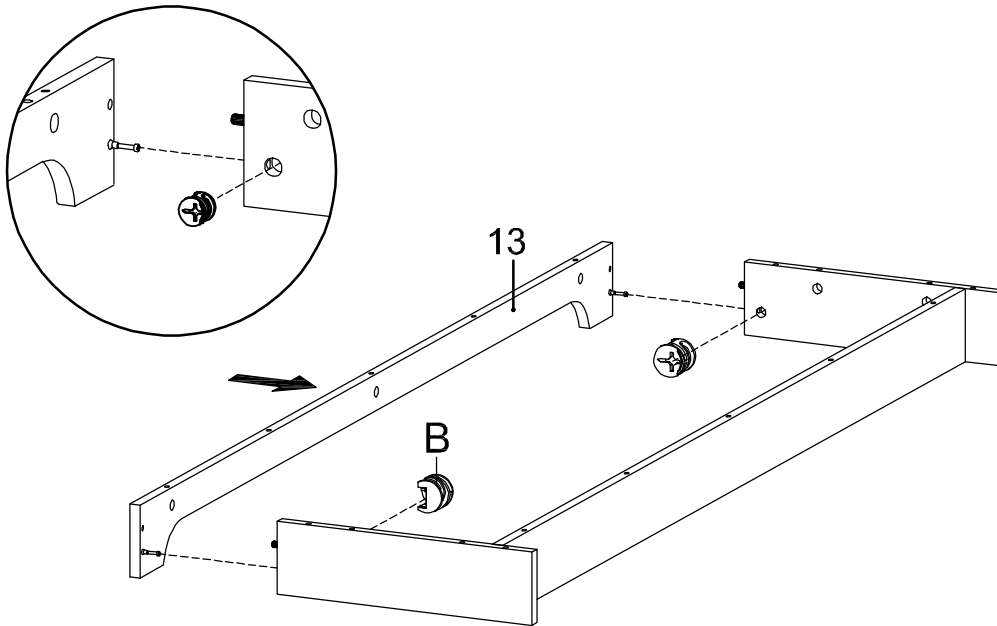



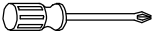
B x 2	V x 1

Hardware required.  
Screwdriver not included



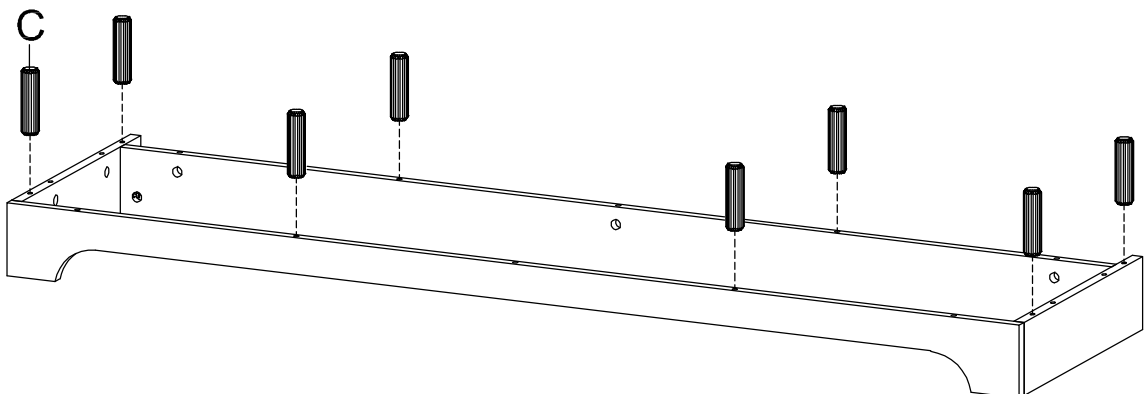
STEP 13:




	
B x 2	V x 1

Hardware required.  
Screwdriver not included

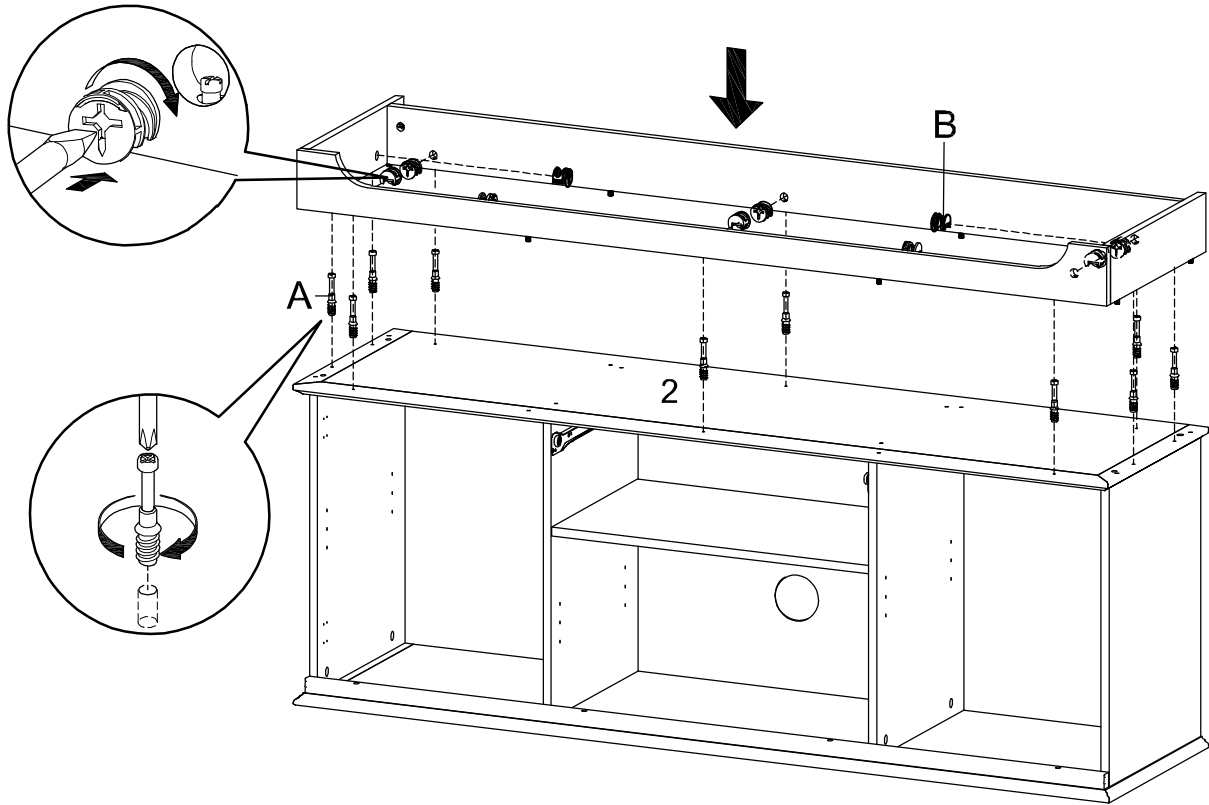
STEP 14:



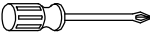



C x 8

Hardware required.

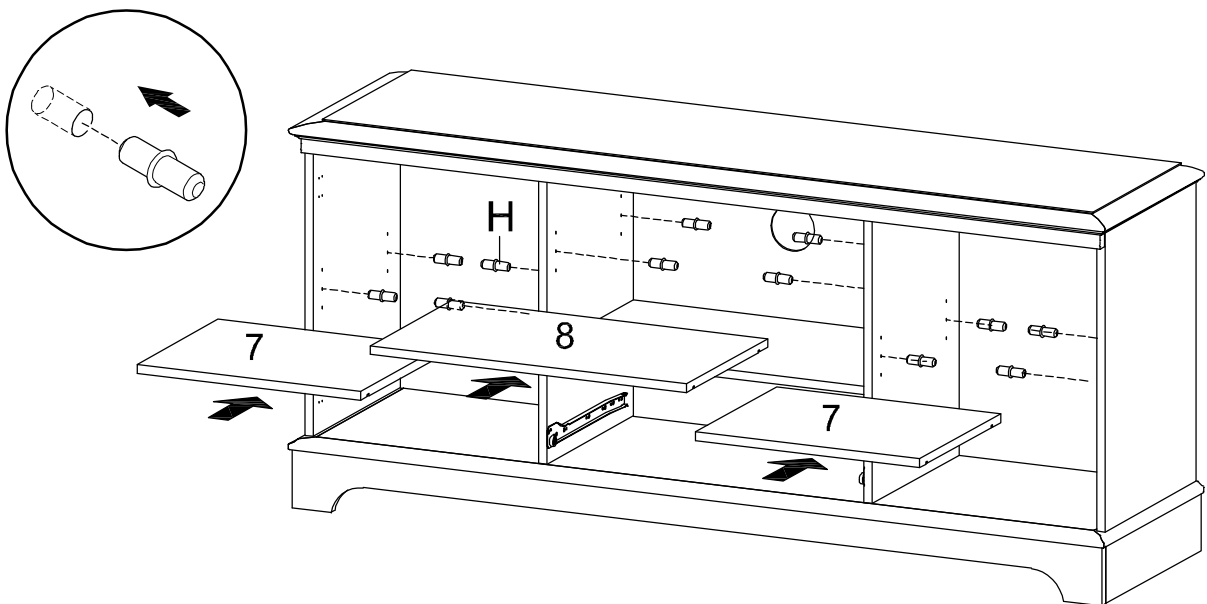
STEP 15:

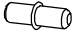


		
A x 10	B x 10	V x 1

Hardware required.  
Screwdriver not included

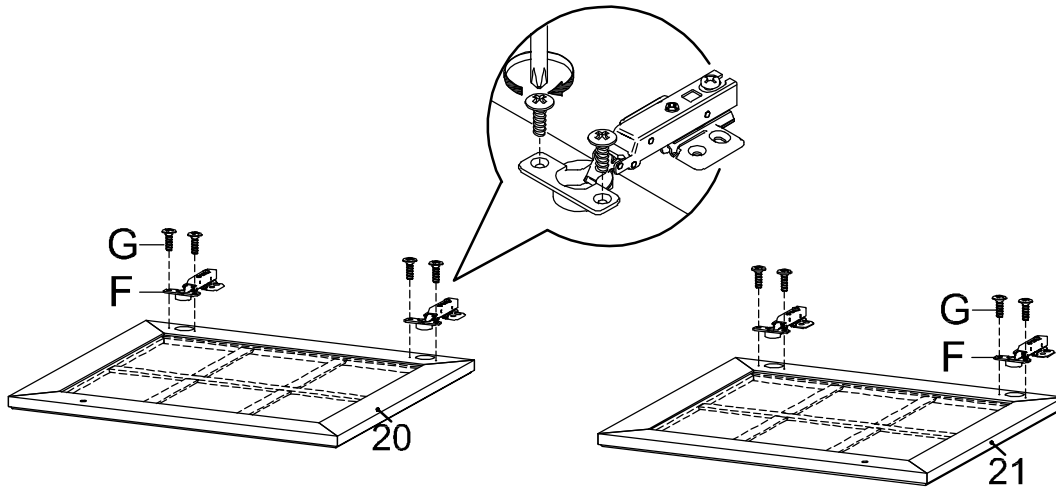
STEP 16:




H x 12

Hardware required.

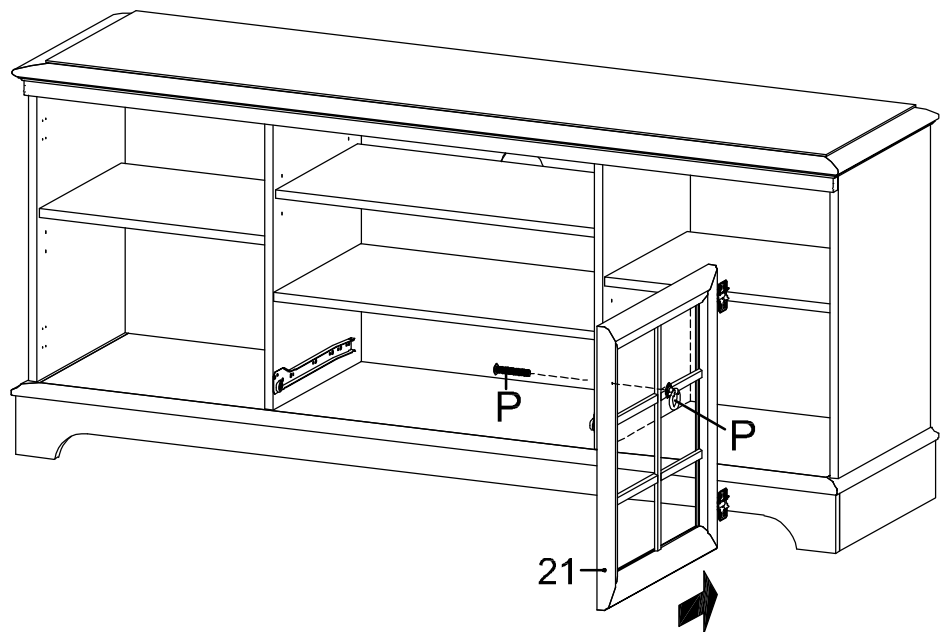
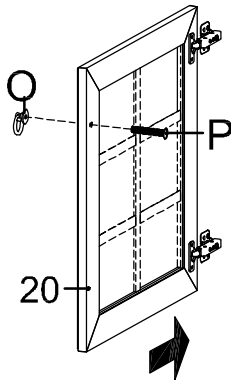
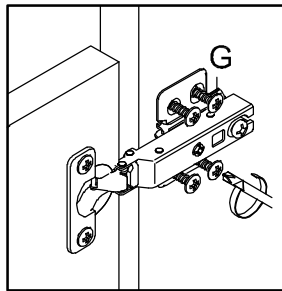
STEP 17:



F x 4	G x 8	V x 1

Hardware required.  
Screwdriver not included

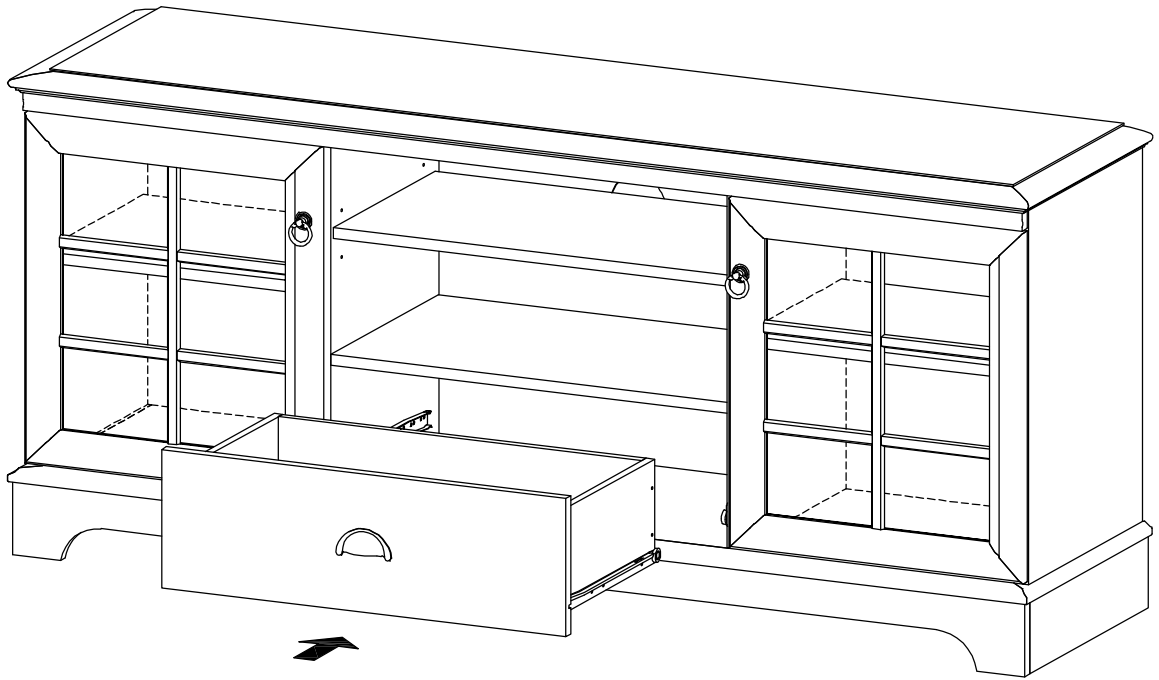
STEP 18:



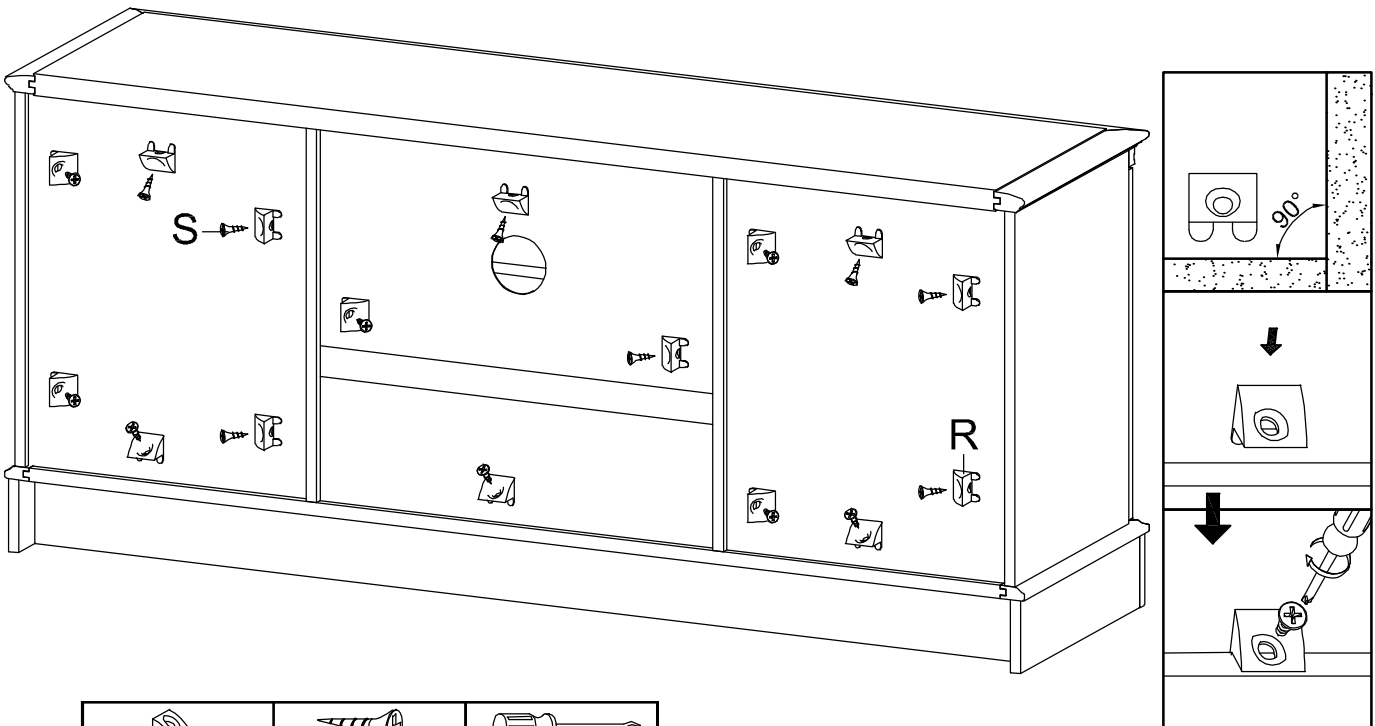
G x 16	O x 2	P x 2	V x 1

Hardware required.  
Screwdriver not included

STEP 19:



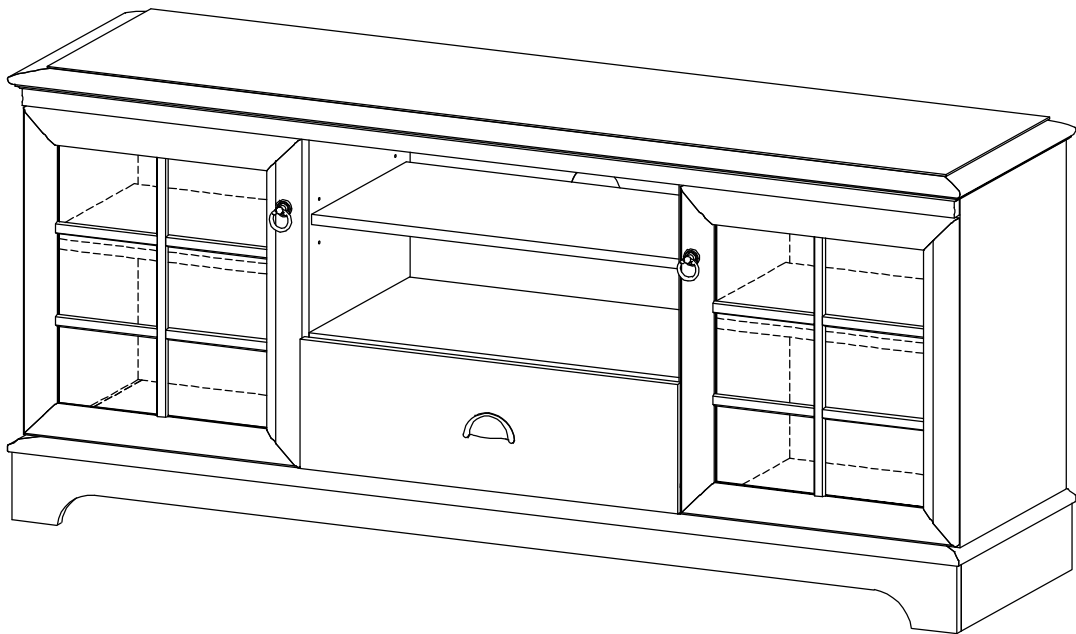
STEP 20:



R x 16	S x 16	V x 1

Hardware required.  
Screwdriver not included

STEP 21:



**Assembly is complete. The TV Stand is ready to enjoy now!**