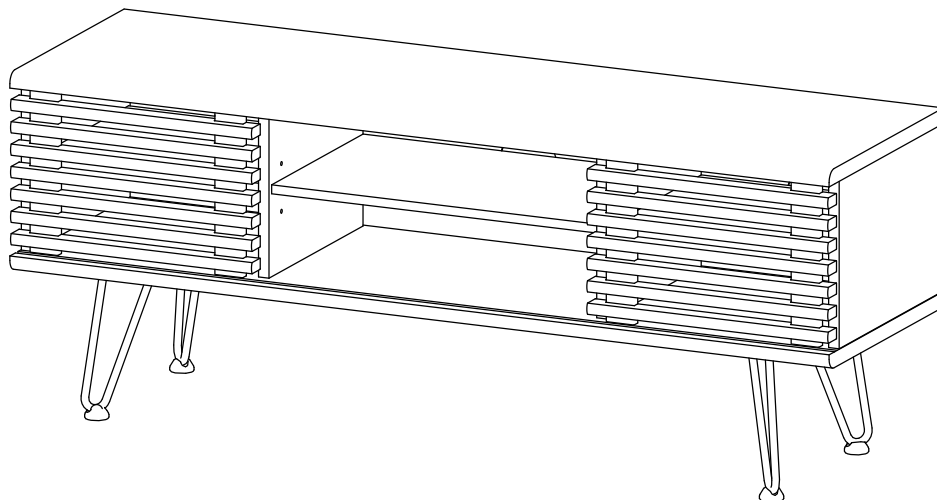


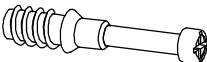


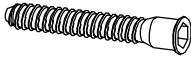





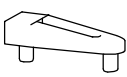
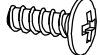



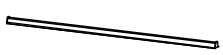


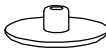
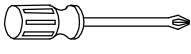
Thank you for purchasing the **MODWAY TV STAND** !

Before you start, here are some helpful advice:

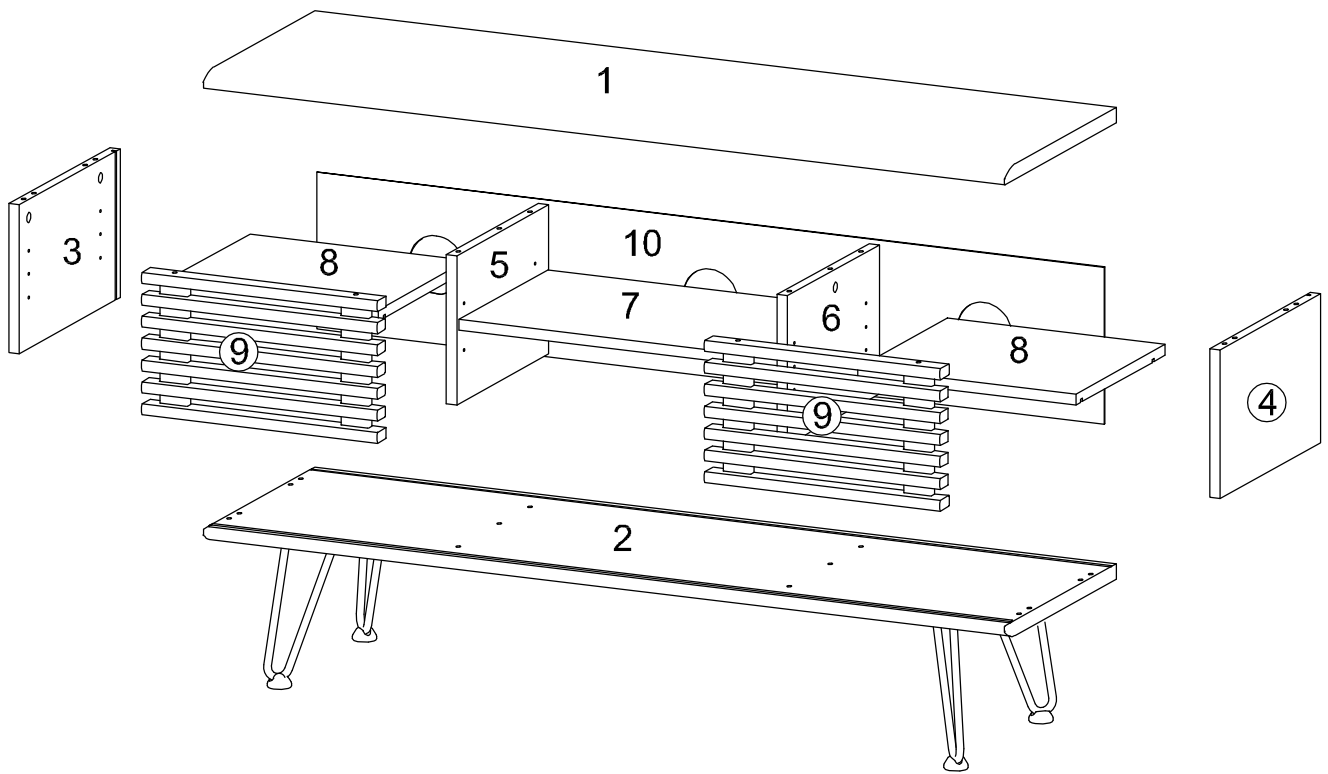
1. We suggest you spend a short time reading through this leaflet and then follow the simple step-by-step instructions.
2. Owing to the size and weight of the Tv Stand, we recommend that it is assembled by two adults, on a carpeted or padded area, in the room that it is intended for. Approximate assembly time: 60 minutes.
3. Please do not use any tools other than those Provided or recommended in these instructions.
4. Please do not throw away any of the packaging or instructions until you have checked all the components and hardware and the furniture is fully assembled.
5. Assemble all components loosely until advised to tighten. Depending on use, it may be necessary to tighten the components from time to time, so please save the tools that have been provided.
6. Please keep all pieces out of reach of children.



### Hardware :

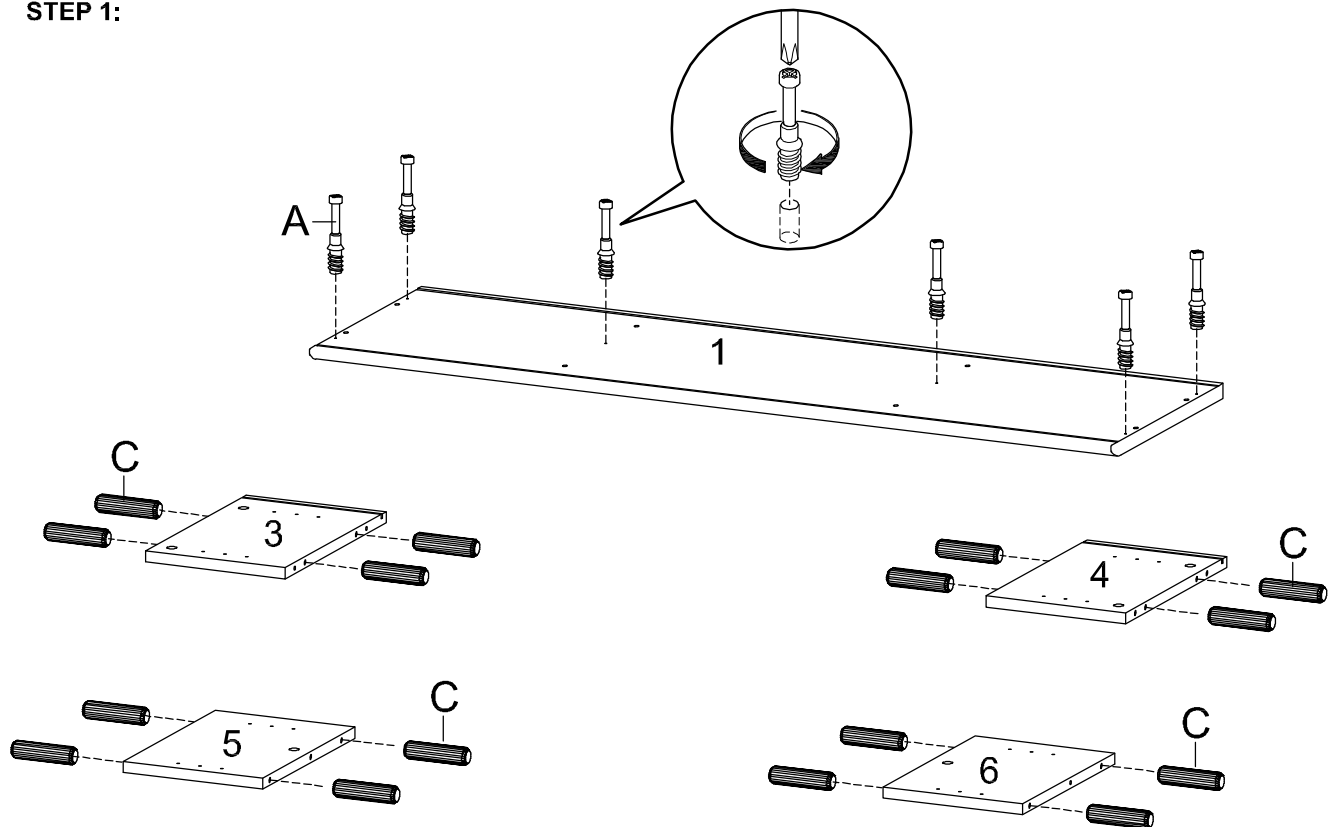
<b>A)</b> Cambolt Big/Metal  $\varnothing 6 \times 35 \text{ mm}$ x 6	<b>B)</b> CamLock Big /Metal  $\varnothing 15 \text{ mm}$ x 6	<b>C)</b> Dowel /Wood  $\varnothing 8 \times 30 \text{ mm}$ x 16	<b>D)</b> Screw/Metal  $M 7 \times 50 \text{ mm}$ x 6	<b>E)</b> Hex/Allen Key/Metal  L 4 x 1
<b>F)</b> Shelf Pin/Metal  $\varnothing 5 \times 15 \text{ mm}$ x 12	<b>G)</b> Buffer/Ruber  x 1	<b>H)</b> Pin Sliding Top/Plastic  $\varnothing 8 \times 19 \text{ mm}$ x 4	<b>I)</b> Pin Sliding Bottom/Plastic  $\varnothing 8 \times 16 \text{ mm}$ x 4	<b>J)</b> Stopper/Plastic  x 2
<b>K)</b> Screw/Metal  $M 4.5 \times 12.5 \text{ mm}$ x 16	<b>L)</b> Leg/Metal  x 4	<b>M)</b> Wedge/Plastic  x 10	<b>N)</b> Screw/Metal  $M 3.5 \times 15.5 \text{ mm}$ x 10	<b>O)</b> Anti-Deflection Bar/Metal  x 1
<b>P)</b> Screw/Metal  $M 6 \times 10.5 \text{ mm}$ x 10	<b>Q)</b> Floor Pad/Rubber  x 4	<b>R)</b> Screw Cap/Plastic  $\varnothing 15 \text{ mm}$ x 6	<b>S)</b> x 1  Screwdriver (Not Include)	

Components:



1	Top Board	x1	2	Bottom Board	x1	3	Side Board Left	x1	4	Side Board Right	x1
5	Center Board 1	x1	6	Center Board 2	x1	7	Adjustable Shelf1	x1	8	Adjustable Shelf2	x2
9	Frame Door	x2	10	Back Board	x1						

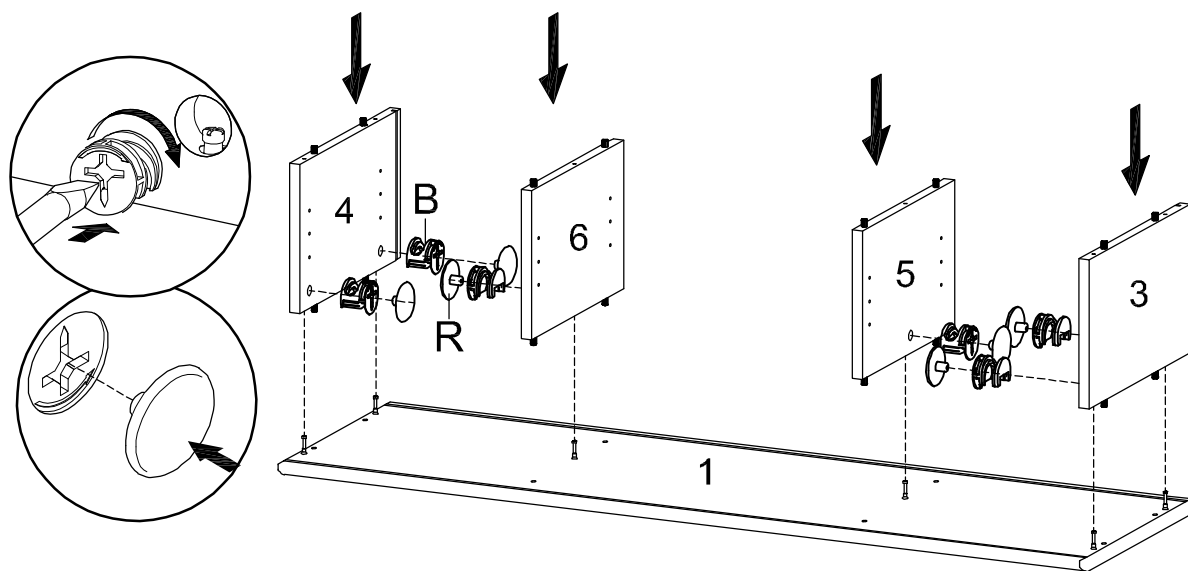
STEP 1:



A x 6	C x 16	S x 1

Hardware required.  
Screwdriver not included

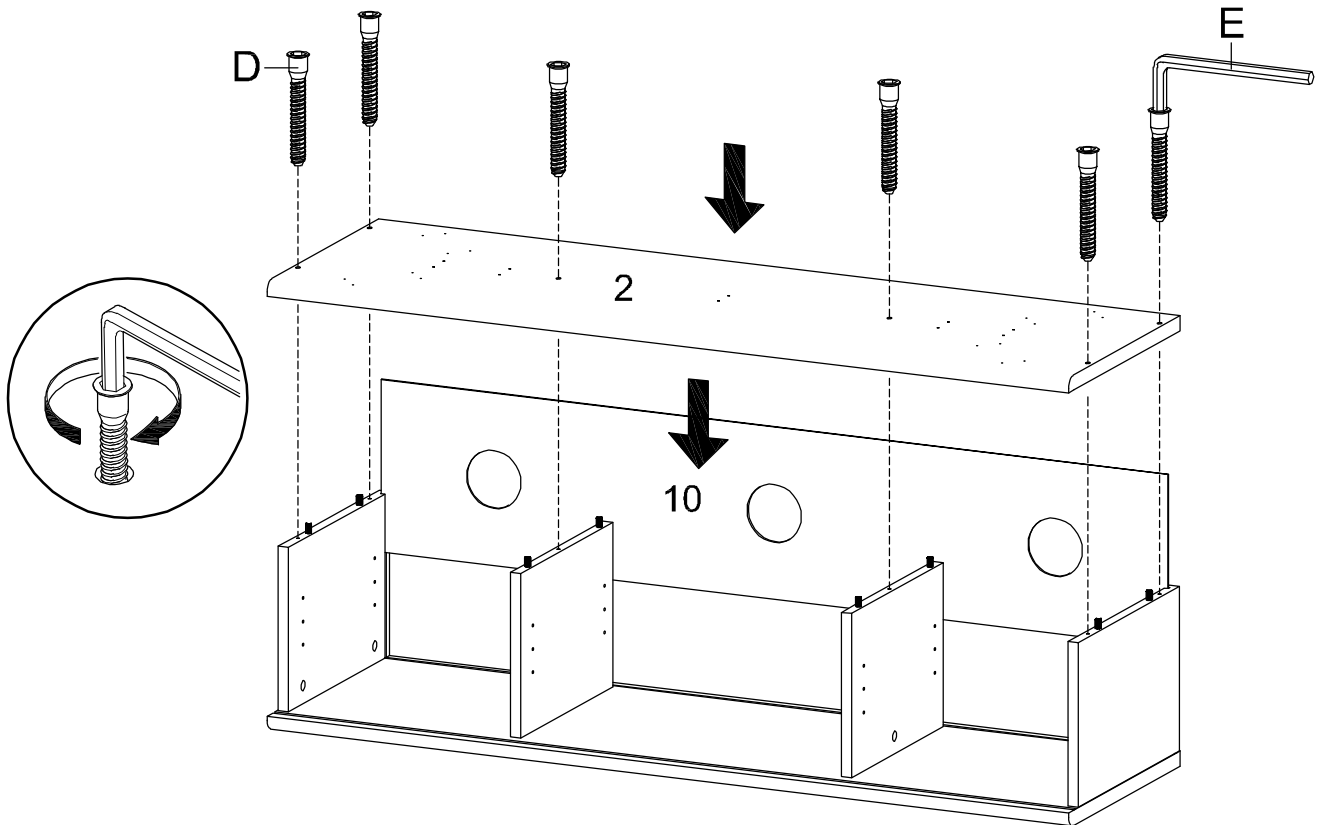
STEP 2:





B x 6	R x 6	S x 1

Hardware required.  
Screwdriver not included

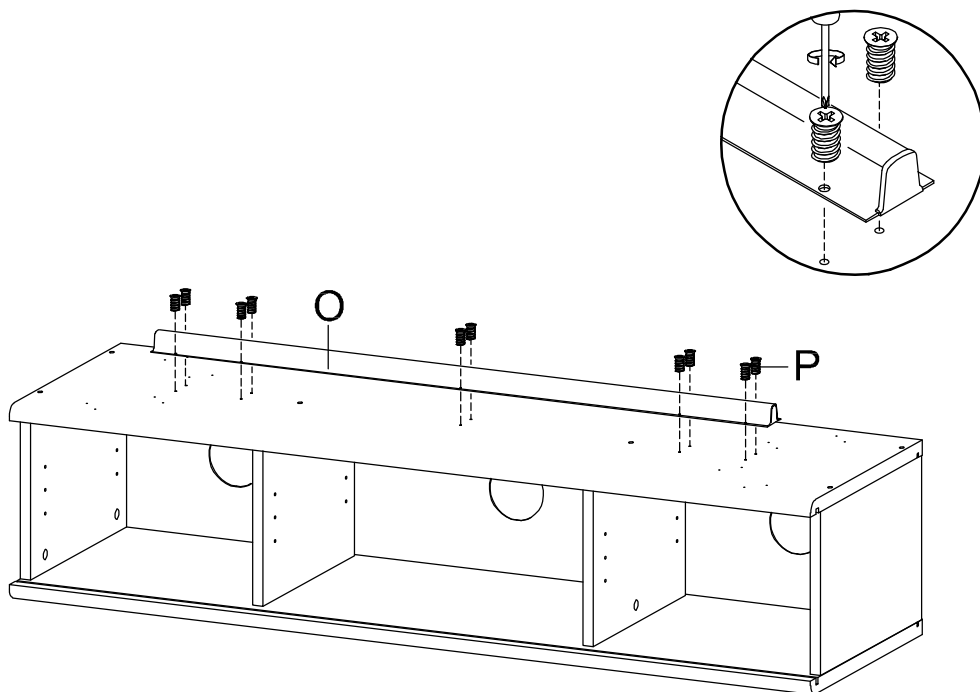
STEP 3:



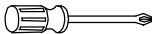


	
D x 6	E x 1

Hardware required.

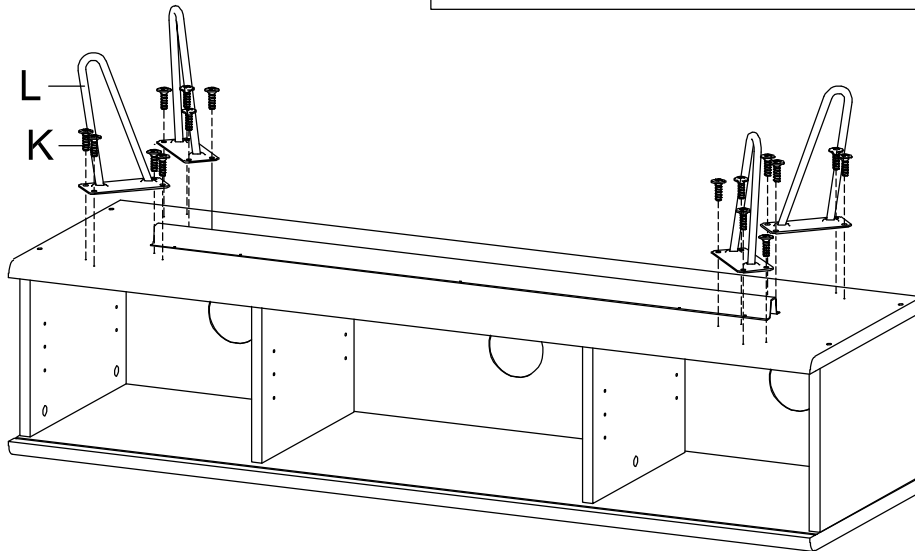
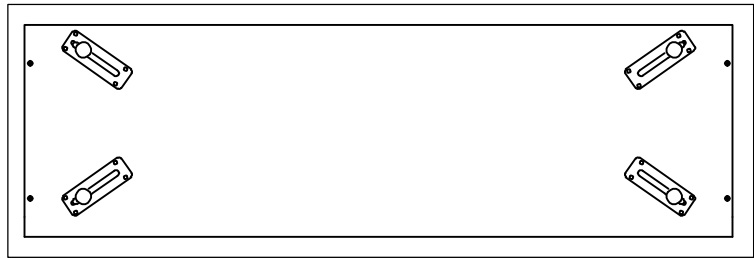
STEP 4:



		
O x 1	P x 10	S x 1

Hardware required.  
Screwdriver not included

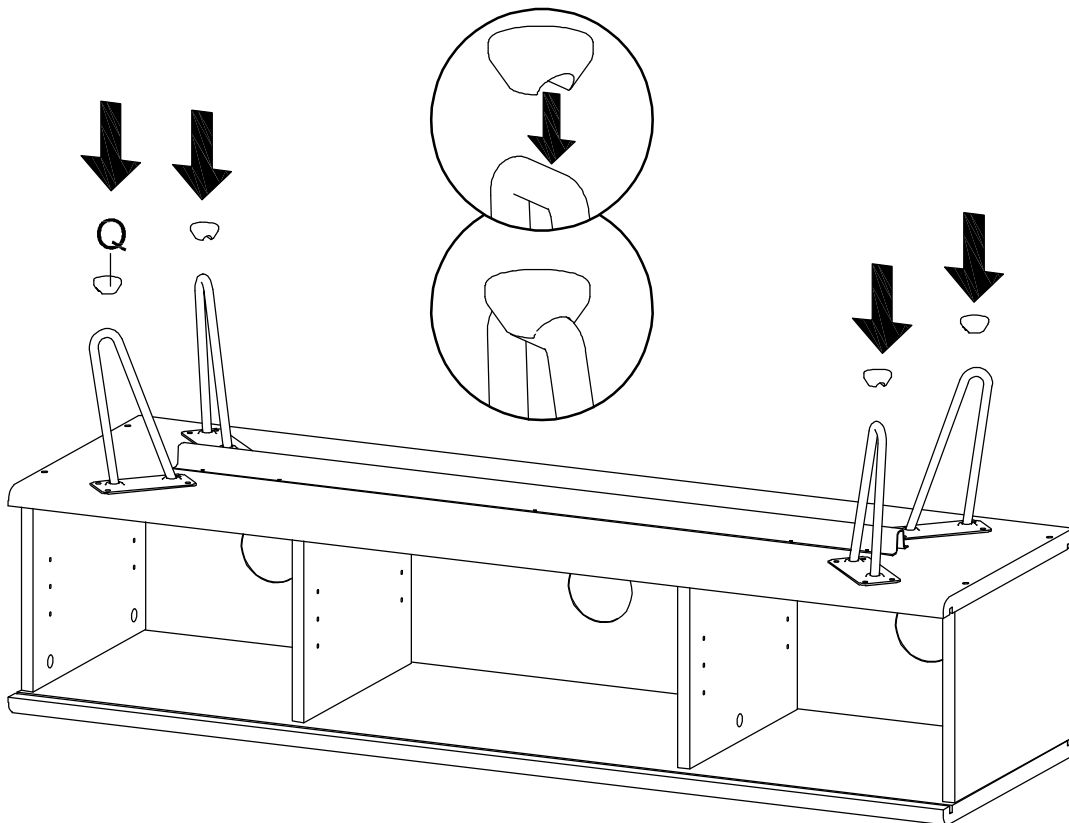
STEP 5:



K x 16	L x 4	S x 1

Hardware required.  
Screwdriver not included

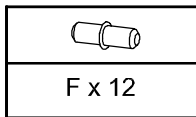
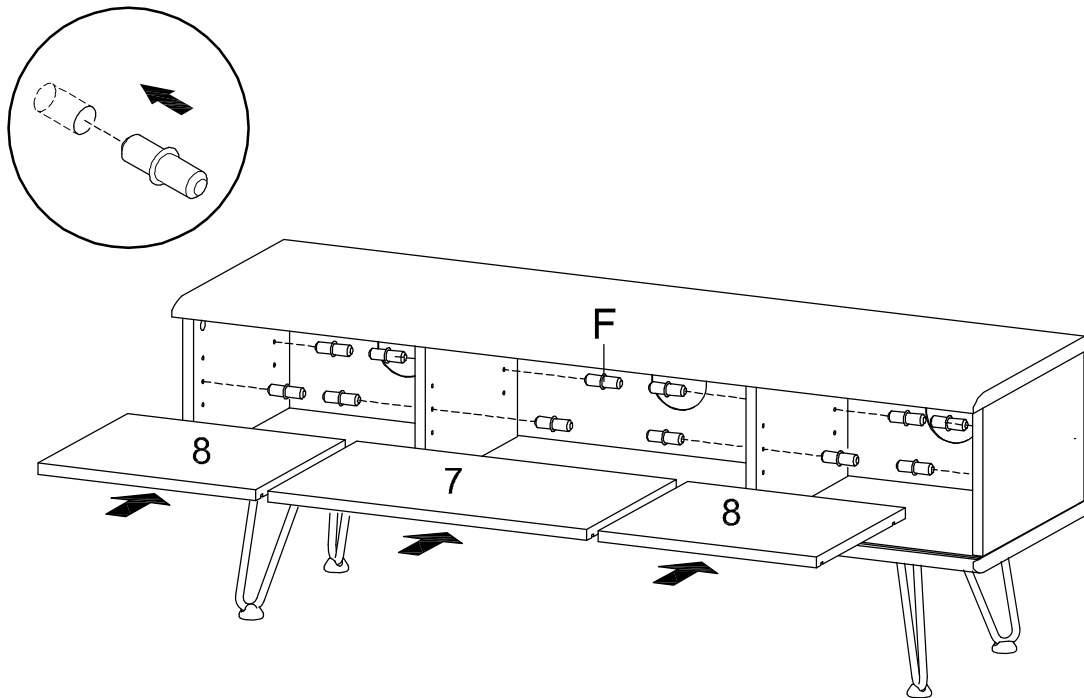
STEP 6:



Q x 4

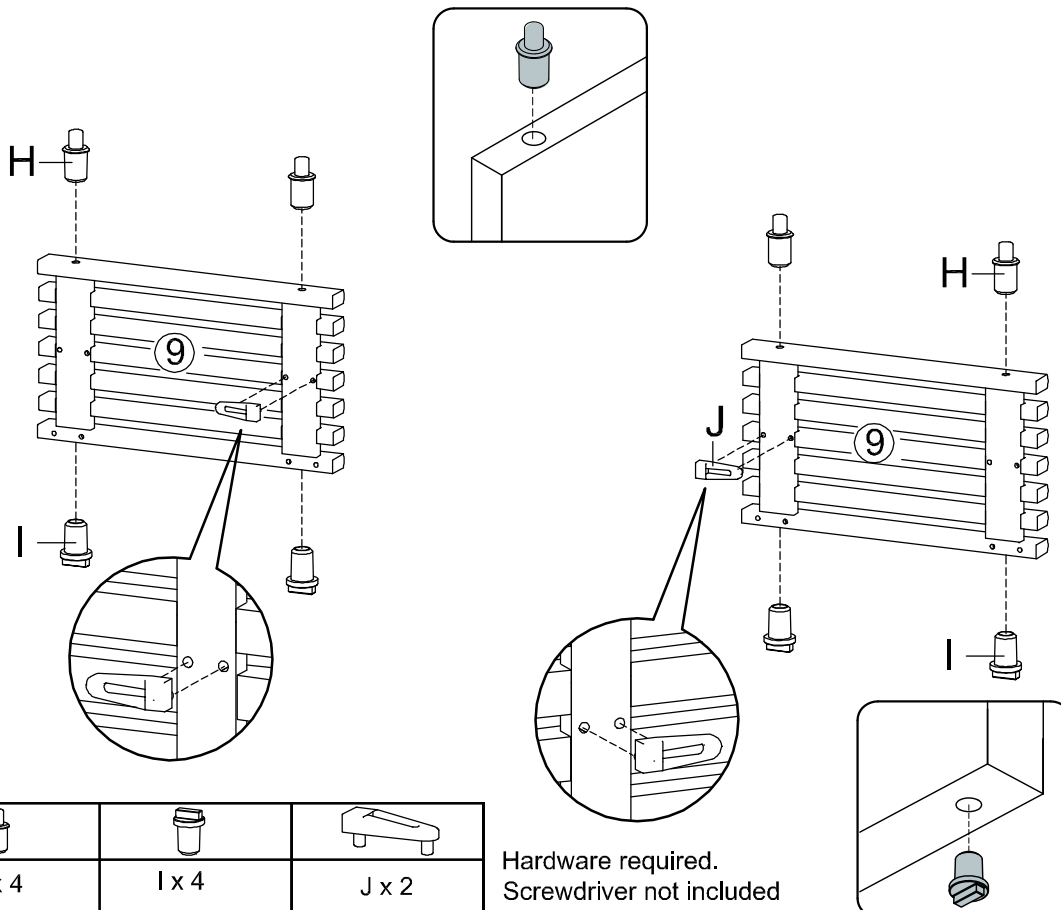
Hardware required.

STEP 7:



Hardware required.

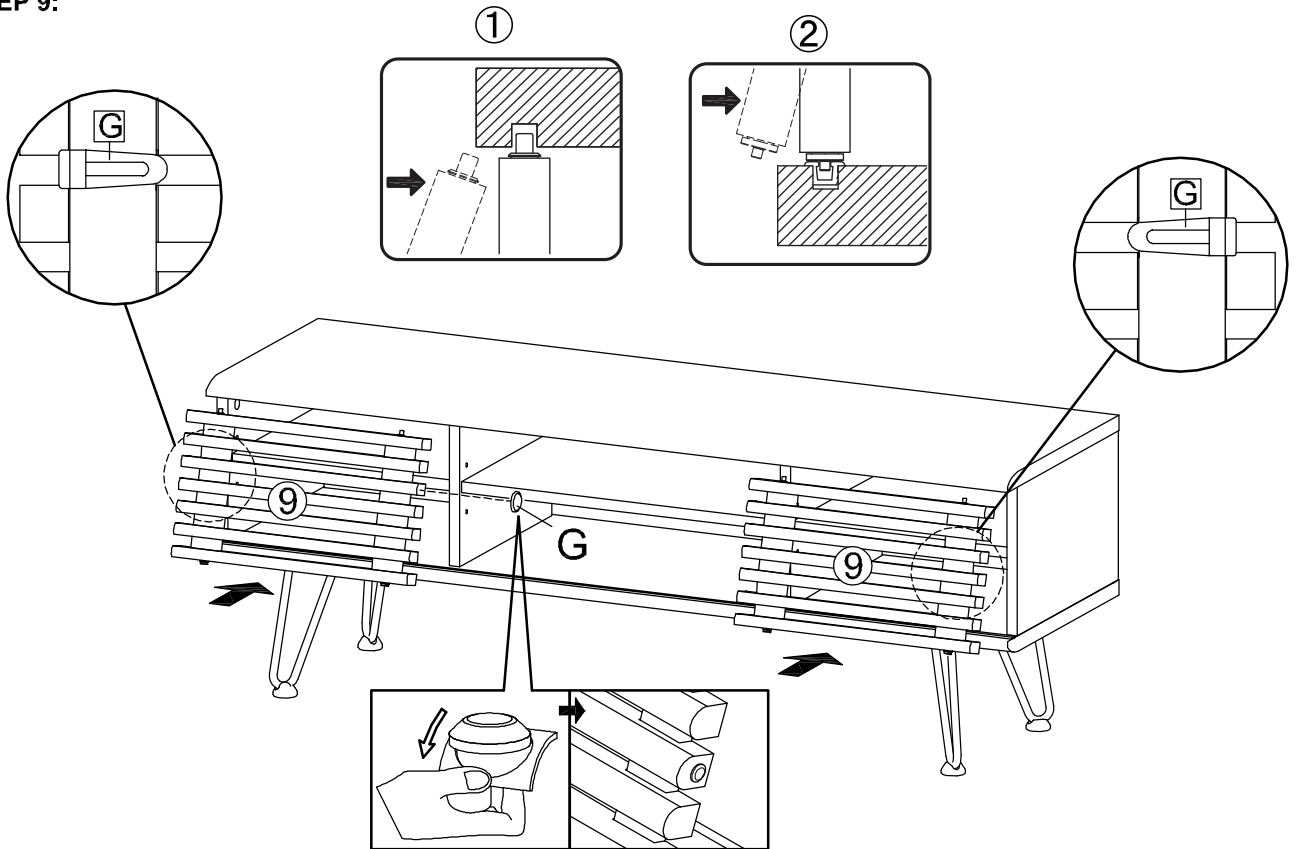
STEP 8:



H x 4	I x 4	J x 2

Hardware required.  
Screwdriver not included

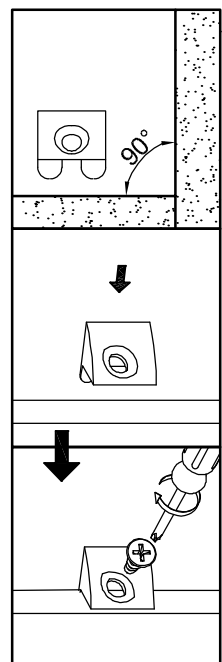
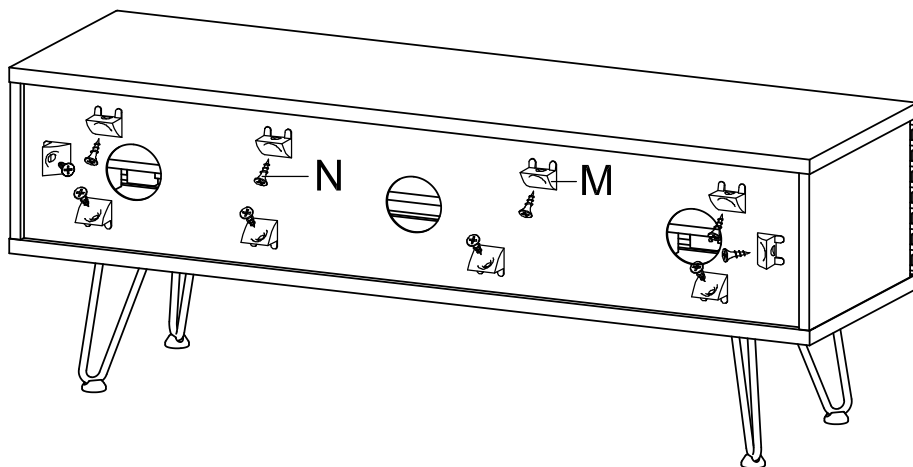
STEP 9:



G x 1

Hardware required.

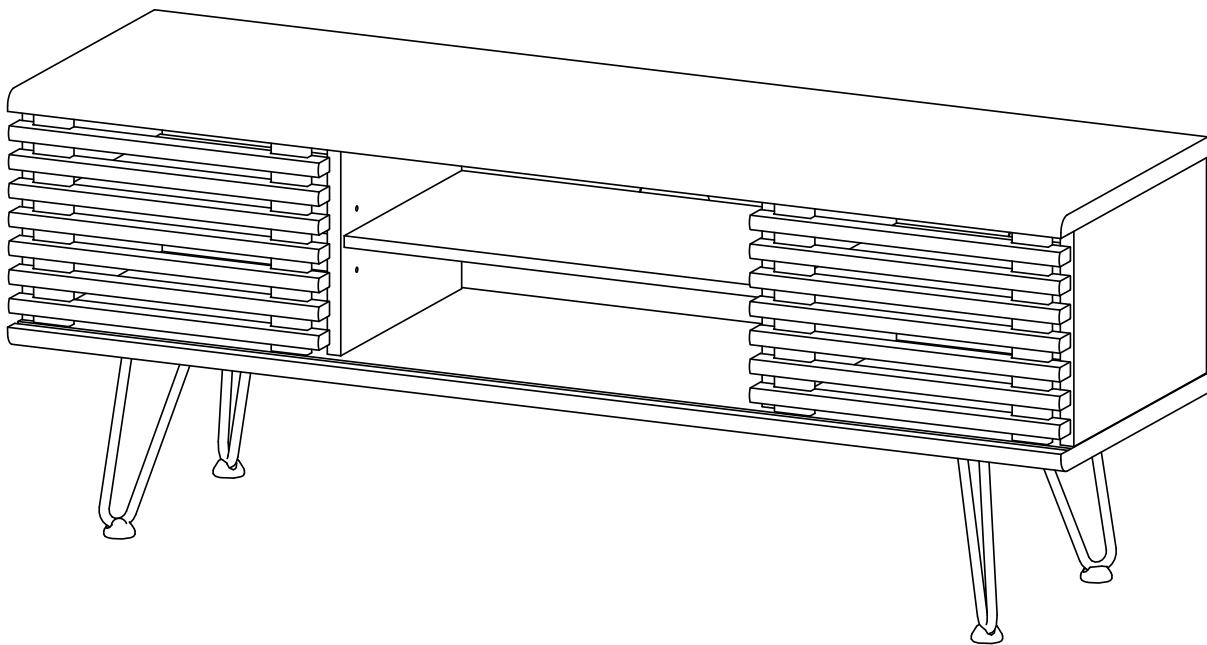
STEP 10:



M x 10	N x 10	S x 1

Hardware required.  
Screwdriver not included

STEP 11:



**Assembly is complete. The TV Stand is ready to enjoy now!**