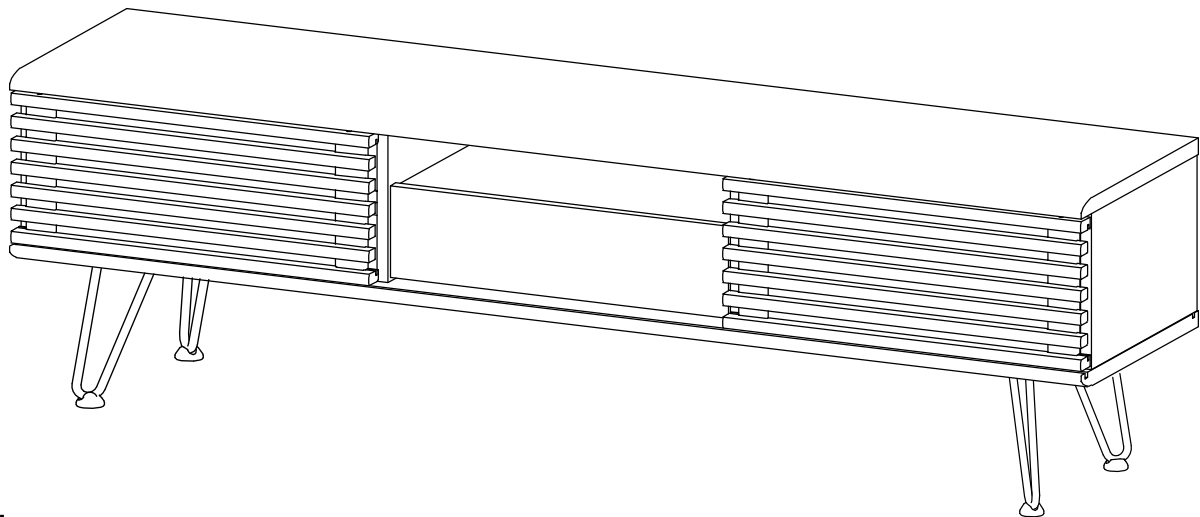


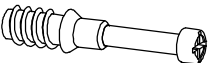


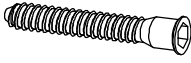





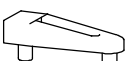

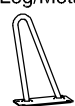











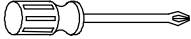
Thank you for purchasing the **MODWAY TV STAND** !

Before you start, here are some helpful advice:

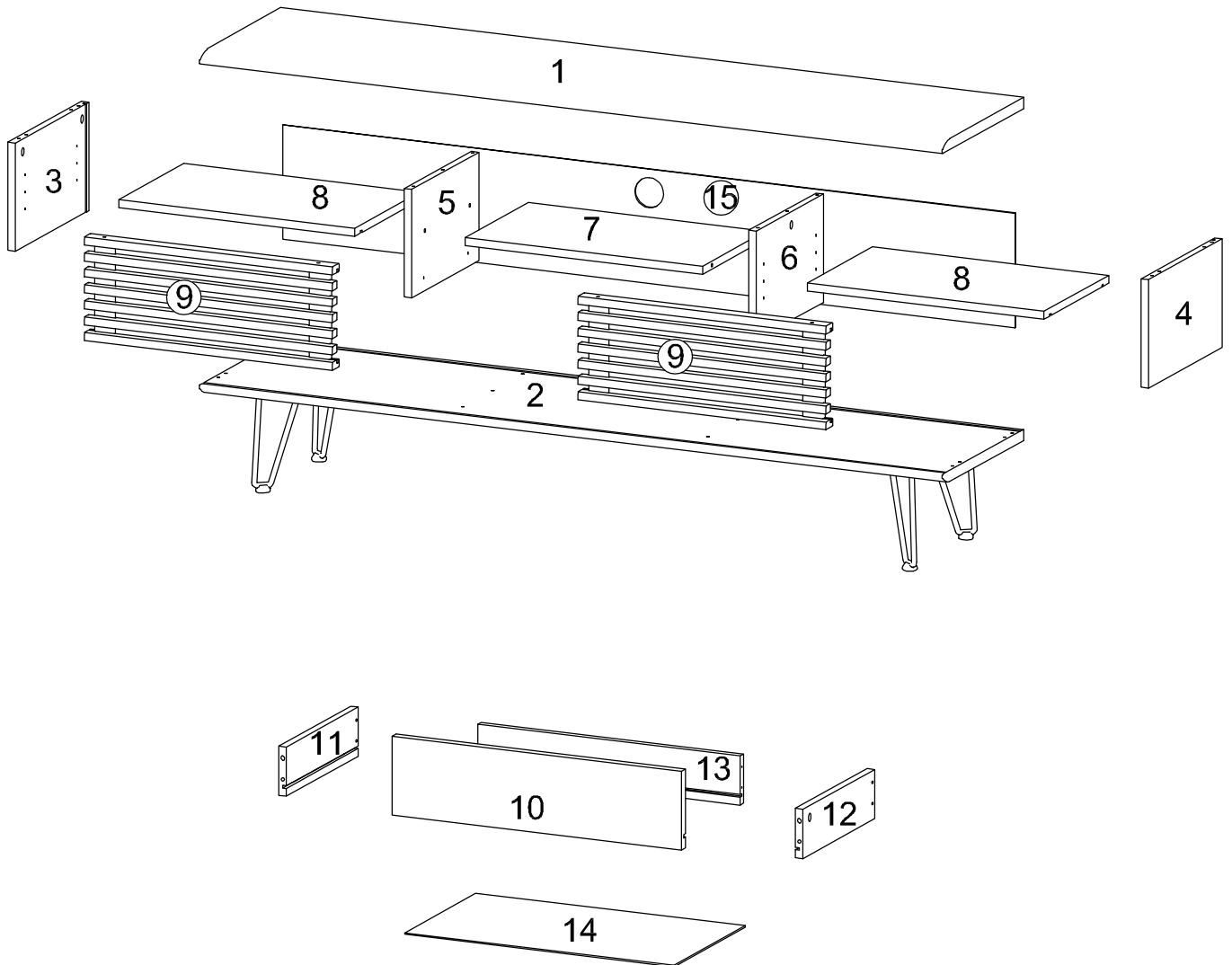
1. We suggest you spend a short time reading through this leaflet and then follow the simple step-by-step instructions.
2. Owing to the size and weight of the Tv Stand, we recommend that it is assembled by two adults, on a carpeted or padded area, in the room that it is intended for. Approximate assembly time: 60 minutes.
3. Please do not use any tools other than those Provided or recommended in these instructions.
4. Please do not throw away any of the packaging or instructions until you have checked all the components and hardware and the furniture is fully assembled.
5. Assemble all components loosely until advised to tighten. Depending on use, it may be necessary to tighten the components from time to time, so please save the tools that have been provided.
6. Please keep all pieces out of reach of children.



### Hardware :

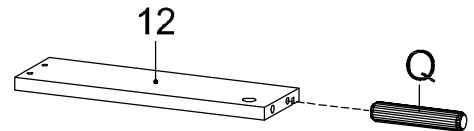
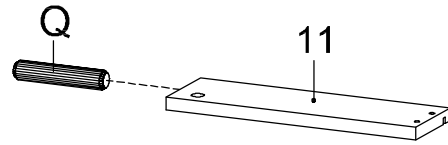
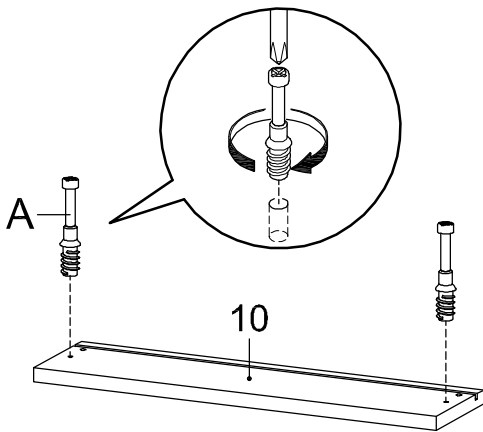
<b>A)</b> Cambolt Big/Metal  $\varnothing$ 6 x 35 mm x 8	<b>B)</b> CamLock Big /Metal  $\varnothing$ 15 mm x 6	<b>C)</b> Dowel Big /Wood  $\varnothing$ 8x30 mm x 20	<b>D)</b> Screw/Metal  M 7 x 50 mm x 6	<b>E)</b> Hex/Allen Key/Metal  L 4 x 1
<b>F)</b> Shelf Pin/Metal  $\varnothing$ 5 x 15 mm x 8	<b>G)</b> Buffer/Ruber  x 1	<b>H)</b> Pin Sliding Top/Plastic  $\varnothing$ 8 x 19 mm x 4	<b>I)</b> Pin Sliding Bottom/Plastic  $\varnothing$ 8 x 16 mm x 4	<b>J)</b> Stopper/Plastic  x 2
<b>K)</b> Screw/Metal  M 4.5 x 12.5 mm x 16	<b>L)</b> Leg/Metal  x 4	<b>M)</b> Wedge/Plastic  x 12	<b>N)</b> Screw/Metal  M 3.5 x 15.5 mm x 12	<b>O)</b> Anti-Deflection Bar/Metal  x 1
<b>P)</b> Screw/Metal  M 6 x 10.5 mm x 18	<b>Q)</b> Dowel Small /Wood  $\varnothing$ 6x30 mm x 2	<b>R)</b> CamLock Small /Metal  $\varnothing$ 12 mm x 2	<b>S)</b> Rail/Metal  x 1	<b>T)</b> Screw/Metal  M 3.5 x 13 mm x 4
<b>U)</b> Screw/Metal  M 8 x 39 mm x 4	<b>V)</b> Floor Pad/Rubber  x 4	<b>W)</b> Screw Cap/Plastic  $\varnothing$ 15 mm x 6	<b>X)</b> Screwdriver (Not Include)  x 1	

Components:



1 Top Board	x1	2 Bottom Board	x1	3 Side Board Left	x1	4 Side Board Right	x1
5 Center Board 1	x1	6 Center Board 2	x1	7 Fixed Shelf	x1	8 Adjustable Shelf	x2
9 Frame Door	x2	10 Front Drawer	x1	11 Side Drawer Left	x1	12 Side Drawer Right	x1
13 Back Drawer	x1	14 Bottom Drawer	x1	15 Back Board	x1		

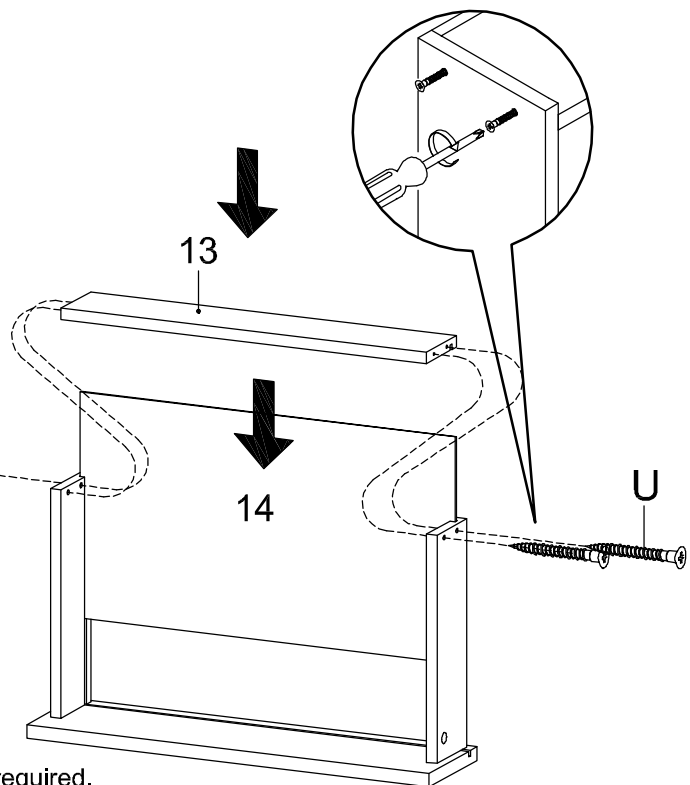
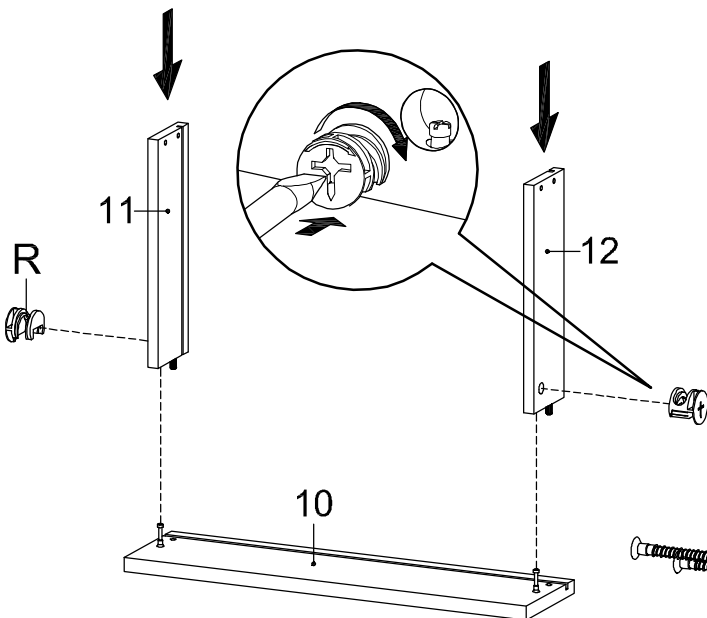
STEP 1:



A x 2	Q x 2	X x 1

Hardware required.  
Screwdriver not included

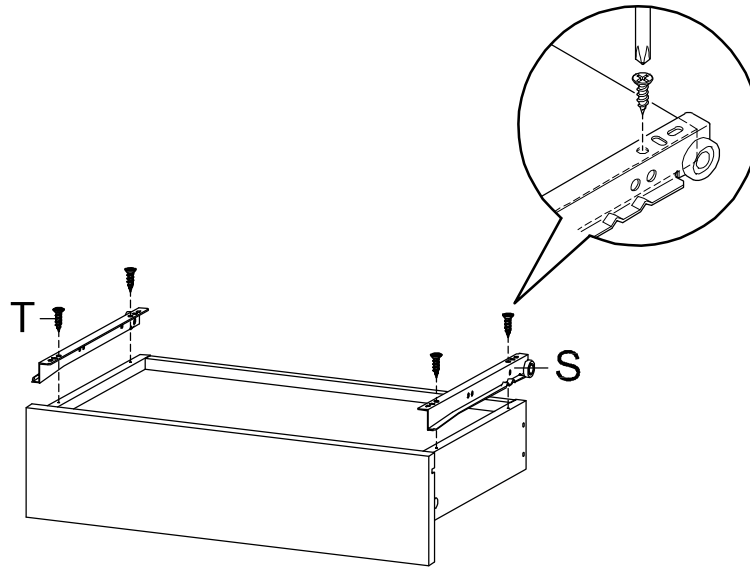
STEP 2:



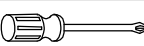


R x 2	U x 4	X x 1

Hardware required.  
Screwdriver not included

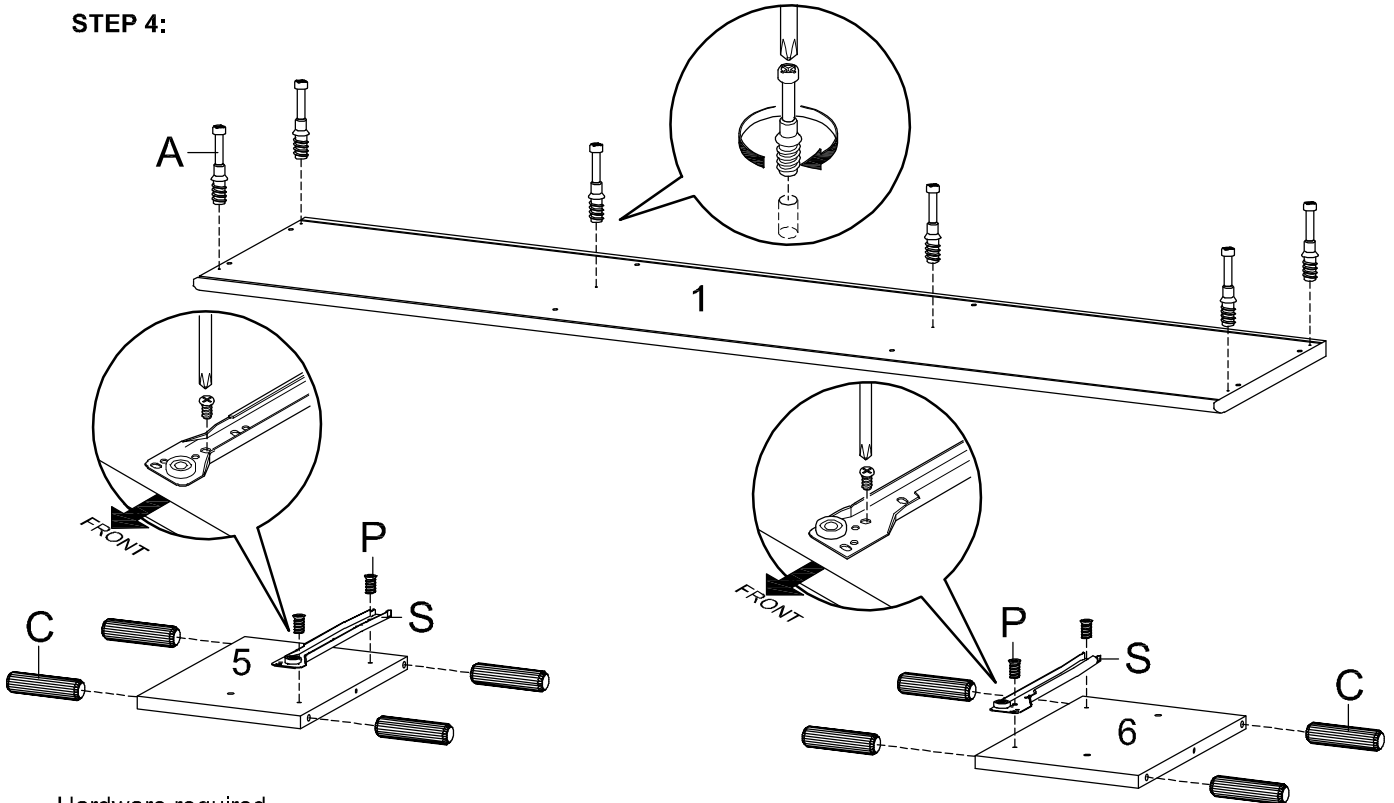
STEP 3:







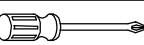
		
S x 1	T x 4	X x 1

Hardware required.  
Screwdriver not included

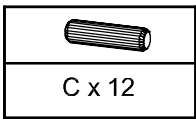
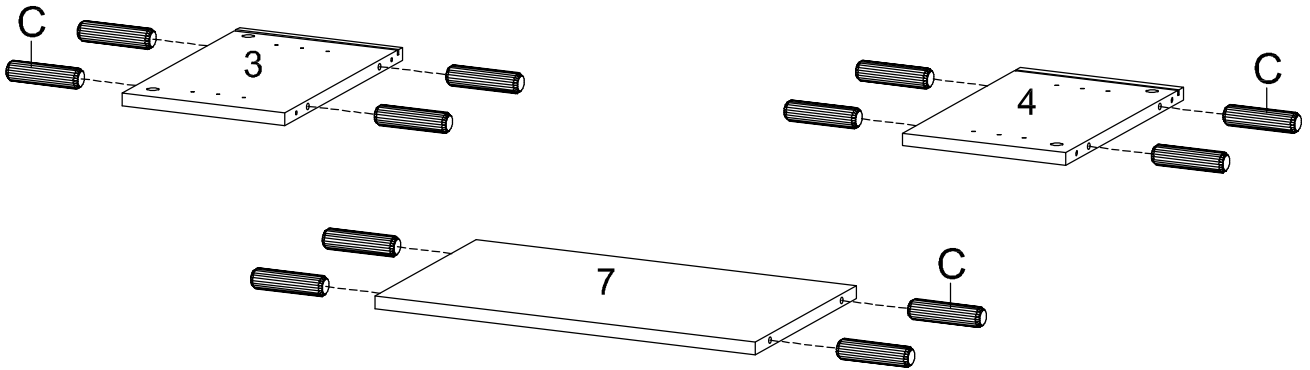
STEP 4:



Hardware required.  
Screwdriver not included

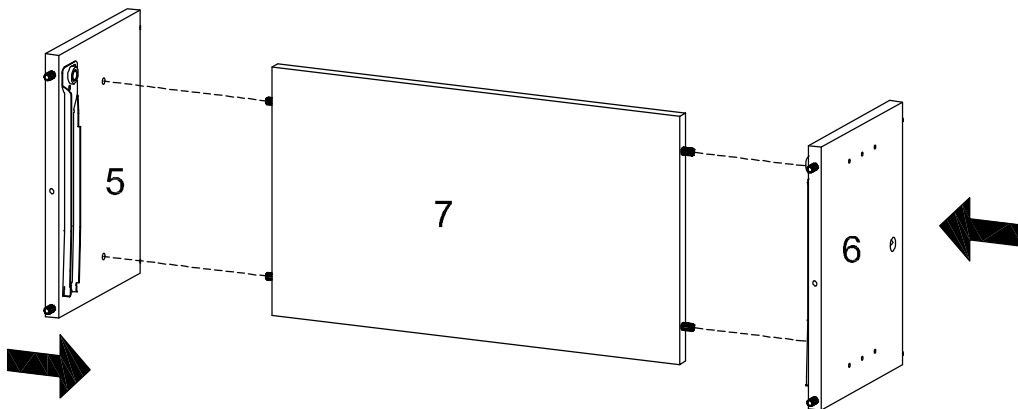
				
A x 6	C x 8	P x 4	S x 1	X x 1

STEP 5:

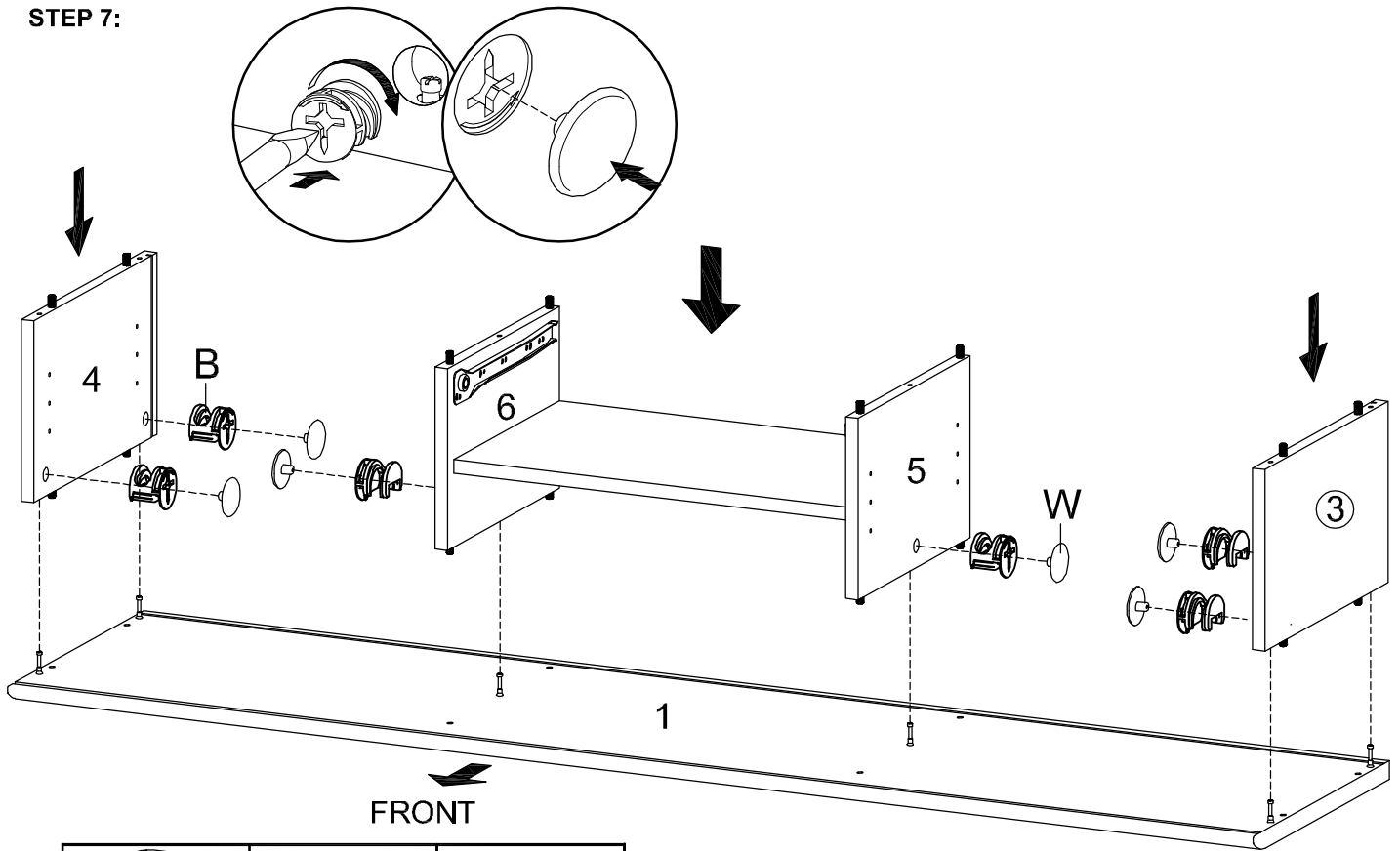


Hardware required.

STEP 6:



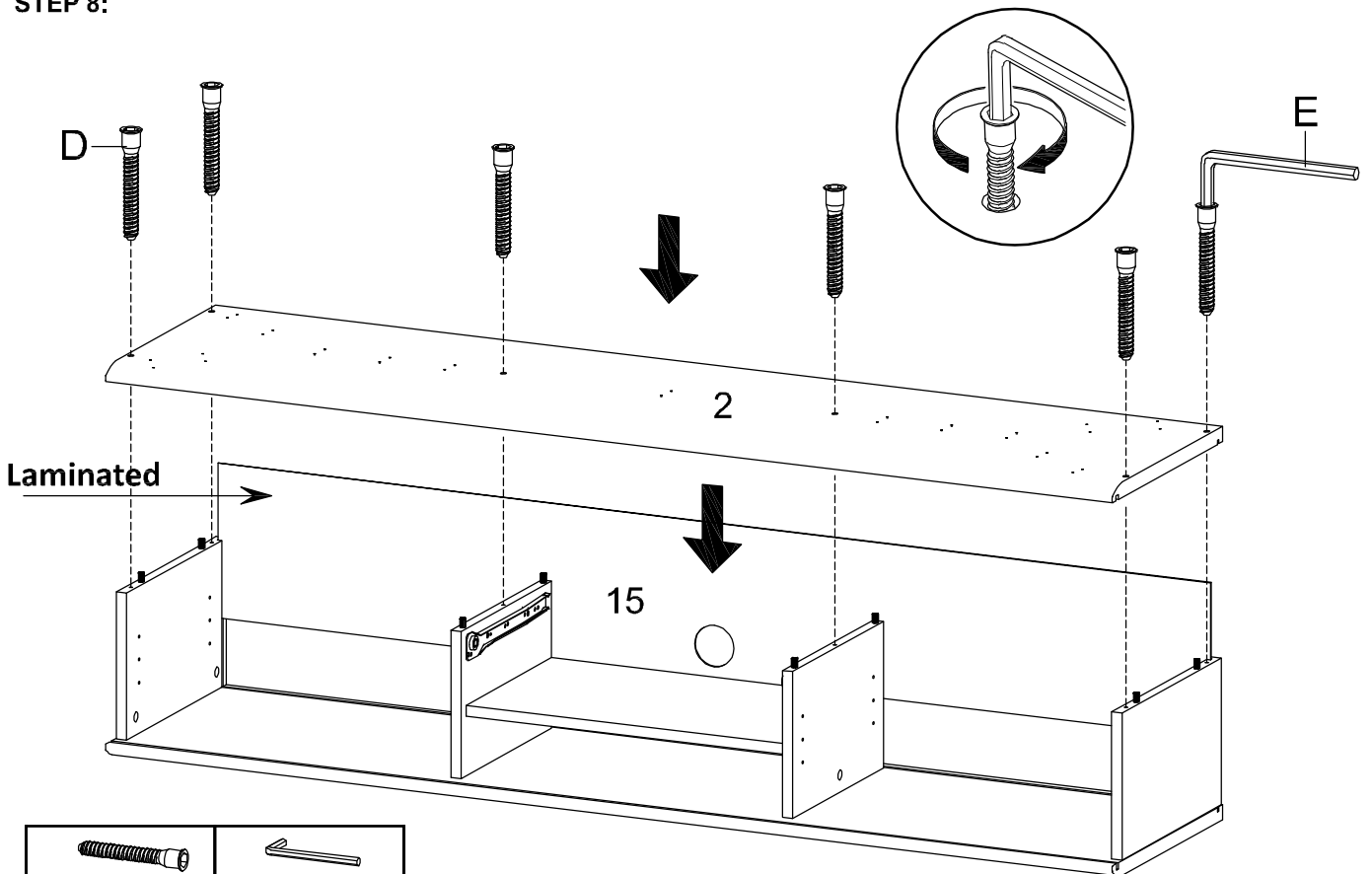
STEP 7:



B x 6	W x 6	X x 1

Hardware required.  
Screwdriver not included

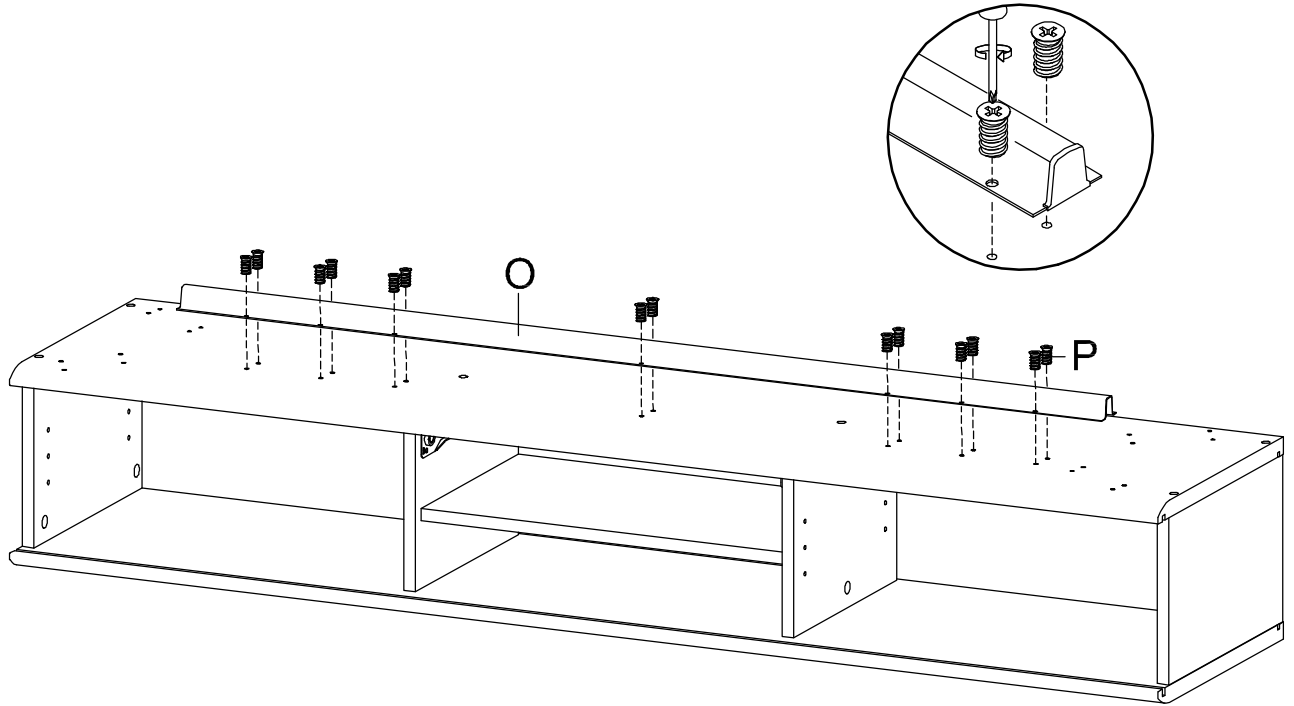
STEP 8:



D x 6	E x 1

Hardware required.

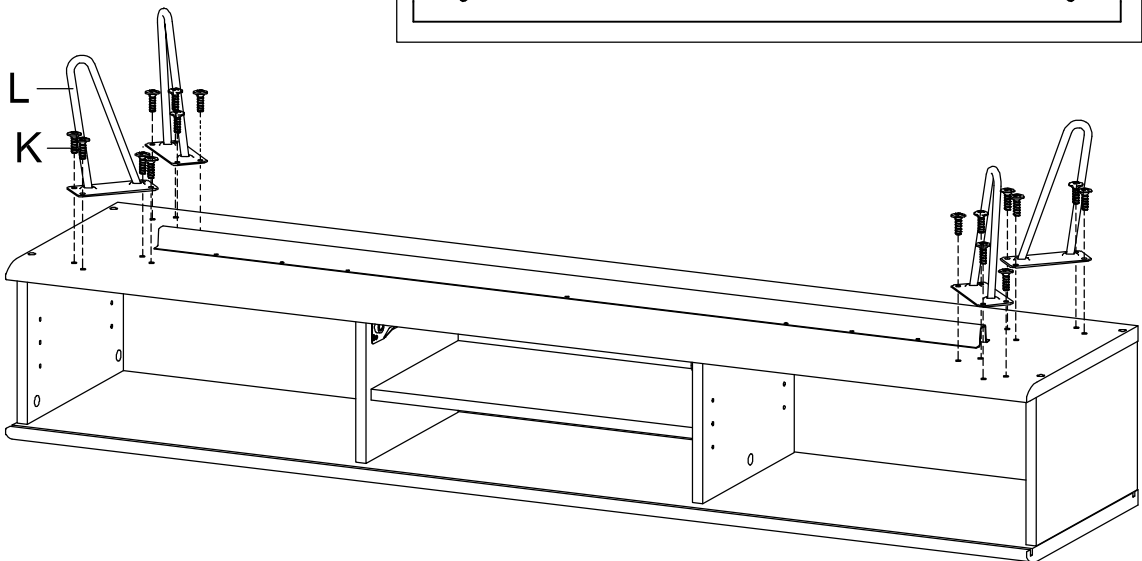
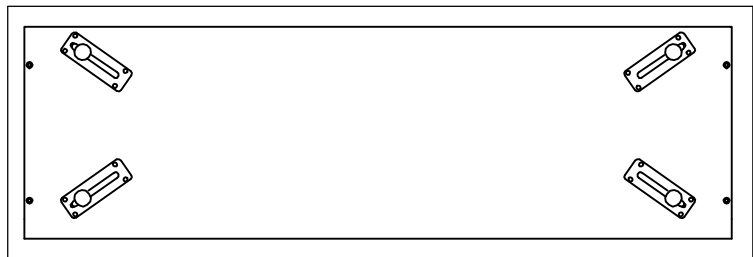
STEP 9:



O x 1	P x 14	X x 1

Hardware required.  
Screwdriver not included

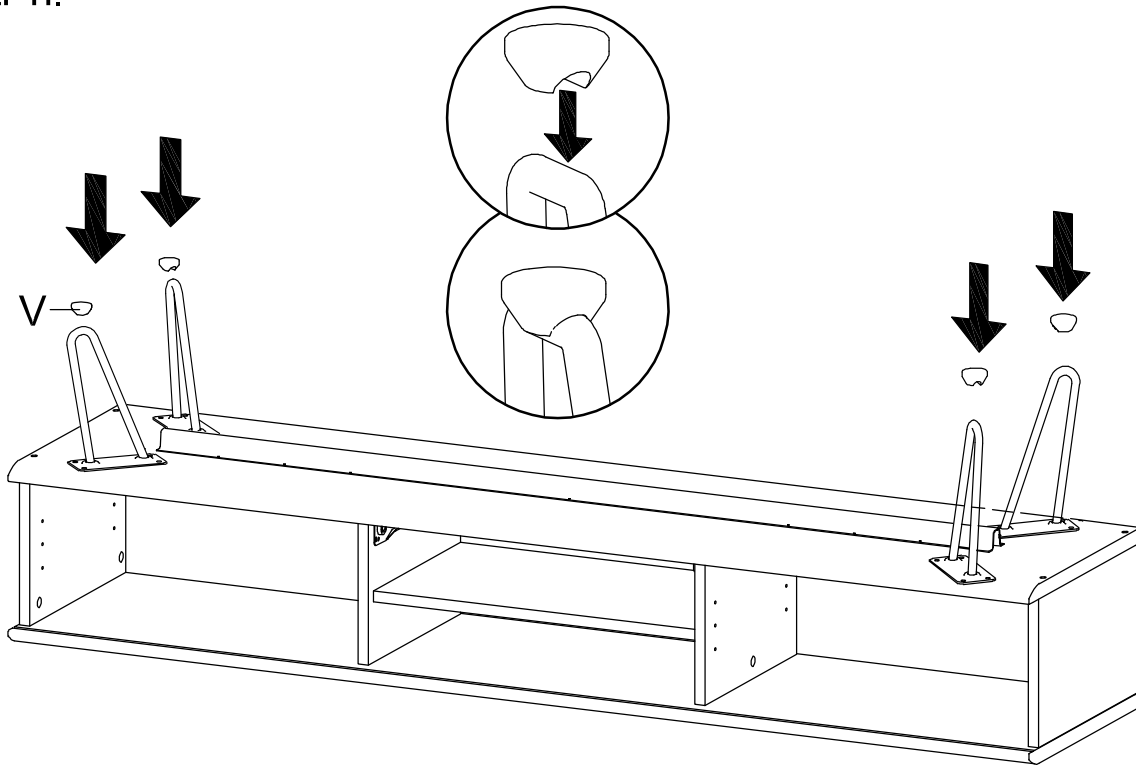
STEP 10:



K x 16	L x 4	X x 1

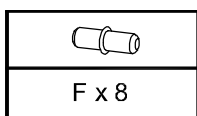
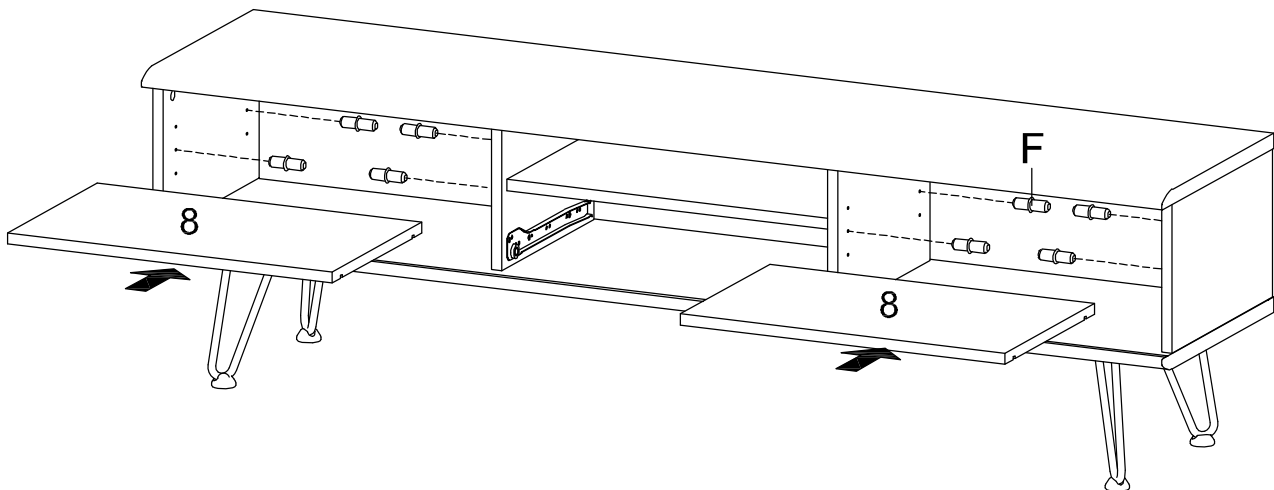
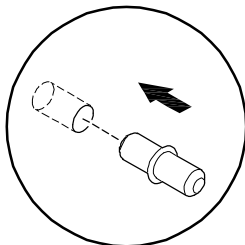
Hardware required.  
Screwdriver not included

STEP 11:



Hardware required.

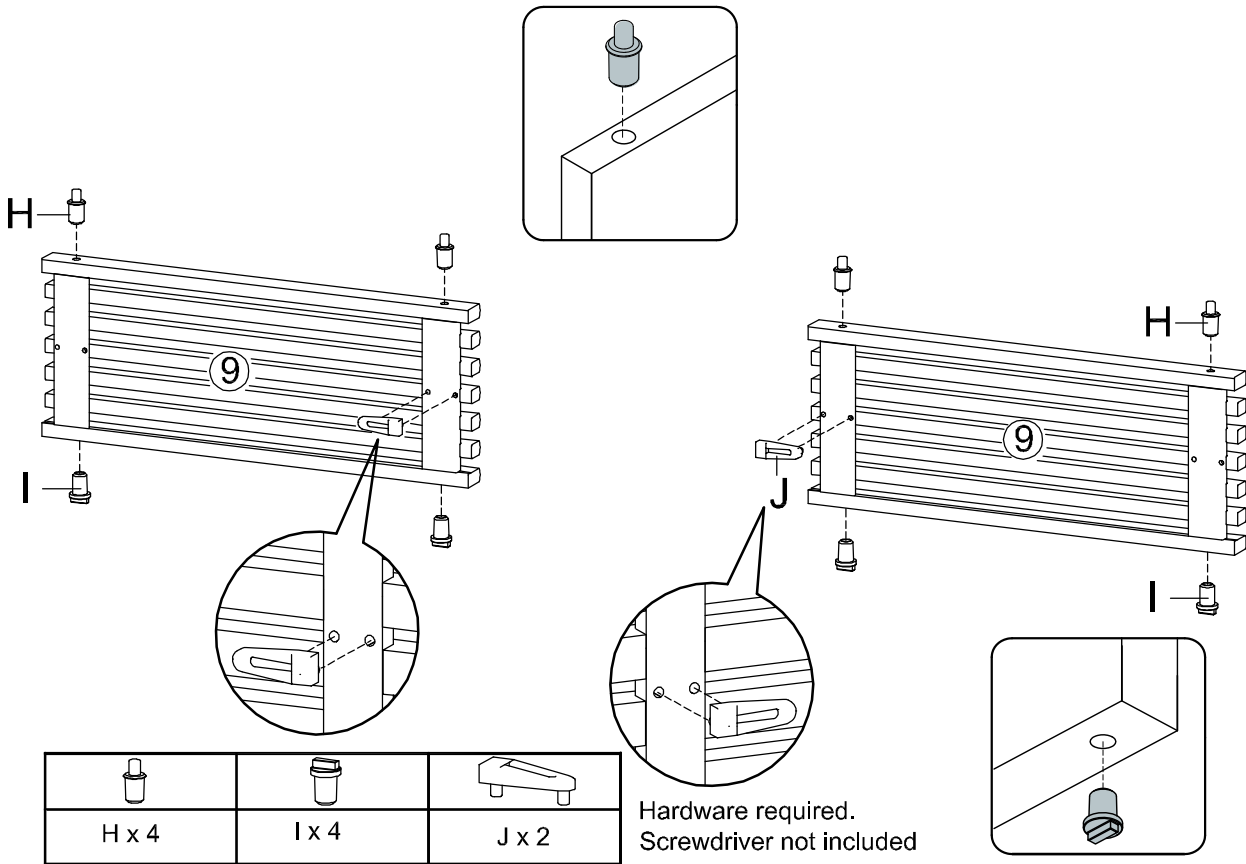
STEP 12:



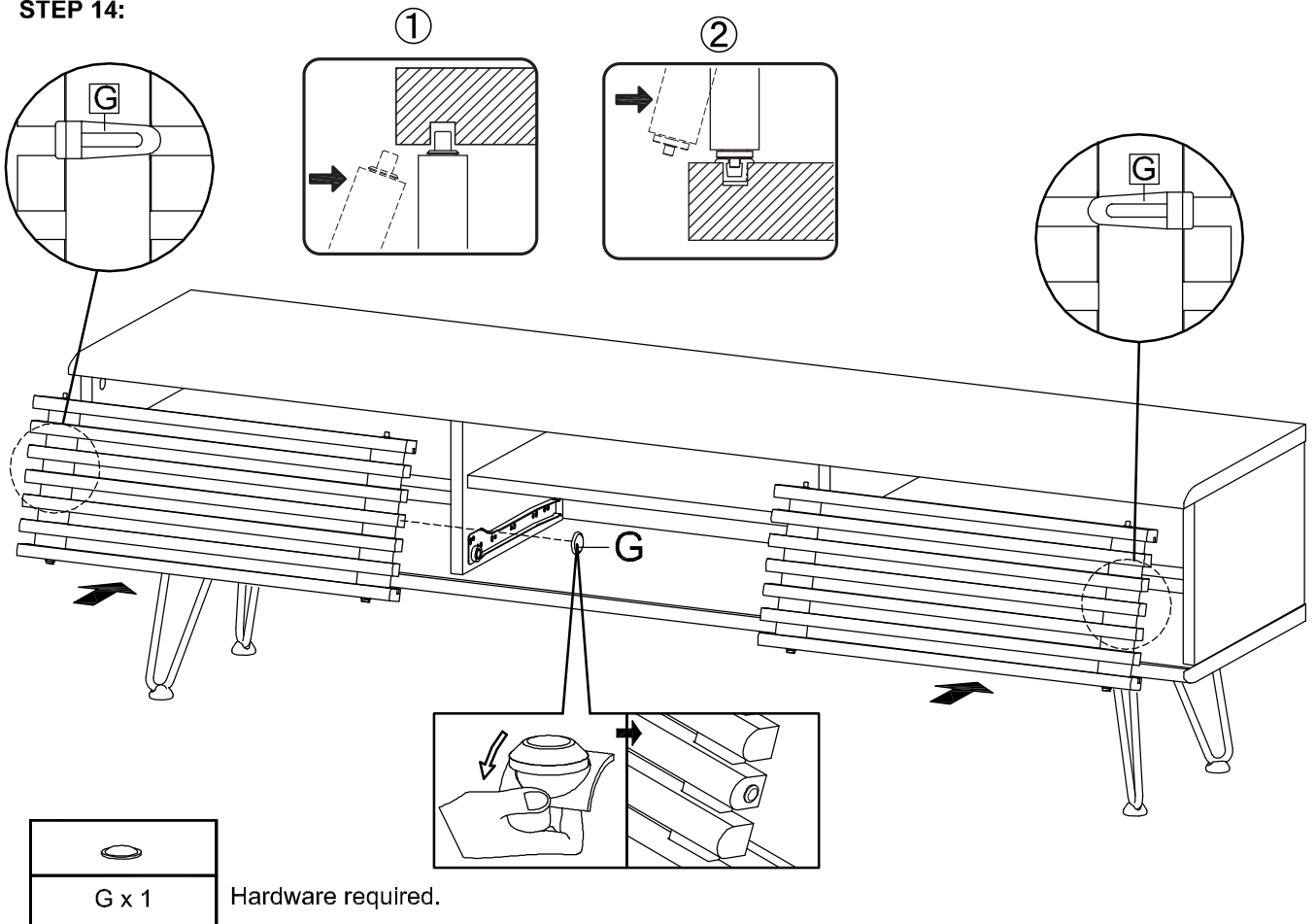
Hardware required.



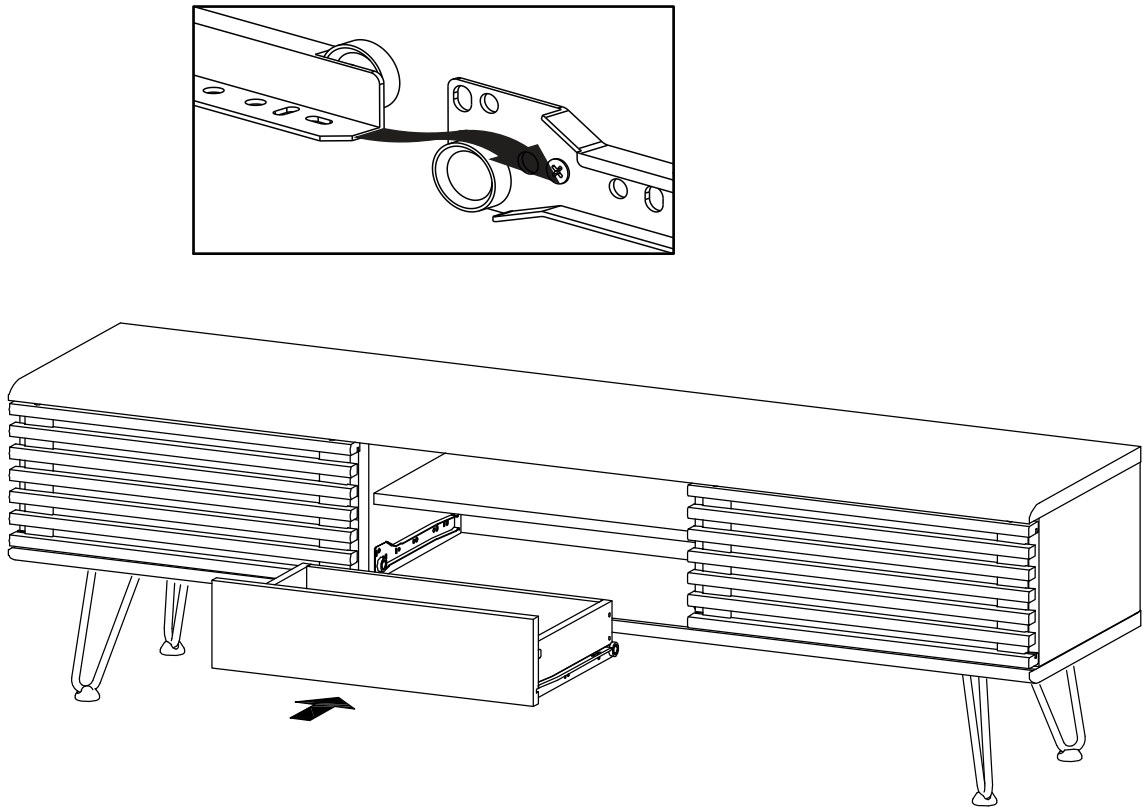
STEP 13:



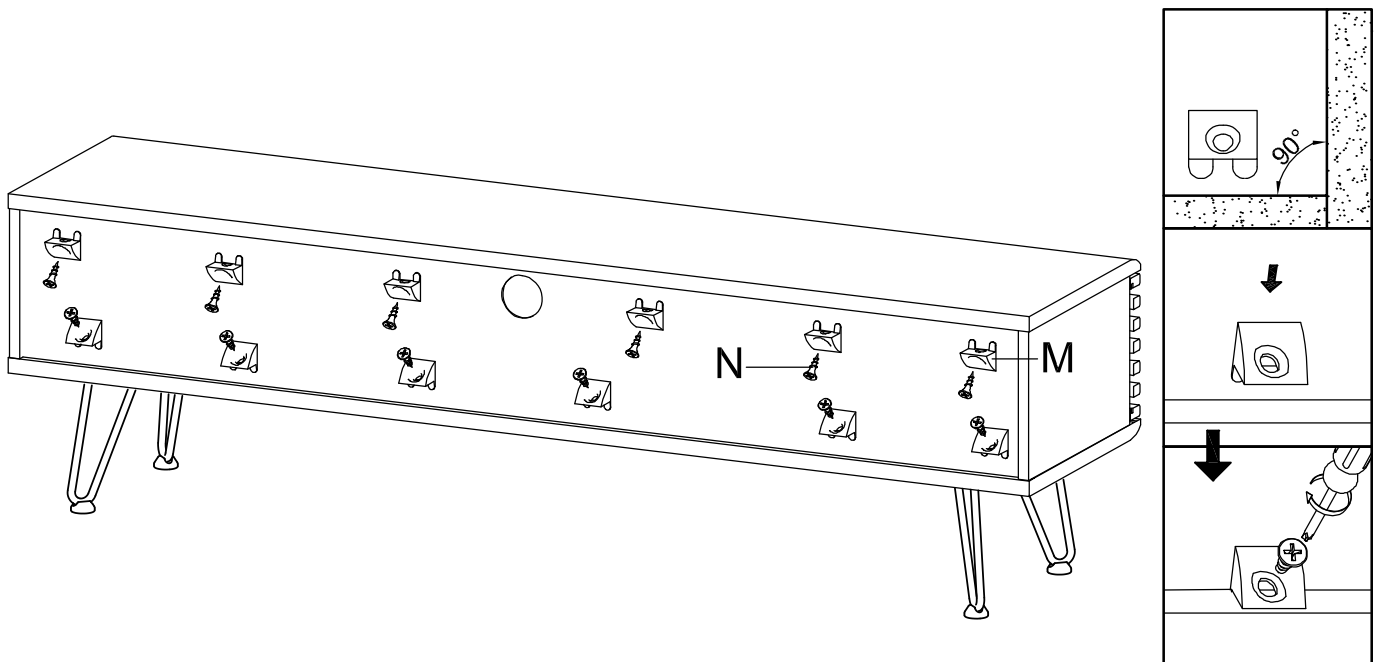
STEP 14:



STEP 15:



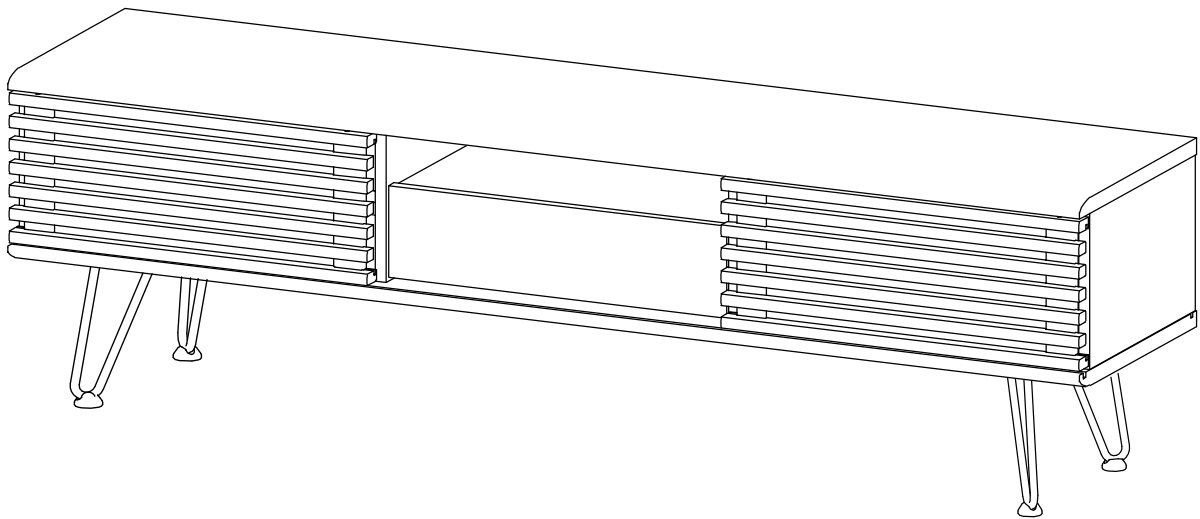
STEP 16:



M x 12	N x 12	X x 1

Hardware required.  
Screwdriver not included

**STEP 17:**



**Assembly is complete. The TV Stand is ready to enjoy now!**