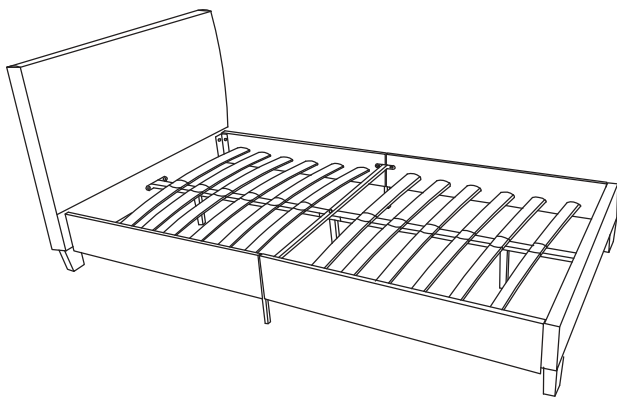



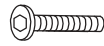

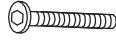



Thank you for purchasing the **MODWAY BED** !

Before you start, here are some helpful advice:

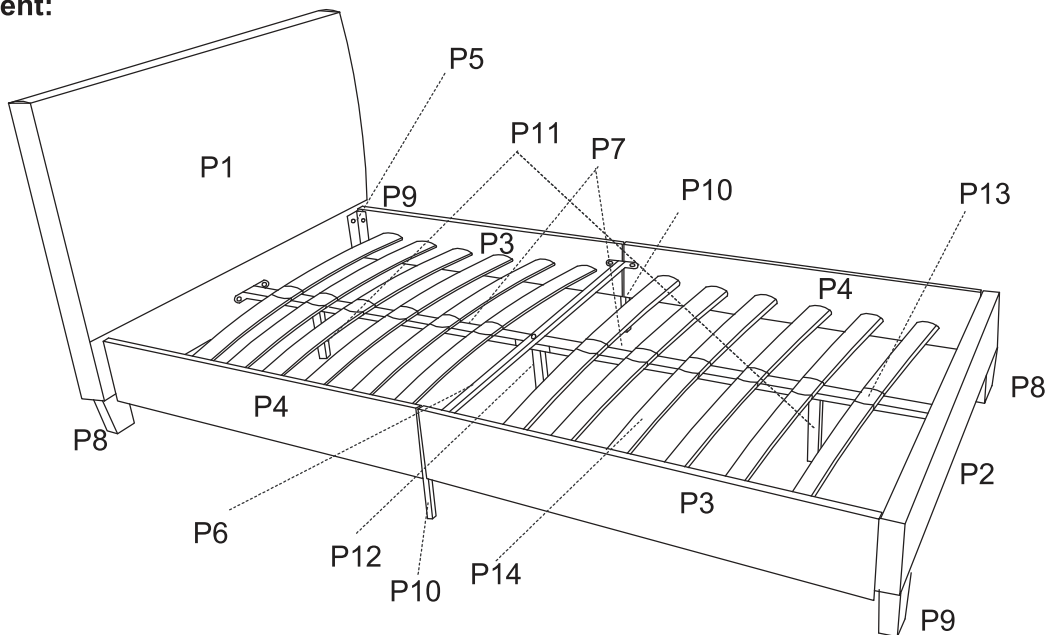
1. We suggest you spend a short time reading through this leaflet and then follow the simple step by step instructions.
2. Owing to the size and weight of the bed, we recommend that it is assembled by two adults, on a carpeted or padded area, in the room that it is intended for. Approx assembly time: 45 minutes.
3. Please do not use any tools other than those provided or recommended in these instructions.
4. Please do not throw away any of the packaging or the instruction until you have checked all the components and hardware and the furniture is fully assembled. Please ensure that the packaging is disposed of in a safe environmentally friendly way.
5. Assemble all components loosely until advised to tighten. Depending on use, it may be necessary to tighten the components from time to time, so please save the tools that has been provided.
6. Please keep all fitting out of reach of children.



Hardware:

A		Bolt M8x20mm	x24
B		Bolt M8x35mm	x4
C		Bolt M8x25mm	x12
D		Bolt M8x60mm	x3
E		Nut M8	x6
F		Allen Wrench	x1
G		Open Wrench	x1
H		Spare parts	

Component:



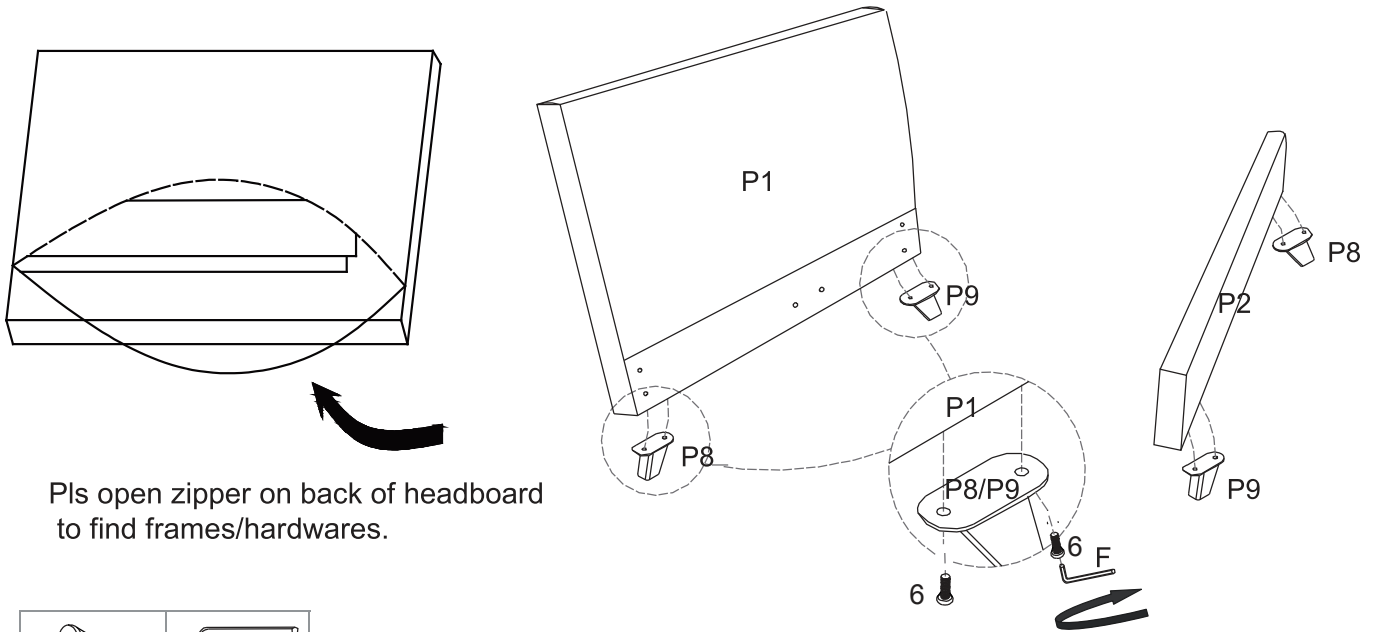
P1 Headboard	x1	P2 Footboard	x1	P3 Side Rail	x2	P4 Side Rail	x2
P5 Metal Corner	x4	P6 Stretcher	x1	P7 Center Rail	x2	P8 Leg	x2
P9 Leg	x2			P10 Short Support Leg	x2	P11 Long Support Leg	x2
P12 Center Support Leg	x1			P13 Plastic Cover	x12	P14 Slat	x24

STEP 1:

Please open the zipper on the back of the headboard to find frames/hardware.

Attach 1 piece of **Leg (P8)** and **Leg (P9)** into the **Headboard (P1)** as shown. Make sure the legs is in outward position.

Secure **Leg(8)** and **Leg (P9)** by using 4 pieces of **Bolts (C)**. Use **Allen Wrench (F)** to tighten **Bolts (C)** clockwise until secure. Repeat the same steps for **Footbaord (P2)**



Pls open zipper on back of headboard to find frames/hardware.

Cx8	Fx1

Hardware & Tool required

STEP 2:

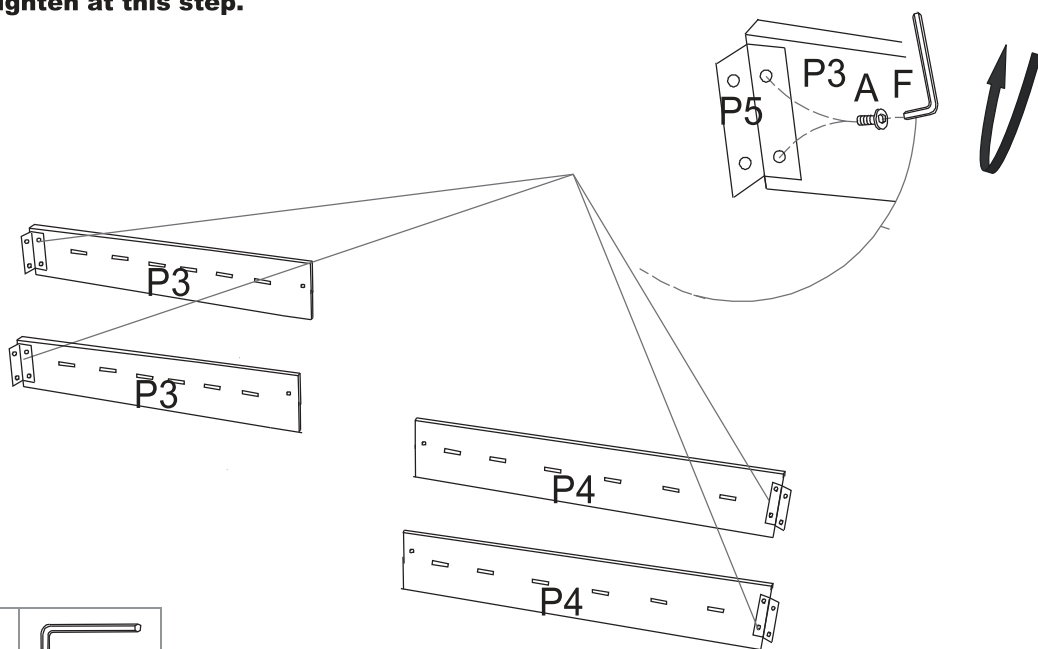
Attach **Metal Corner (P5)** to the end of **Side Rail (P3)** and **Side Rail (P4)**

Secure by using 2 pieces of **Bolts (A)**

Repeat the same steps for the remaining 3 pieces of **Metal Corners (P5)**.

Use **Allen Wrench (F)** to tighten **Bolts (A)**

Do not fully tighten at this step.



Ax8	Fx1

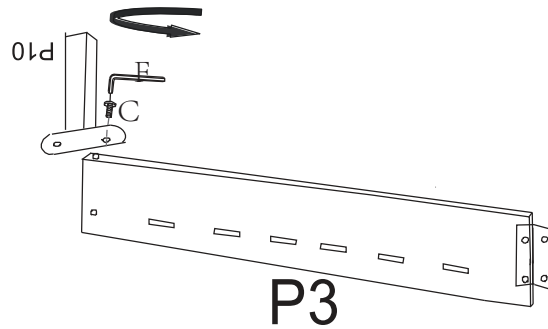
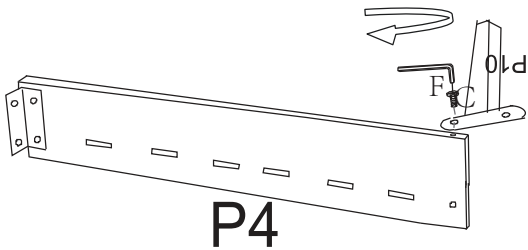
STEP 3:

Attached Support **Legs (P10)** to 1 piece of **Side Rail (P3)** and 1 piece of **Side Rail (P4)**, and secure by using 2 pieces of **Bolts(C)**.

Use **Allen Wrench (F)** to tighten **Bolts (C)**.

These **Side Rail (P3)** and **(P4)** will be used for **step4 /step 5**.

Do not fully tighten at this step.



Cx2	Fx1

Hardware & Tool required

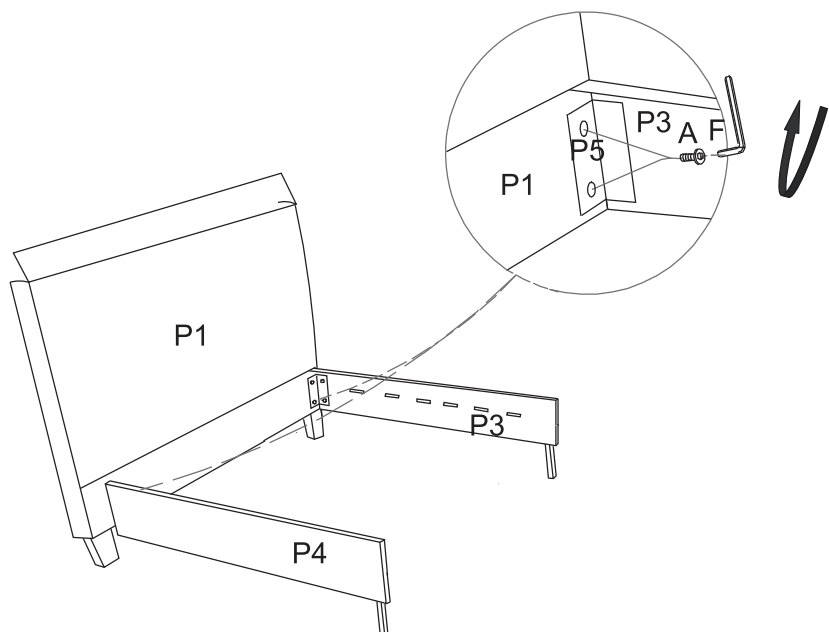
STEP 4:

Attach 1 piece of **Side Rail (P3)** and **(P4)** to **Headbord (P1)**.

Secure through **Metal Corner (P5)** by using 4 pieces of **Bolts (A)** as shown.

Use **Allen Wrench (F)** to tighten **Bolts (A)**.

Do not fully tighten at this step.

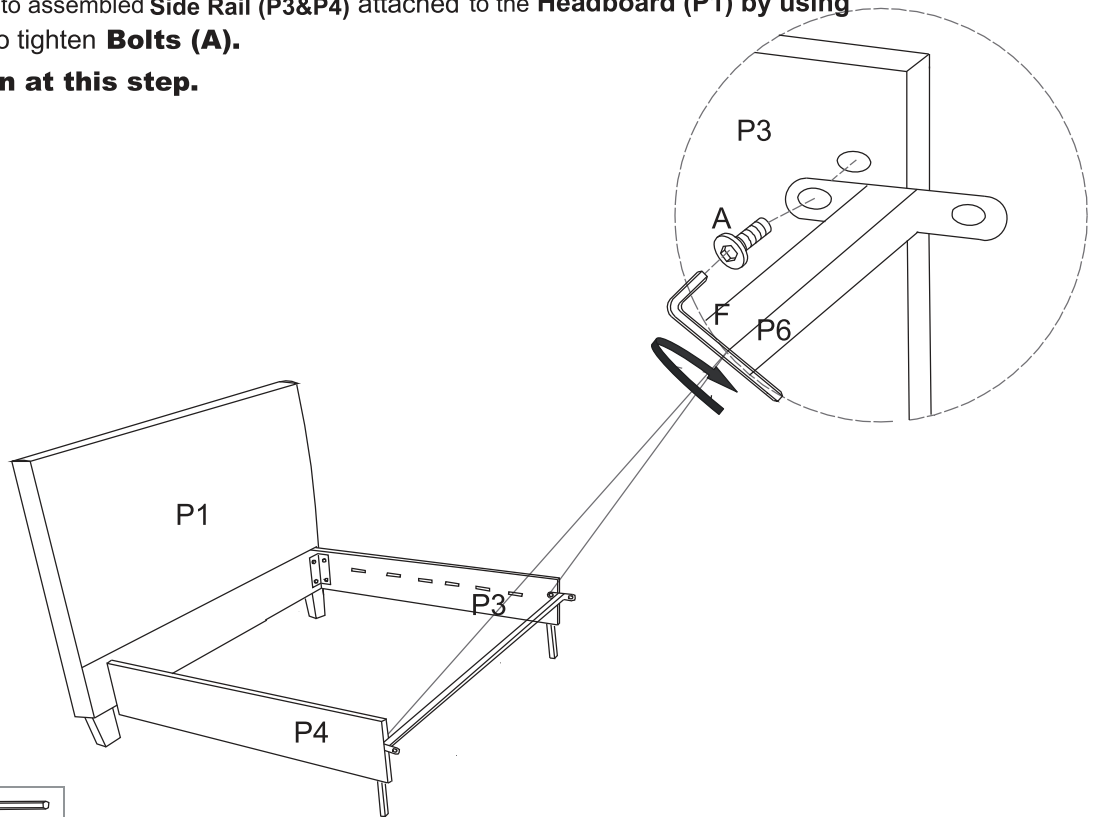


Ax4	Fx1

STEP 5:

Attach **Stretcher (P6)** to assembled **Side Rail (P3&P4)** attached to the **Headboard (P1)** by using **Allen Wrench (F)** to tighten **Bolts (A)**.

Do not fully tighten at this step.



Ax2	Fx1

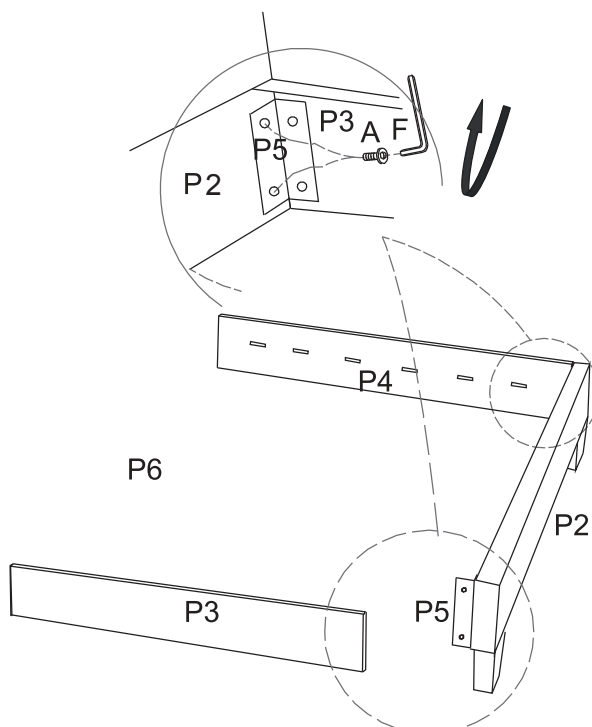
STEP 6:

Attach the remaining 1 piece of **Side Rail (P3&P4)** to **Footboard (P2)**

Secure **Metal Corner (P5)** by using 4 pieces of **Bolts (A)** as shown.

Use **Allen Wrench (F)** to tighten **Bolts (A)**.

Do not fully tighten at this step.



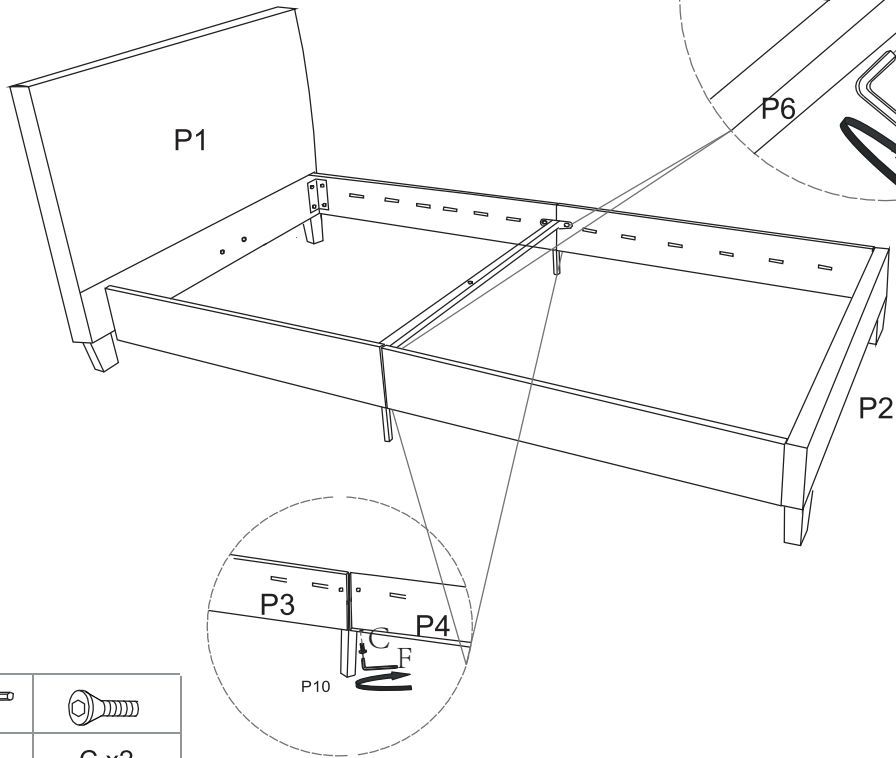
Ax4	Fx1

STEP 7:

Attach **Stretcher (P6)** to **Side Rail (P3)** and **(P4)** attached to **Footboard (P2)**.
 And secure by using 2 pieces of **Bolts (A)**. And use **Allen Wrench (F)** to fix **Bolts (A)**.

Secure Support **Leg (P10)** to **Side Rail (P3&P4)** .
 Use **Allen Wrench (F)** to tighten **Bolts (C)** .

Do not fully tighten at this step.



Ax2	Fx1	C x2

STEP 8:

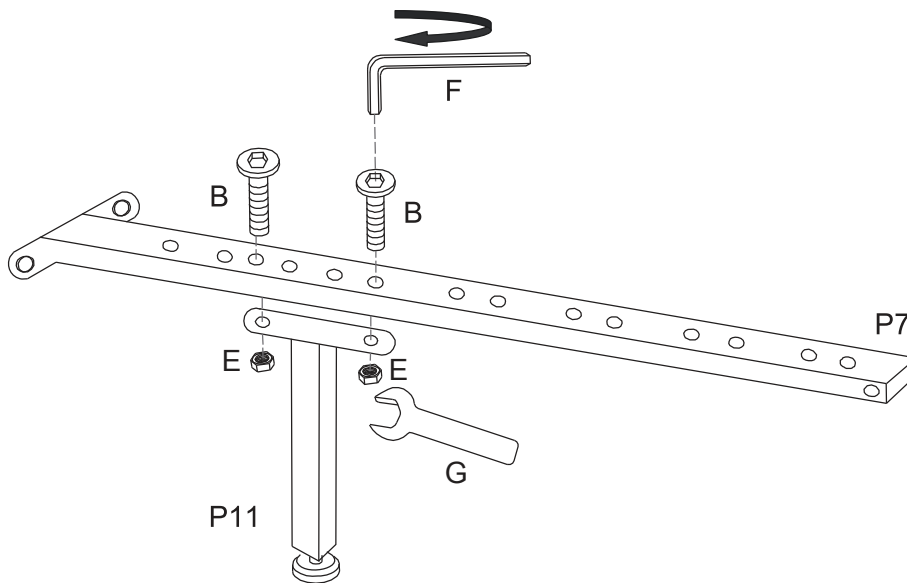
Attached 1 piece of **Long Support Leg (P11)** to 1 piece of **Center Rail (P7)** as shown.

Insert 2 pieces of **Bolts (B)** through the corresponding holes on **Center Rail (P7)** to the holes on **Long Support Leg (P11)**.

Secure by using 2 pieces of **Nuts (E)** .

Use **Allen Wrench (F)** and **Open Wrench (G)** to tighten **Bolts (B)** and **Nuts (E)** until secure.

Repeat the same steps for the remaining **Center Rail (P7)** and **Long Support Leg (P11)**



Bx4	Ex4	Fx1	G x1

Hardware & Tool required

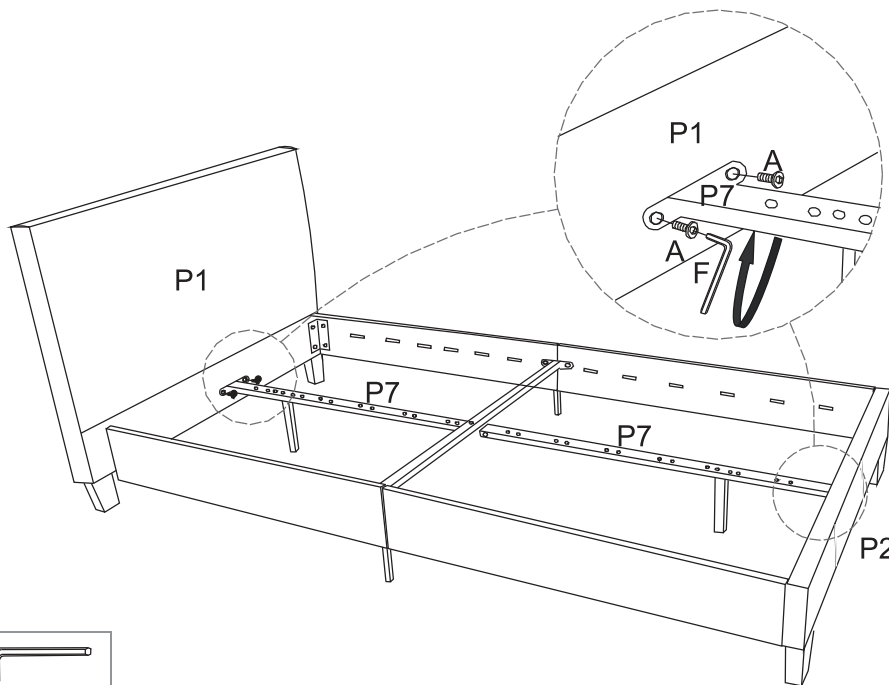
STEP 9:

Attach 1 piece of assembled **Center Rail (P7)** to **Headboard (P1)**.

Secure by using 2 pieces of **Bolt (A)** as shown.

Use **Allen Wrench (F)** to tighten **Bolts (A)**, do not fully tighten **Bolts (A)** at this step.

Repeat the same steps for the remaining assembled **Center Rail (P7)** to **Footboard (P2)**.



Ax4	Fx1

Hardware & Tool required

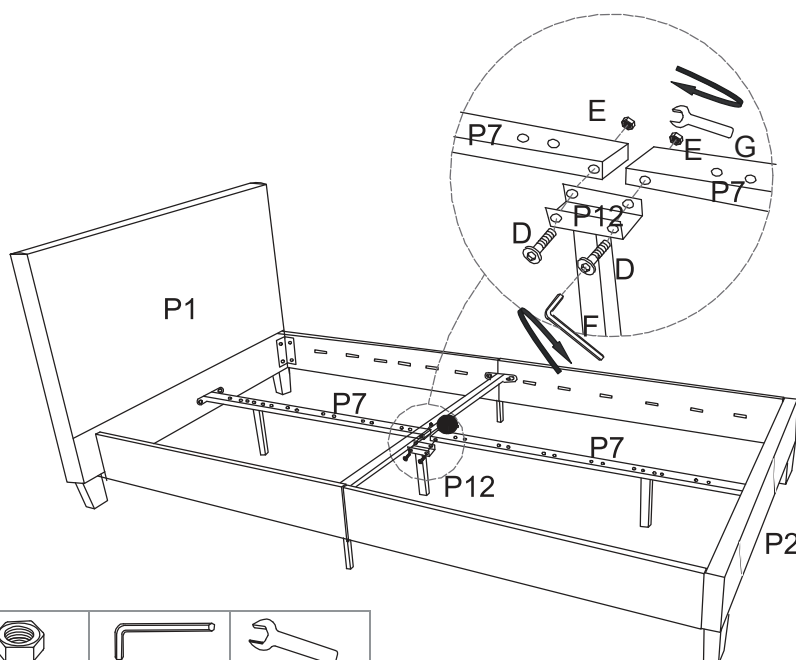
STEP10

Insert the ends of **Center Rail (P7)** into the top of (**P12**)

Insert 2 pieces of **Bolts (D)** from the holes on one side of **Center Support Leg (P12)** through the corresponding holes on each **Center Rail (P7)** to the holes on the other side of **Center Support Leg (P12)**.

Secure by using 2 pieces of **Nuts (E)**

Use **Allen Wrench (F)** and **Open Wrench (G)** to tighten **Bolts (D)** and **Nuts (E)** until secure.

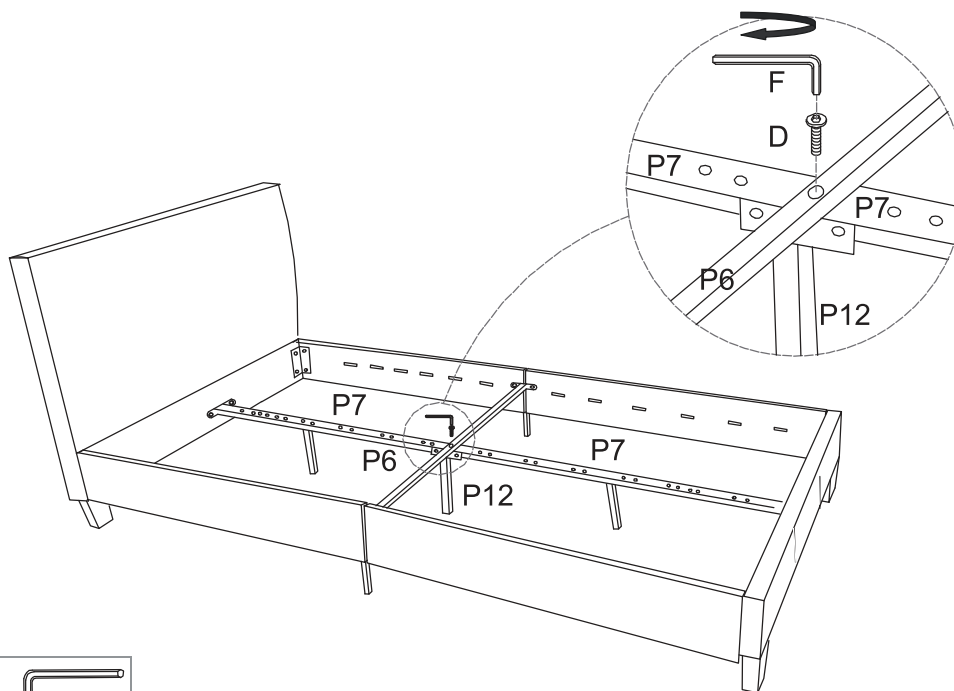


Dx2	Ex2	Fx1	Gx1

Hardware & Tool required

STEP 11

Insert 1 piece of **Bolt (D)** through the holes on **Stretcher (P6)** into the holes on **Center Support Leg (P12)**.
Use **Allen Wrench (F)** to tighten **Bolts (D)**, do not fully tighten **Bolts (D)** at this step.

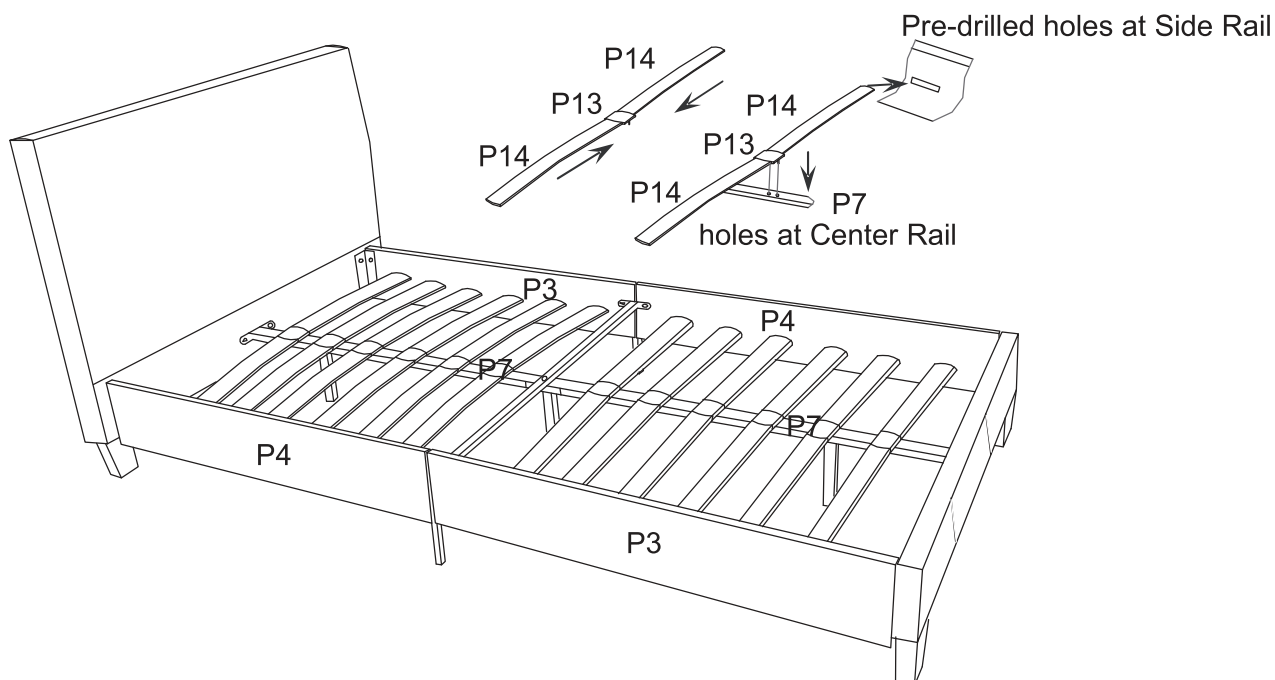


Dx1	Fx1

Hardware & Tool required

STEP 12:

Insert 2 pieces of **Slat (P14)** into 1 piece of **Plastic Cover (P13)** as shown.
Insert the other end of the same **Slats (P14)** into the corresponding pre-drilled holes at each **Side Rail (P3&P4)** as shown.
Then insert the assembled **Plastic Cover (P13)** into the corresponding holes at **Center Rail (P7)**.
Repeat the same steps for the remaining **Slats (P14)**.
After checking all the connections, use **Allen Wrench (F)** to tighten all **Bolts (A&B&C&D)** clockwise until secure.



Assembly is complete. Your bed is ready to be enjoyed now!

Fx1

Hardware & Tool required