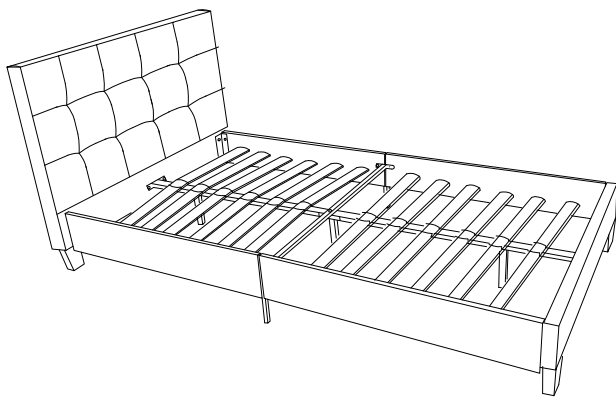




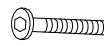





Thank you for purchasing the **MODWAY BED!**

Before you start, here is some helpful advice:

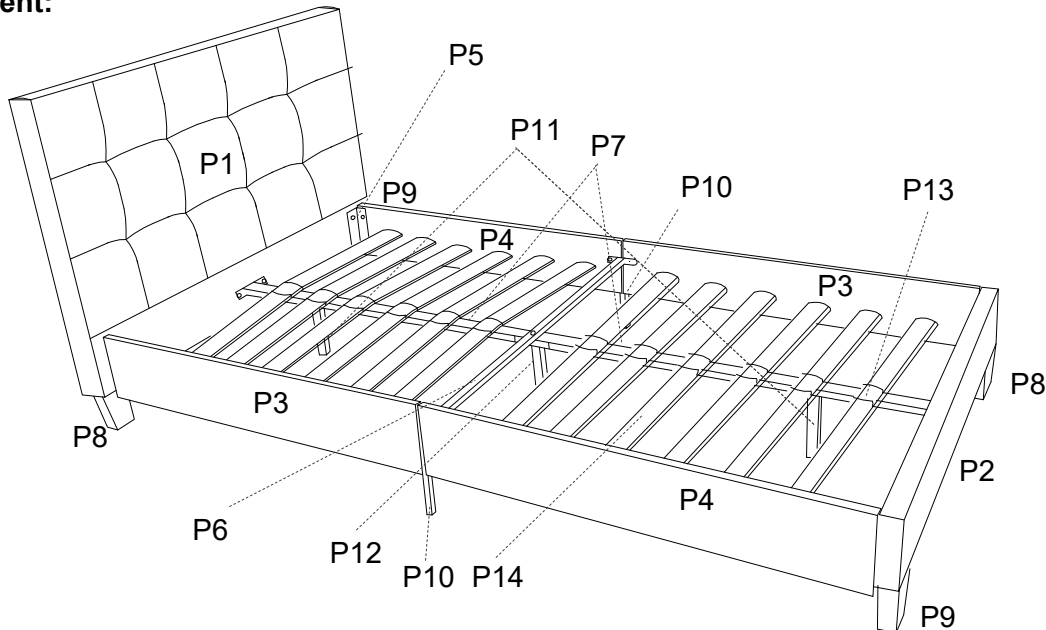
1. We suggest you spend a short time reading through this leaflet and then follow the simple step by step instructions.
2. Owing to the size and weight of the bed, we recommend that it is assembled by two adults, on a carpeted or padded area, in the room that it is intended for. Approx assembly time: 45 minutes.
3. Please do not use any tools other than those provided or recommended in these instructions.
4. Please do not throw away any of the packaging or the instruction until you have checked all the components and hardware and the furniture is fully assembled. Please ensure that the packaging is disposed of in a safe environmentally friendly way.
5. Assemble all components loosely until advised to tighten. Depending on use, it may be necessary to tighten the components from time to time, so please save the tools that has been provided.
6. Please keep all fitting out of reach of children.



**Hardware:**

|   |  |               |     |
|---|--|---------------|-----|
| A |    | Bolt M8x20mm  | x28 |
| B |    | Bolt M8x35mm  | x12 |
| C |    | Bolt M8x60mm  | x3  |
| D |   | Spring Washer | x8  |
| E |  | Flat Washer   | x8  |
| F |  | Nut M8        | x6  |
| G |  | Allen Wrench  | x1  |
| H |  | Open Wrench   | x1  |

**Component:**



|                        |    |              |    |                       |     |                      |     |
|------------------------|----|--------------|----|-----------------------|-----|----------------------|-----|
| P1 Headboard           | x1 | P2 Footboard | x1 | P3 Side Rail          | x2  | P4 Side Rail         | x2  |
| P5 Metal Corner        | x4 | P6 Stretcher | x1 | P7 Center Rail        | x2  | P8 Leg               | x2  |
| P9 Leg                 | x2 |              |    | P10 Short Support Leg | x2  | P11 Long Support Leg | x2  |
| P12 Center Support Leg | x1 |              |    | P13 Plastic Cover     | x12 | P14 Slat             | x24 |

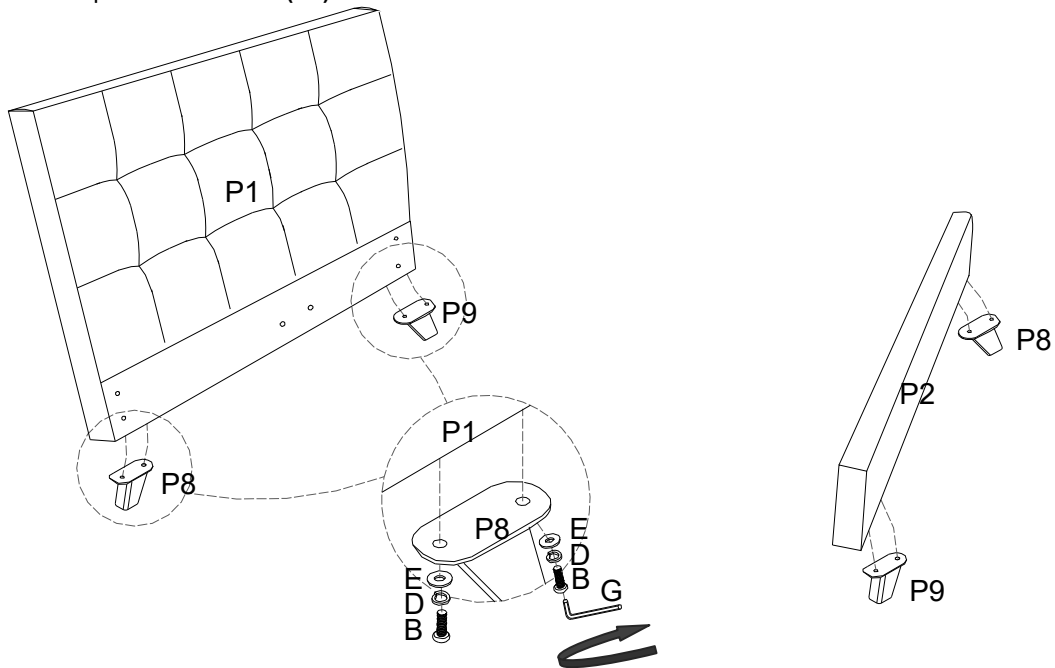
**STEP 1:**

Attach 1 piece of **Leg (P8)** and 1 piece of **Leg (P9)** into **Headboard (P1)** as shown.

Secure by using 4 pieces of **Bolt (B)**, 4 pieces of **Spring Washer (D)** and 4 pieces of **Flat Washer (E)**.

Use **Allen Wrench (G)** to tighten **Bolts (B)** clockwise until secure.

Repeat the same steps for **Footboard (P2)**.



|     |     |     |     |
|-----|-----|-----|-----|
|     |     |     |     |
| Bx8 | Dx8 | Ex8 | Gx1 |

Hardware & Tool required

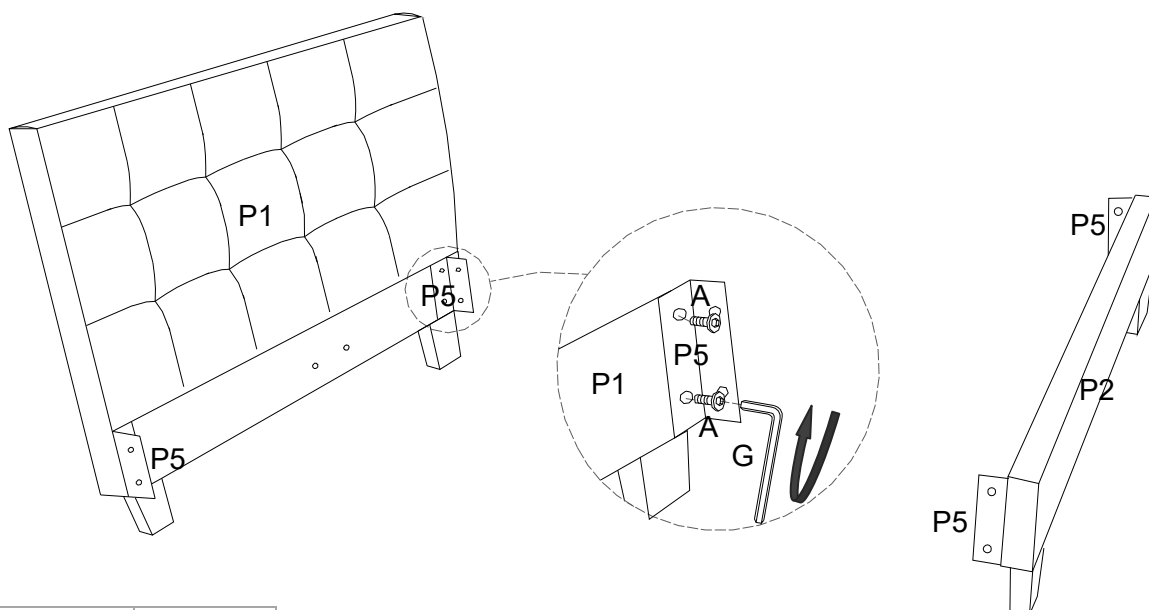
**STEP 2:**

Attach 2 pieces of **Metal Corner (P5)** into **Headboard (P1)**.

Secure by using 4 pieces of **Bolt (A)** as shown.

Use **Allen Wrench (G)** to tighten **Bolts (A)**, do not fully tighten **Bolts (A)** at this step.

Repeat the same steps for **Footboard (P2)**.



|     |     |
|-----|-----|
|     |     |
| Ax8 | Gx1 |

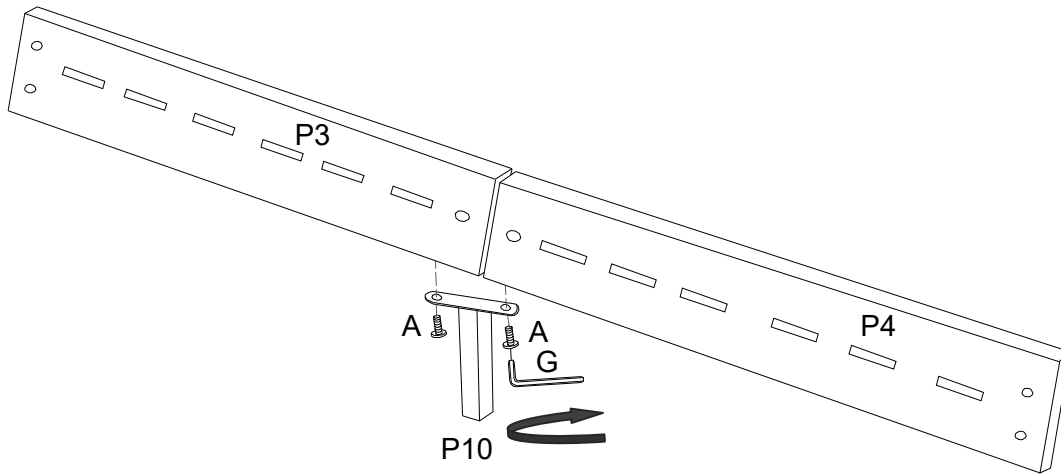
Hardware & Tool required



**STEP 3:**

Connect 1 piece of **Side Rail (P3)** and 1 piece of **Side Rail (P4)** by using 1 piece of **Short Support Leg (P10)** as shown. Secure by using 2 pieces of **Bolt (A)**.

Use **Allen Wrench (G)** to tighten **Bolts (A)** clockwise until secure.

Repeat the same steps for the remaining **Side Rail (P3&P4)** and **Short Support Leg (P10)**.



|   |   |
|---|---|
|  |  |
| Ax4   | Gx1   |

Hardware & Tool required

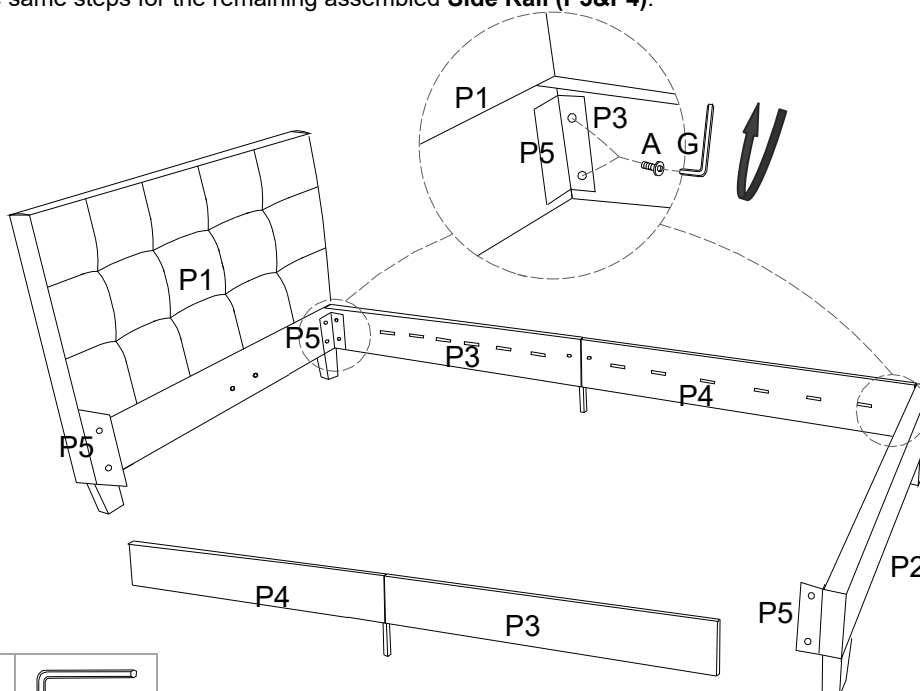
**STEP 4:**



Attach 1 piece of assembled **Side Rail (P3&P4)** to **Headboard (P1)** and **Footboard (P2)**.

Secure through **Metal Corner (P5)** by using 4 pieces of **Bolt (A)** as shown.

Use **Allen Wrench (G)** to tighten **Bolts (A)**, do not fully tighten **Bolts (A)** at this step.

Repeat the same steps for the remaining assembled **Side Rail (P3&P4)**.



|   |   |
|---|---|
|  |  |
| Ax8   | Jx1   |

Hardware & Tool required

**STEP 5:**

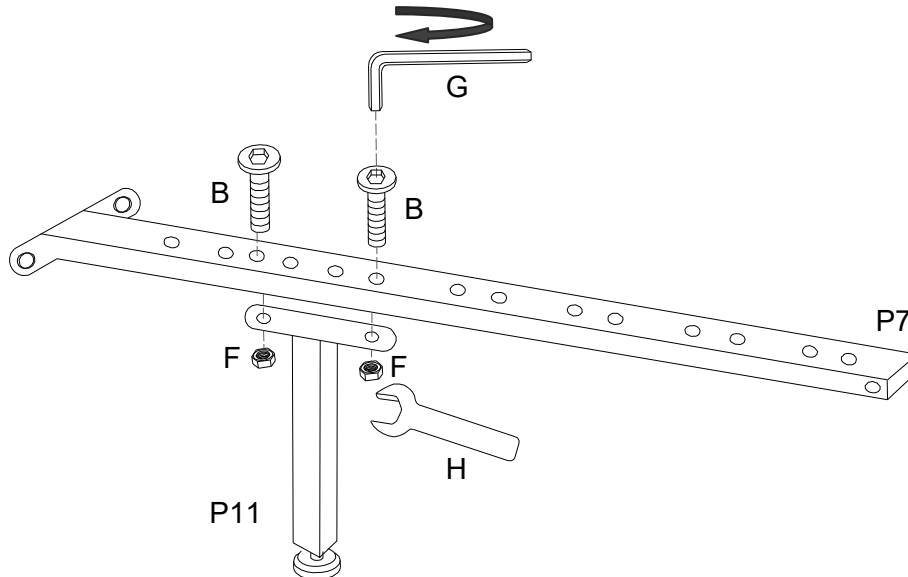
Attach 1 piece of **Long Support Leg (P11)** to 1 piece of **Center Rail (P7)** as shown.

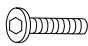



Insert 2 pieces of **Bolt (B)** through the corresponding holes on **Center Rail (P7)** to the holes on **Long Support Leg (P11)**.

Secure by using 2 pieces of **Nut (F)**.

Use **Allen Wrench (G)** and **Open Wrench (H)** to tighten **Bolts (B)** and **Nuts (F)** until secure.

Repeat the same steps for the remaining **Center Rail (P7)** and **Long Support Leg (P11)**.



|   |   |   |   |
|---|---|---|---|
|  |  |  |  |
| Bx4   | Fx4   | Gx1   | Hx1   |

Hardware & Tool required

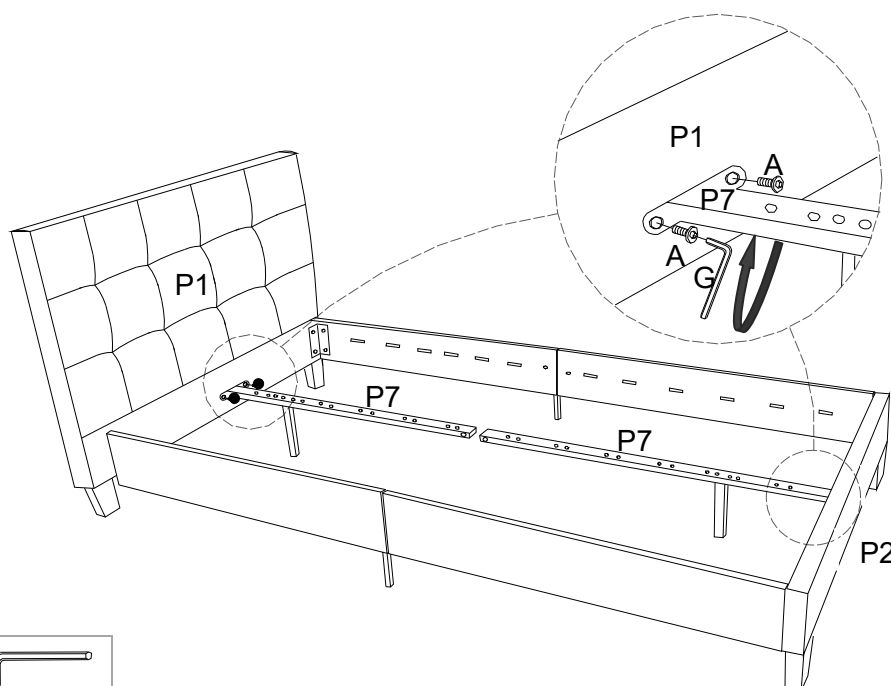
**STEP 6:**



Attach 1 piece of assembled **Center Rail (P7)** to **Headboard (P1)**.

Secure by using 2 pieces of **Bolt (A)** as shown.

Use **Allen Wrench (G)** to tighten **Bolts (A)**, do not fully tighten **Bolts (A)** at this step.

Repeat the same steps for the remaining assembled **Center Rail (P7)** to **Footboard (P2)**.



|   |   |
|---|---|
|  |  |
| Ax4   | Gx1   |

Hardware & Tool required

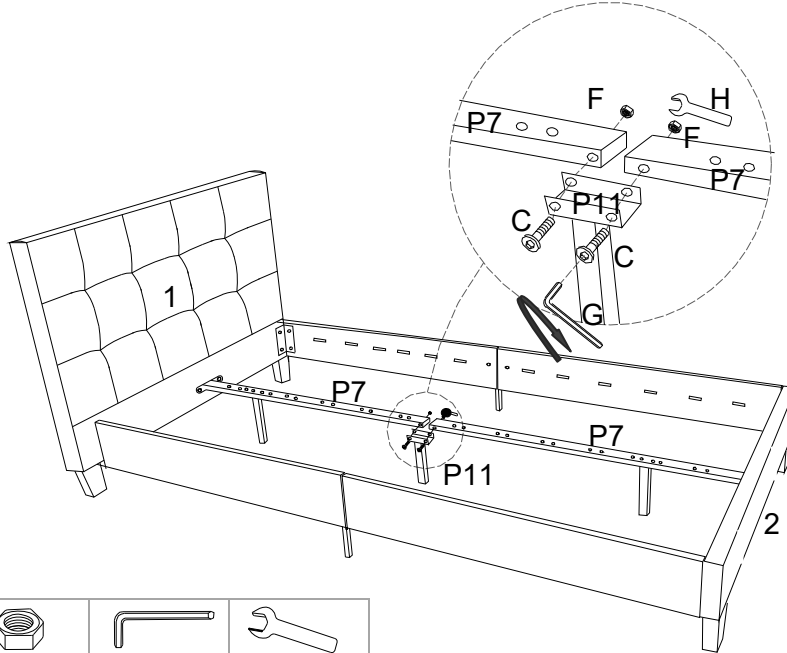
**STEP 7:**

Attach **Center Support Leg (P11)** to each end of **Center Rail (P7)** as shown.

Insert 2 pieces of **Bolt (C)** from the holes on one side of **Center Support Leg (P11)** through the corresponding holes on each **Center Rail (P7)** to the holes on the other side of **Center Support Leg (P11)**.

Secure by using 2 pieces of **Nut (F)**.

Use **Allen Wrench (G)** and **Open Wrench (H)** to tighten **Bolts (C)** and **Nuts (F)** until secure.



|     |     |     |     |
|-----|-----|-----|-----|
|     |     |     |     |
| Cx2 | Fx2 | Gx1 | Fx1 |

Hardware & Tool required

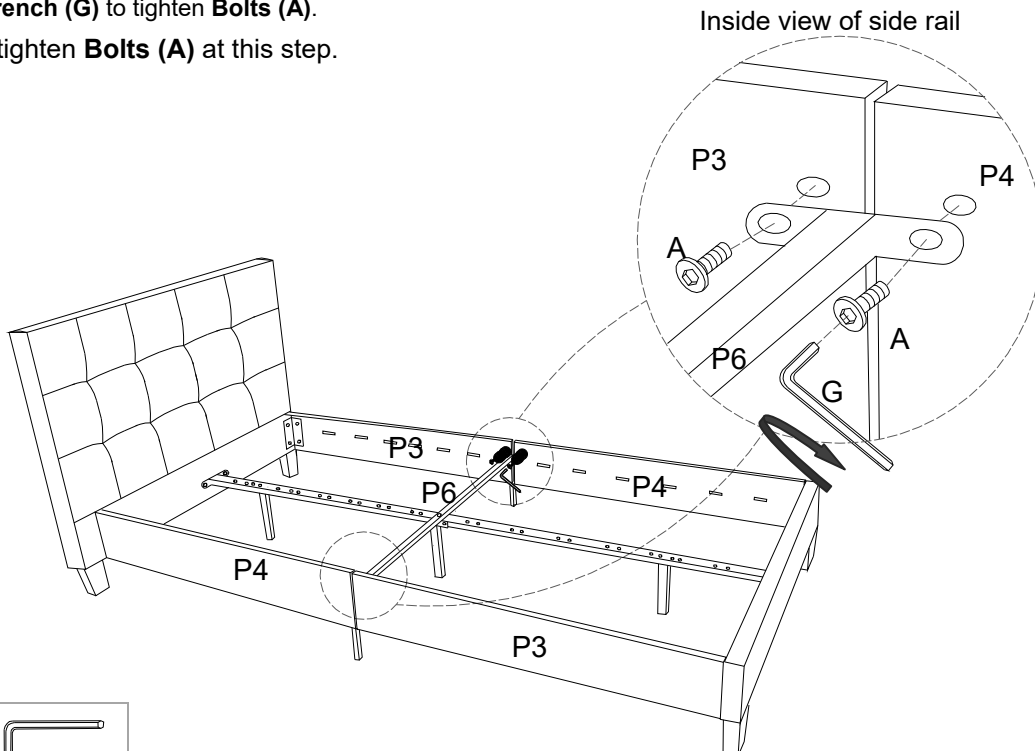
**STEP 8:**

Attach each end of **Stretcher (P6)** to the assembled **Side Rail (P3&P4)**.

Secure by using 4 pieces of **Bolt (A)** as shown.

Use **Allen Wrench (G)** to tighten **Bolts (A)**.

Do not fully tighten **Bolts (A)** at this step.

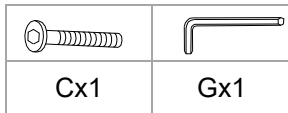
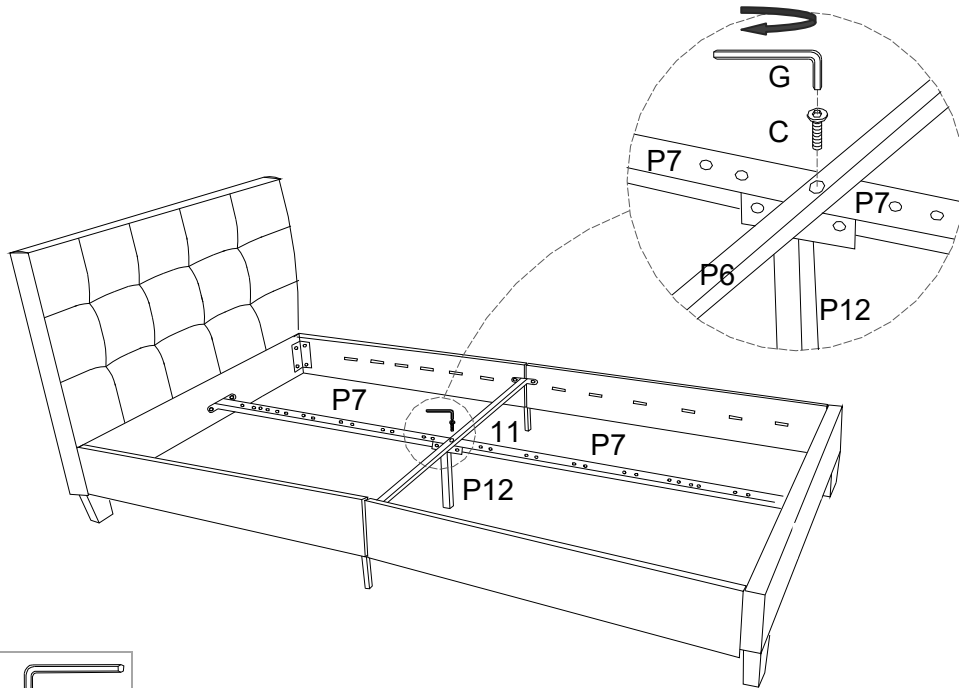


|     |     |
|-----|-----|
|     |     |
| Ax4 | Gx1 |

Hardware & Tool required

**STEP 9:**

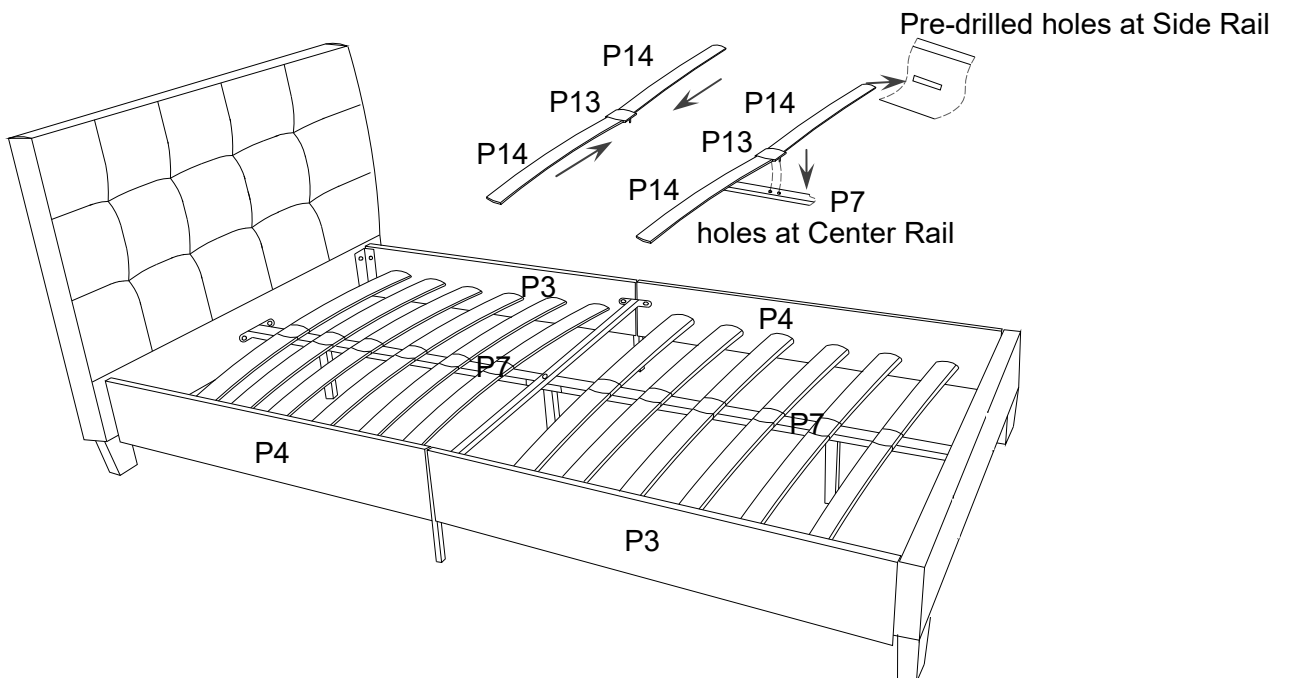
Insert 1 piece of **Bolt (C)** through the holes on **Stretcher (P6)** into the holes on **Center Support Leg (P12)**.  
Use **Allen Wrench (G)** to tighten **Bolts (C)**, do not fully tighten **Bolts (C)** at this step.



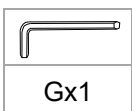
Hardware & Tool required

**STEP 10:**

Insert 2 pieces of **Slat (P14)** into 1 piece of **Plastic Cover (P13)** as shown.  
Insert the other end of the same **Slats (P14)** into the corresponding pre-drilled holes at each **Side Rail (P3&P4)** as shown.  
Then insert the assembled **Plastic Cover (P13)** into the corresponding holes at **Center Rail (P7)**.  
Repeat the same steps for the remaining **Slats (P14)**.  
After checking all the connections, use **Allen Wrench (G)** to tighten all **Bolts (A&B&C)** clockwise until secure.



Assembly is complete. Your bed is ready to be enjoyed now!



Hardware & Tool required