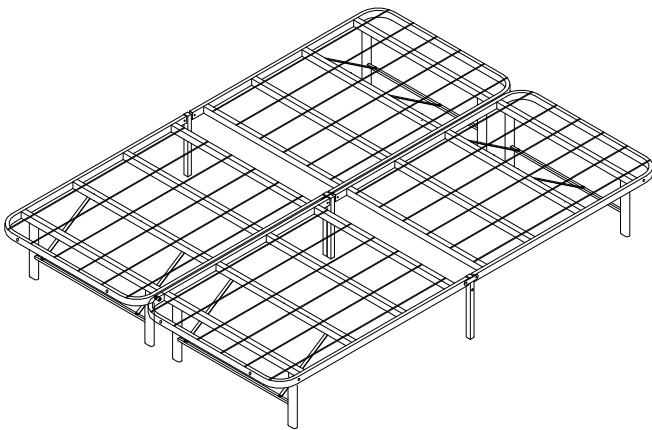



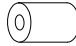

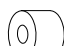


Thank you for purchasing the **MODWAY FULL/QUEEN BED FRAME!**

Before you start, here is some helpful advice:

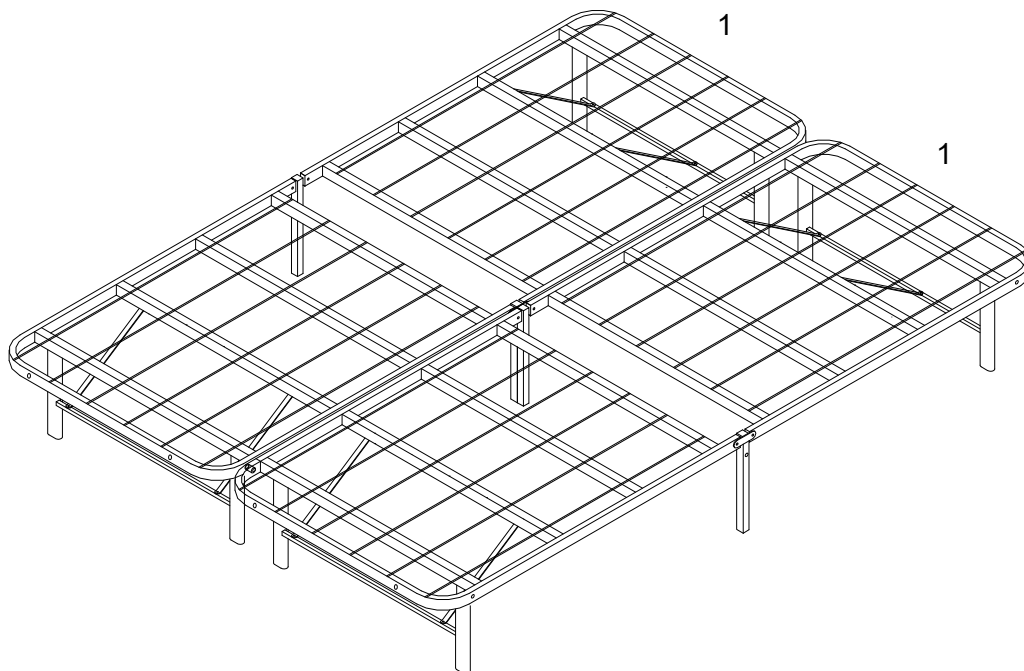
1. We suggest you spend a short time reading through this leaflet and then follow the simple step by step instructions.
2. Owing to the size and weight of the bed frame, we recommend that it is assembled by two adults, on a carpeted or padded area, in the room that it is intended for. Approximate assembly time: 15 minutes.
3. Please do not use any tools other than those provided or recommended in these instructions.
4. Please do not throw away any of the packaging or instructions until you have checked all the components and hardware and the furniture is fully assembled.
5. Assemble all components loosely until advised to tighten. Depending on use, it may be necessary to tighten the components from time to time, so please save the tools that have been provided.
6. Please keep all pieces out of reach of small children.



### Hardware:

A		Bolt	x 3
B		Plastic Washer	x 2
C		Nut	x 3
D		Plastic Washer	x 1
E		Open Wrench	x 1
F		Allen Wrench	x 1

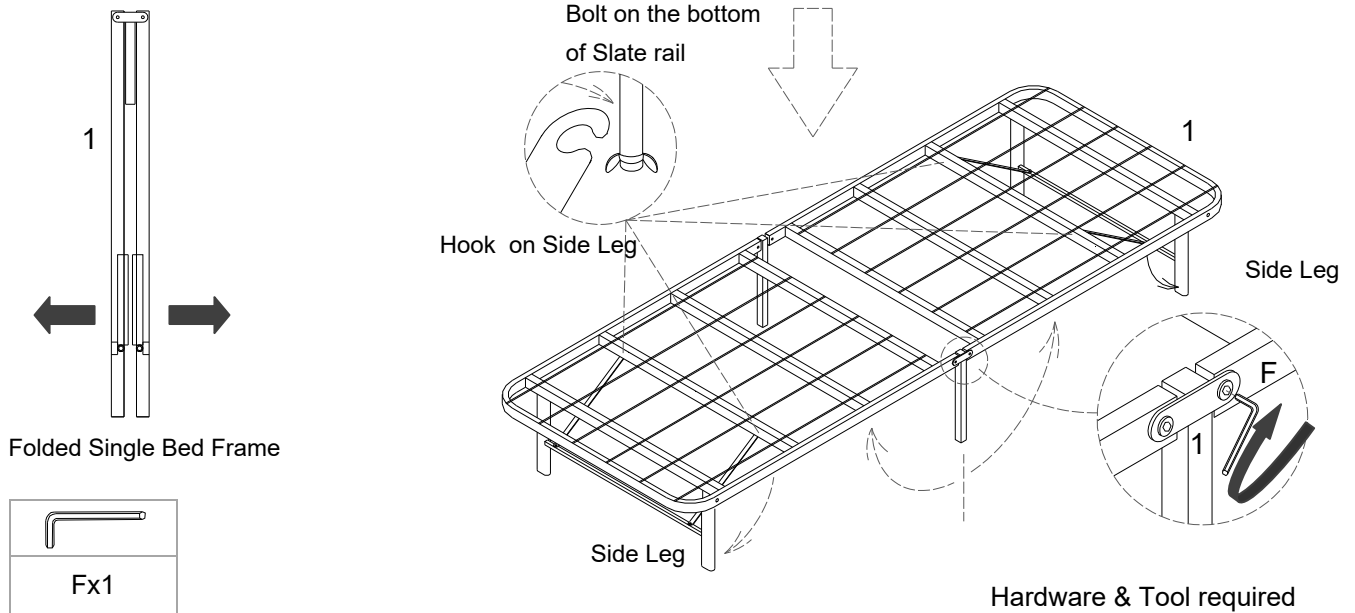
### Component:



1 Single bed Frame x2

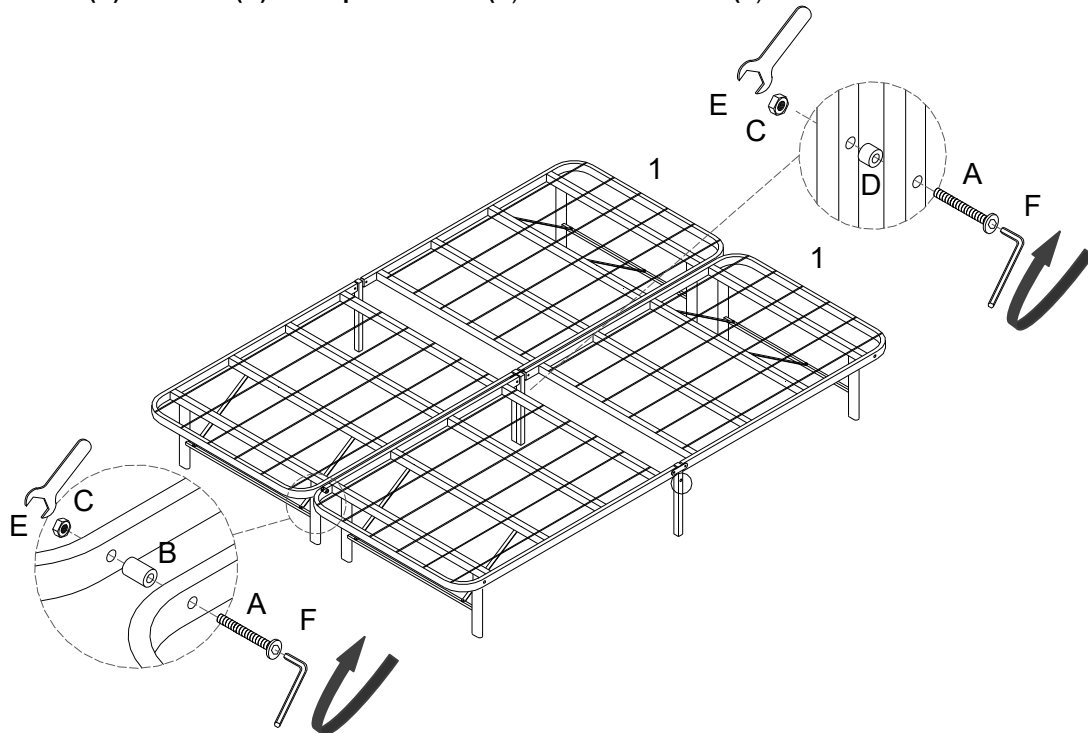
## STEP 1:

Please find the 2pcs of folded **Single Bed Frame (1)** and hardware package in the carton.  
 Then put them on a carpeted or padded area by two adults .  
 Extend 1pc of **Single Bed Frame (1)** and the side Legs as shown.  
 Tighten all the bolts pre-installed on the support legs by using **Allen Wrench (F)**.  
 Lock the 4pcs of hooks on the side leg to the bolts on the bottom of slat rail as shown.  
 Repeat the same steps for the other **Single Bed Frame (1)**.



## STEP 2:

Position the 2pcs of **Single Bed Frame (1)** side by side as shown.  
 Tighten all bolts pre-installed on the support legs by using **Allen Wrench (F)**.  
 Connect the 2pcs of bed frame by using 2pcs of **Bolts (A)**, 2pcs of **Plastic Washer (B)** and 2pcs of **Nut (C)**.  
 Connect the 2pcs of middle support leg by using 1pc of **Bolts (A)**, 1pc of **Plastic Washer (D)** and 1pc of **Nut (C)**.  
 Tighten all **Bolts (A)** and **Nuts (C)** with **Open Wrench (E)** and **Allen Wrench (F)** as shown.



Assembly is completed. The bed frame is ready to enjoy now!

Ax3	Bx2	Cx3	Dx1	Ex1	Fx1

Hardware & Tool required