

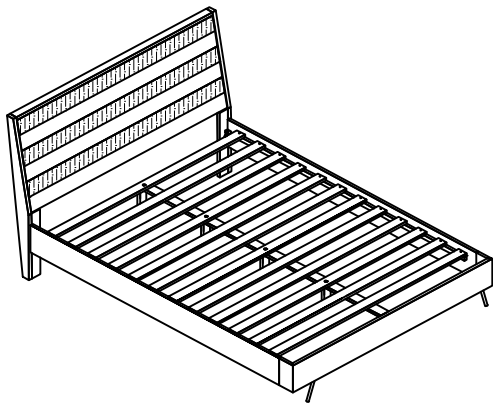
MOD-5831 QUEEN BED



Thank you for purchasing the **MODWAY BED!**

Before you start, here are some helpful advice:

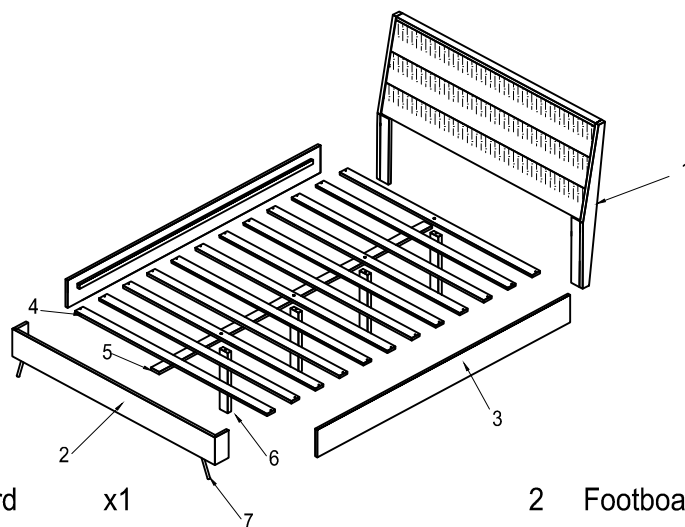
1. We suggest you spend a short time reading through this leaflet and then follow the simple step by step instructions.
2. Owing to the size and weight of the bed, we recommend that it is assembled by two adults, on a carpeted or padded area, in the room that it is intended for. Approximate assembly time: 30 minutes.
3. Please do not use any tools other than those provided or recommended in these instructions.
4. Please do not throw away any of the packaging or the instruction until you have checked all the components and hardware and the furniture is fully assembled. Please ensure that the packaging is disposed of in a safe environmentally friendly way.
5. Assemble all components loosely until advised to tighten. Depending on use, it may be necessary to tighten the components from time to time, so please save the tools that have been provided.
6. Please keep all fitting out of reach of children.



Hardware:

A		JCBC SCREW	M6 X 60	4 pcs
B		SPRING WASHER		4 pcs
C		FLAT WASHER		4 pcs
D		ALLEN KEY	M4	1 pc
E		ALLEN KEY	M5	1 pc
F		SCREW	M4 X 30	24 pcs
G		SCREW	M4 X 16	14 pcs
H		L-BRACKET		1 pc
I		JCBC SCREW	M8 X 20	8 pcs

Component:



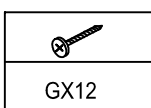
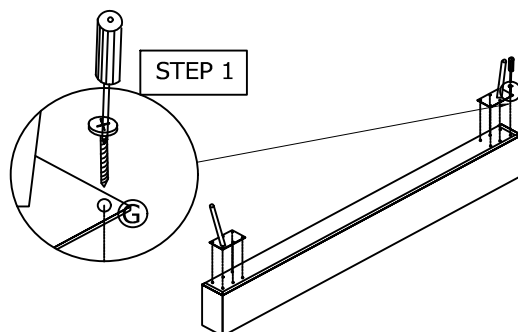
1	Headboard	x1	2	Footboard	x1
3	Side Rail	x2	4	Slats	x12
5	Center Slat	x1	6	Center Leg	x4
7	Footboard Leg	x1			

MOD-5831 QUEEN BED



STEP 1

Attach **Footboard Leg (7)** to the **Footboard (2)** as arrow shown by using **Screw (G)**, screw with Philips screwdriver (not included). Repeat the same steps for the remaining 1 piece of **Footboard Leg**. (DO NOT FULLY TIGHTEN THE SCREW UNTIL ALL ARE IN PLACE)



GX12

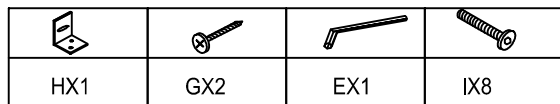
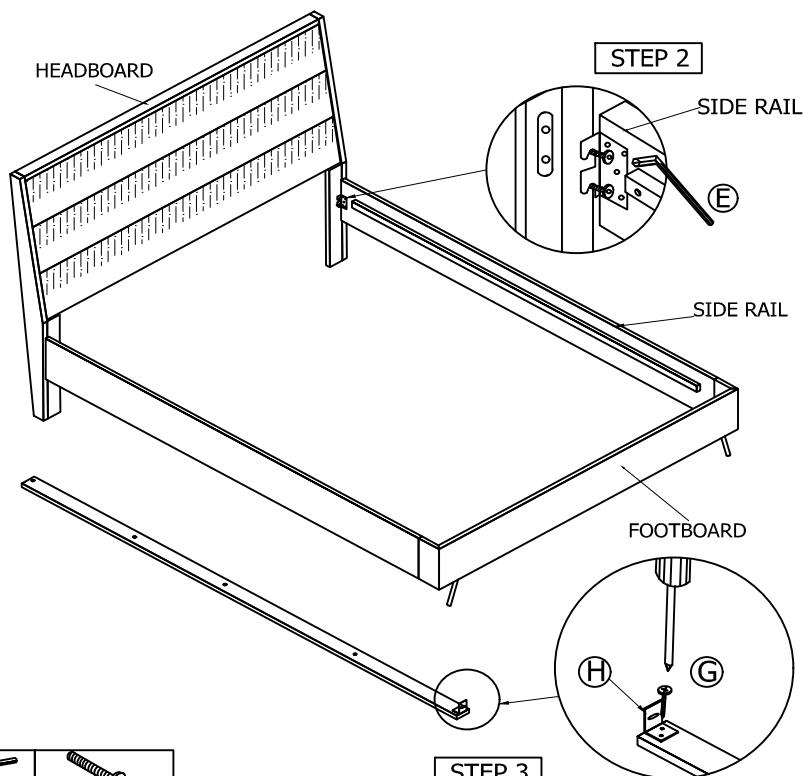
Hardware & Tool required

STEP 2

Place 1 piece of **Side Rail (3)** to the assembled **Footboard (2)** and **Headboard (1)** by two adults. Attach them by using 2 pieces of **JCBC Screw (I)** as shown. Use Allen Key to tighten until secure. Repeat the same steps for the remaining sides of **Side Rail (3)**.

STEP 3

Attach **L-Bracket (H)** to the **Center Slat (5)**, fix the **L-Bracket (H)** by using **Screw (G)**, and tighten by using Philips head screwdriver (not included). Then insert **Center Slat (5)** to the bracket (provided) on **Footboard (2)** and secure with 1 piece **Screw (G)** with Philips head screwdriver (not included).



Hardware & Tool required

MOD-5831 QUEEN BED



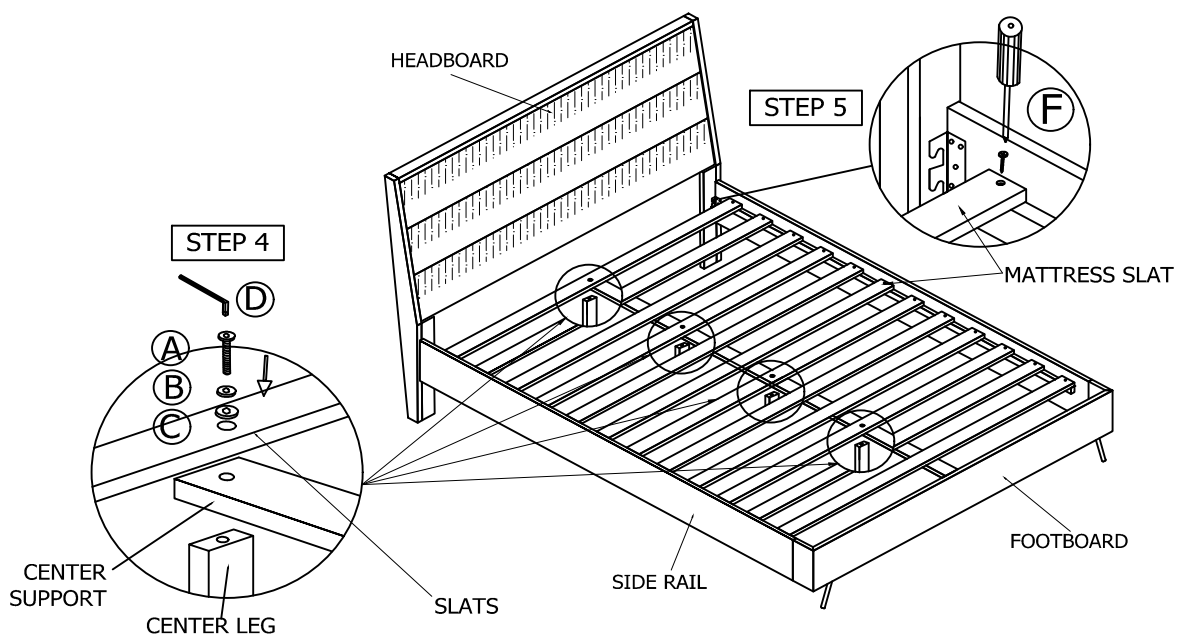
STEP 4

Place the **Slat (4)** to the **Side Rail (3)** and **Center Slat (5)**. Secure by using 4 pieces of **JCBC (A)**, **Spring Washer (B)**, and **Flat Washer (C)** into the pre drilled hole on the **Slat(4)**, **Center Slat (5)** and **Center Leg (6)** as shown. Use **Allen Key (D)** to tighten the Bolts Clockwise until secure.

STEP 5

Screw and fix each end of the **Slats (4)** into the **Side Rail (3)** by using **Screw (F)** as shown. Tighten the **Screw (F)** with Philips head screwdriver (not icluded).

Assembly is complete. The Bed frame is ready to use now!



AX4	BX4	CX4	DX1	FX24

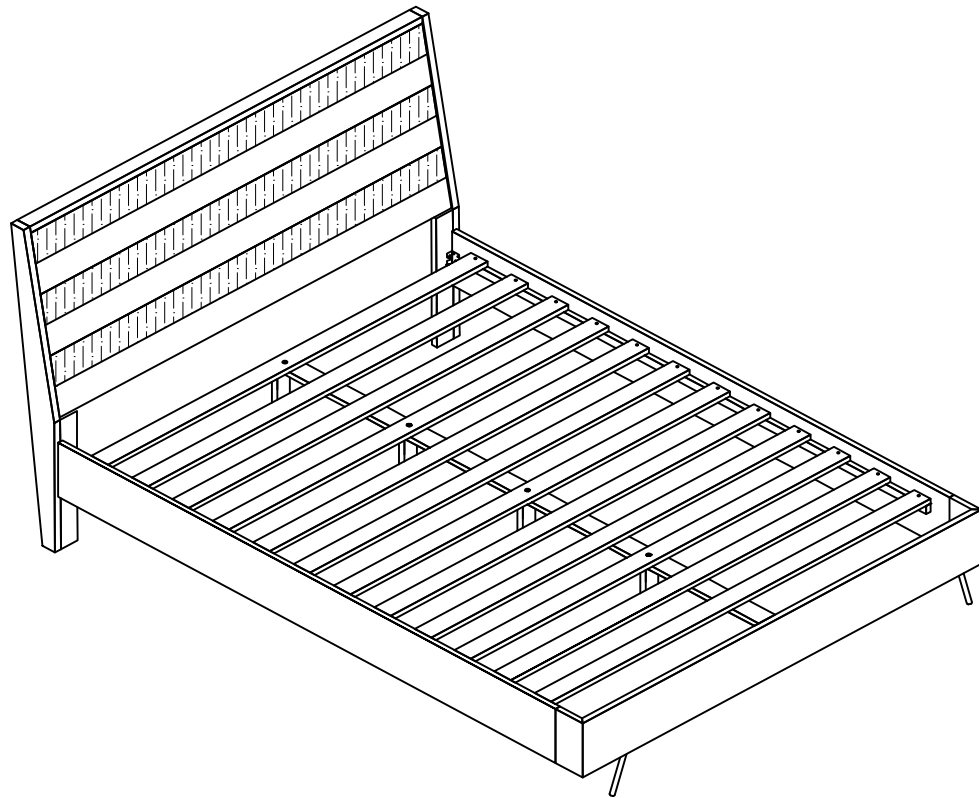
Hardware & Tool required

MOD-5831 QUEEN BED



STEP 6

Carefully position the assembled Bed to the desired location by four adults.



Assembly is complete. The bed is ready to use now!

NOTE: Hardware may loosen over time. Periodically check that all connections are tight.