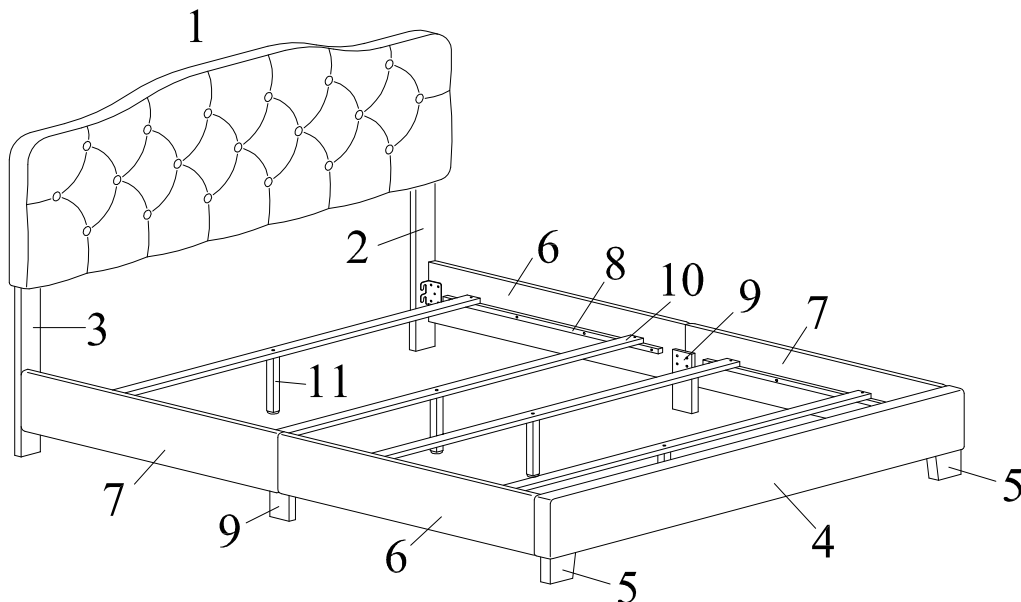


Thank you for purchasing the MOD- 5839 / 5863 / 5991 / 5840 / 5864 / 5992 FULL / QUEEN BED

Before you start, here are some helpful advice:

1. We suggest you that spend a short time reading through this leaflet and then follow the simple step-by-step instructions.
2. Owing to the size and weight of the bed, we recommend that it is assembled by two adults, on a carpeted or padded area, in the room that it is intended for  
Approximate assembly time: 45 minutes.
3. Please do not use any tools other than those provided or recommended in these instructions.
4. Please do not throw away any of the packaging or the instruction until you have checked all the components and hardware and the furniture is fully assembled. Please ensure that the packaging is disposed of in a safe and environmentally friendly way.
5. Assemble all components loosely until advised to tighten. Depending on use, it may be necessary to tighten the components from time to time, so please save the tools that have been provided.
6. Please keep all fitting out of reach of children.

## Component:



1) Headboard	x1	2) Low Post (Left)	x1	3) Low Post (Right)	x1	4) Footboard	x1
5) Footboard Legs	x2	6) Side Rails	x2	7) Side Rails	x2	8) Cleat	x4
9) Side Rail Support Legs	x2	10) Slats	x4	11) Support legs	x4		

(WITH ADJUSTABLE FEET)

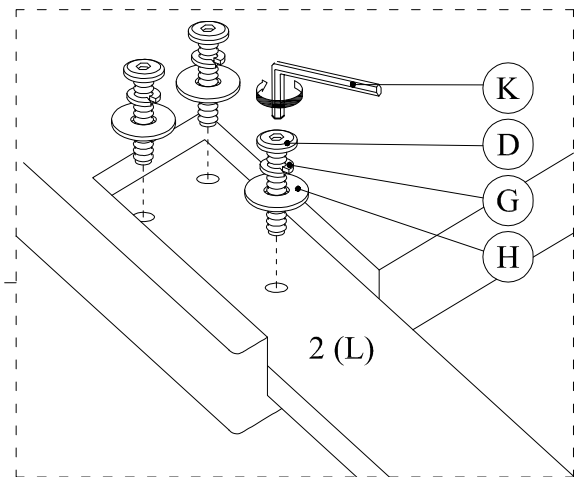
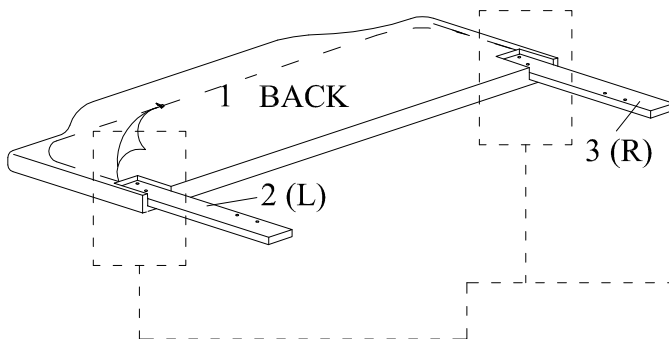
Hardware list:

<b>A</b>		Bolt M8 x 20MM	x8	<b>G</b>		SPRING WASHER	x30
<b>B</b>		Bolt M6 x 25MM	x8	<b>H</b>		FLAT WASHER	x30
<b>C</b>		Bolt M6 x 35MM	x20	<b>I</b>		SCREW M4 x 32MM	x8
<b>D</b>		Bolt M6 x 50MM	x6	<b>J</b>		ALLEN KEY M5 x 65MM	x1
<b>E</b>		Bolt M6 x 70MM	x2	<b>K</b>		ALLEN KEY M4 x 100MM	x1
<b>F</b>		WOOD DOWEL	x2				

STEP 1:

Put the **Headboard (1)** upside down on a carpeted or padded area by two adults. Then remove all the Component and Hardware Pack from the back side of **Headboard (1)**. Attach **Low Post Left (2)** and **Low Post Right (3)** to the **Headboard (1)**. Secure **Low Post Left (2)** by using **3x Bolt (D)**, **3x Spring Washer (G)** and **3x Flat Washer (H)**, tighten with supplied **Allen Key (K)**, repeat the same procedure to secure the **Low Post Right (3)**.

Note: do not fully-tighten nuts and bolts until all nuts and bolts are partially tightened.

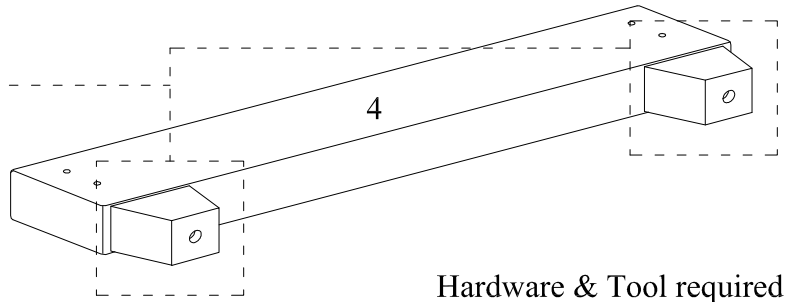
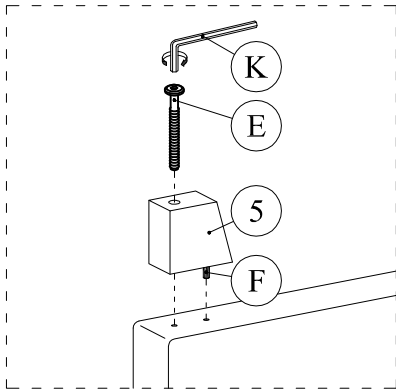


Hardware & Tool required

D x 6	G x 6	H x 6	K x 1

## STEP 2:

Insert 1x Wood Dowel (F) to the Footboard Leg (5) then attach the Footboard Leg (5) to the bottom of the Footboard (4) by using 1x Bolt (E). Tighten with supplied Allen Key (K), repeat the same procedure to secure the other side.

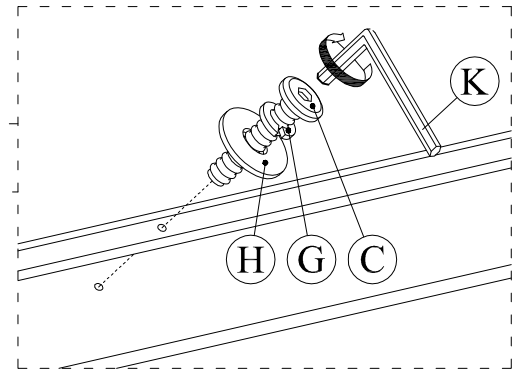
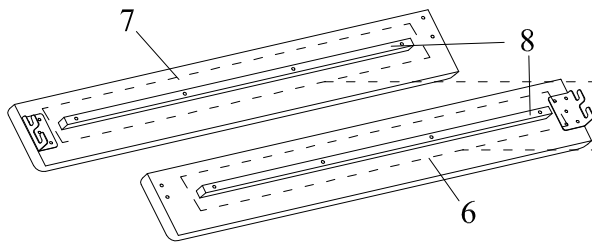


Hardware & Tool required

E x 2	F x 2	K x 1

## STEP 3

Attach Cleat (8) to each other by lining up the holes with those of the Side Rails (6) & (7). Secure each one with 4x Bolts (C), 4x Spring Washers (G) and 4x Flat Washers (H). Tighten with supplied Allen Key (K), repeat the same procedure to secure the other side.

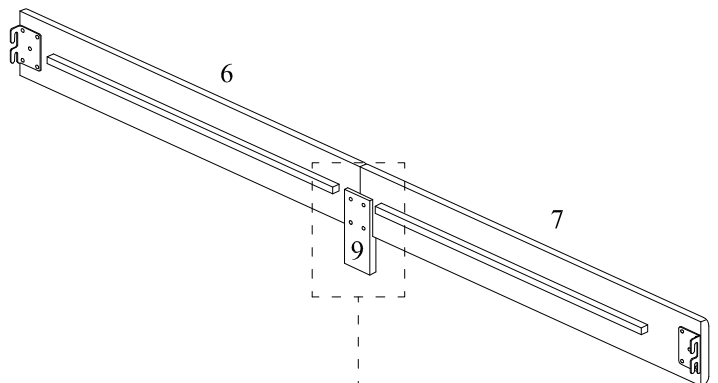
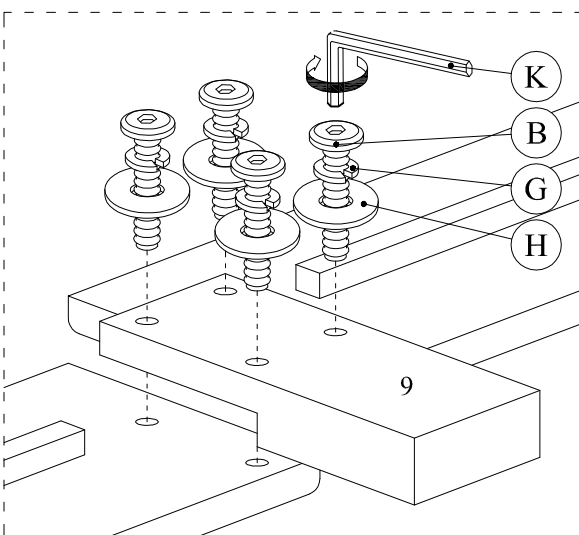


Hardware & Tool required

C x 16	G x 16	H x 16	K x 1

## STEP 4

Attach Side Rails (6) & (7) to each other by lining up the holes with those of the Side Rail Support Legs (9). Secure each one with 4x Bolts (B), 4x Spring Washers (G) and 4x Flat Washers (H). Tighten with supplied Allen Key (K), repeat the same procedure to secure the other side.

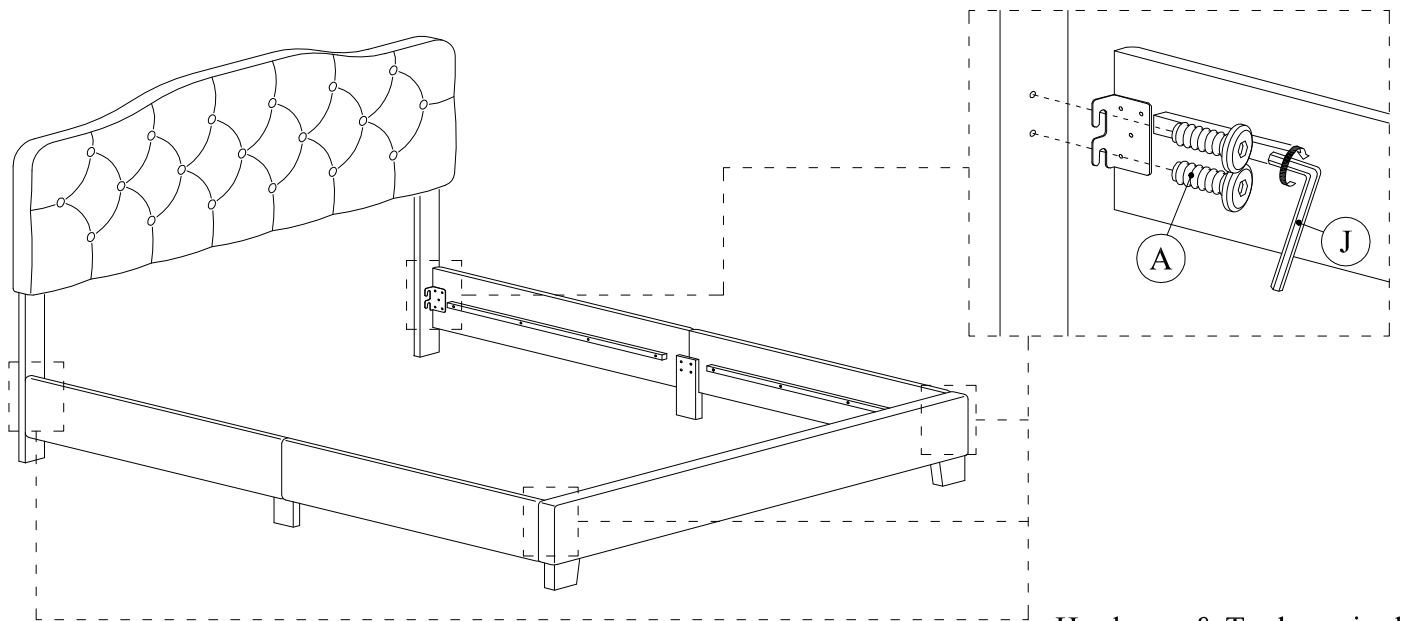


Hardware & Tool required

B x 8	G x 8	H x 8	K x 1

## STEP 5

Attach **Side Rails (6) & (7)** to **Low Post (2) & (3)** and to the **Footboard (4)** using **2x Bolts (A)** per side. Tighten with supplied **Allen Key (J)**.

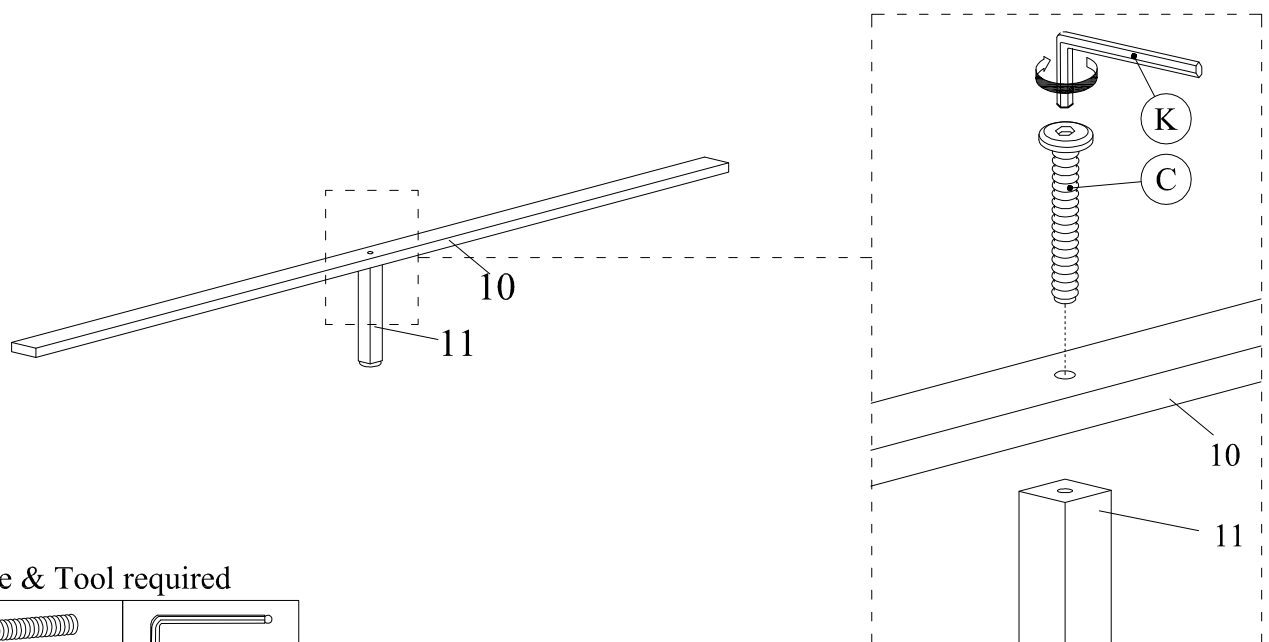


Hardware & Tool required

A x 8	I x 1

## STEP 6

Attach **1x Support Leg With Adjustable Feet (11)** to the each **Slat (10)** by using **1x Bolt (C)**. Tighten with supplied **Allen Key (K)**, repeat the same procedure to secure the other set.

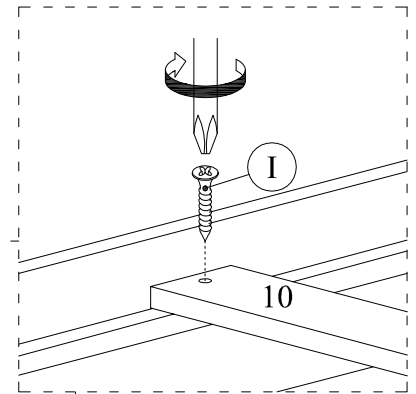
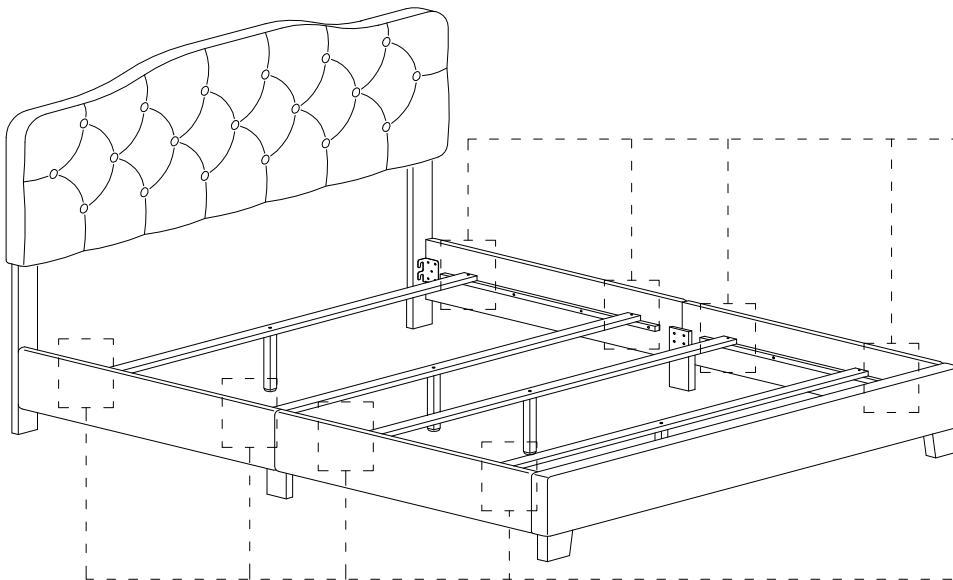


Hardware & Tool required

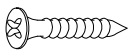

C x 4	K x 1

## STEP 7

Attach the assembled **Slat (10)** and **Support Leg (11)** to the **Side Rail (6) & (7)** using **2x Screws (H)** per each end of the **Slat (10)**. Tighten screws with Phillips head screwdriver (not provided). Repeat the same procedure to secure the other sets.

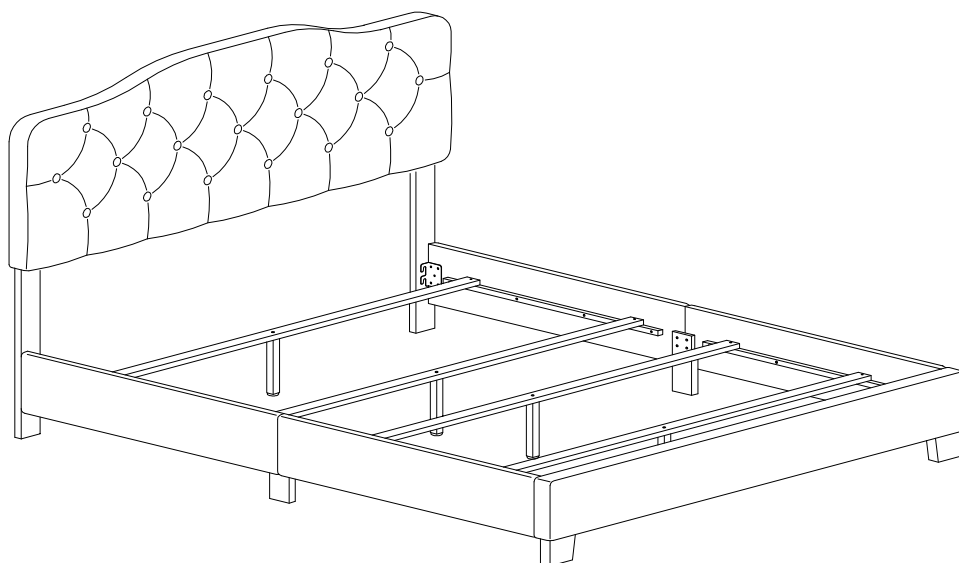


### Hardware & Tool required

	
I x 8	Phillips Head Screw Driver (not provided)

## STEP 8

Carefully position the assembled bed to the desired location by four adults.



Assembly is complete. The bed is ready to use now!

**NOTE:** Hardware may loosen over time. Periodically check that all connections are tight.