

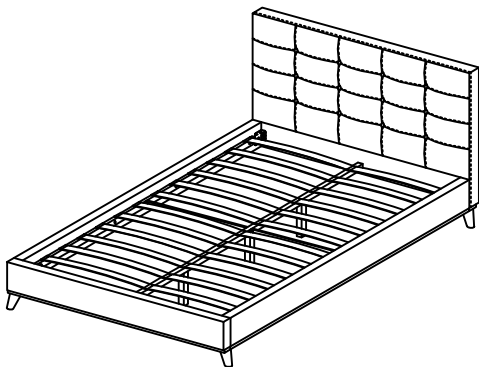
MOD - 6005 / 6006 QUEEN BED



Thank you for purchasing the **MODWAY BED!**

Before you start, here are some helpful advice:

1. We suggest you spend a short time reading through this leaflet and then follow the simple step instructions.
2. Owing to the size and weight of the bed, we recommend that it is assembled by two adults, on a carpeted or padded area, in the room that it is intended for. Approx assembly time: 30 minutes.
3. Please do not use any tools other than those provided or recommended in these instructions.
4. Please do not throw away any of the packaging or the instruction until you have checked all the components and hardware and the furniture is fully assembled. Please ensure that the packaging is disposed of in a safe environmentally friendly way.
5. Assemble all components loosely until advised to tighten. Depending on use, it may be necessary to tighten the components from time to time, so please save tools that have been provided.
6. Please keep all fitting out of reach of children.

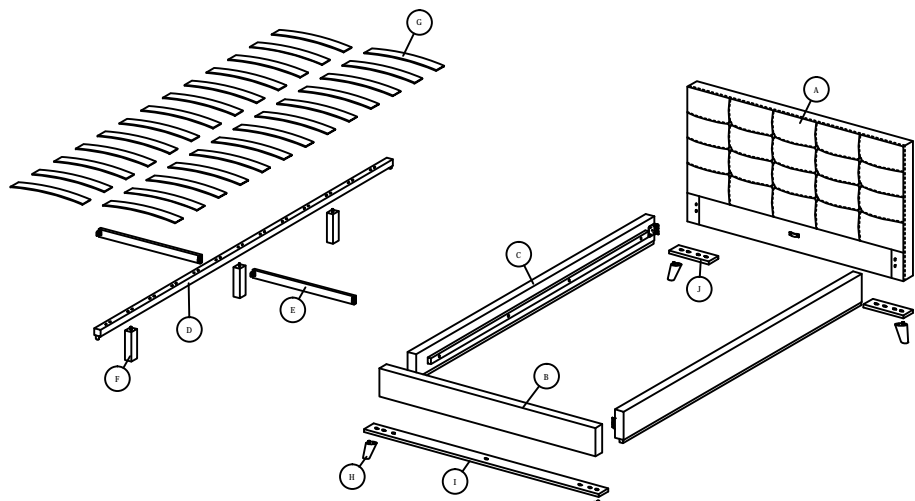


Hardware:

1		JCBC BOLT M6 x 40	4 PCS
2		JCBB BOLT M8 x 40	7PCS
3		WOOD SCREW M3.5 x 16mm	8 PCS
4		WOOD SCREW M4 x 20mm	2 PCS
5		FLAT WASHER M8	7 PCS
6		SPRING WASHER M8	7 PCS
7		BED SLAT SIDE FITTER	26 PCS
8		BED SLAT CENTER FITTER	13 PCS
9		ALLEN KEY (BALL SHAPE) M4	1 PC
10		ALLEN KEY (BALL SHAPE) M5	1 PC

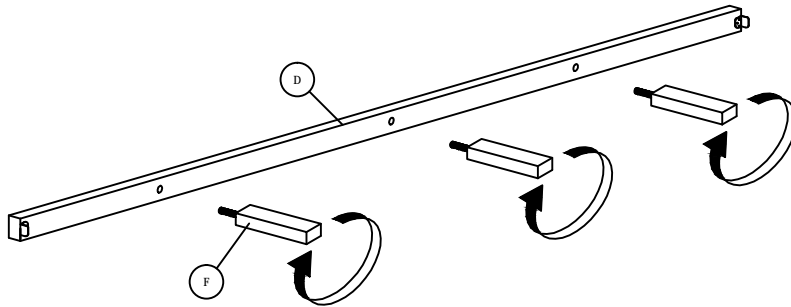
Component:

A.	HEADBOARD	x 1
B.	FOOTBOARD	x 1
C.	SIDE RAIL (L&R)	x 2
D.	CENTER RAIL	x 1
E.	CENTER RAIL SUPPORT	x 2
F.	CENTER SUPPORT LEG	x 3
G.	BED SLAT	x 26
H.	LEG	x 4
I.	FOOTBOARD SUPPORT WOOD	x 1
J.	HEADBOARD SUPPORT WOOD	x 2

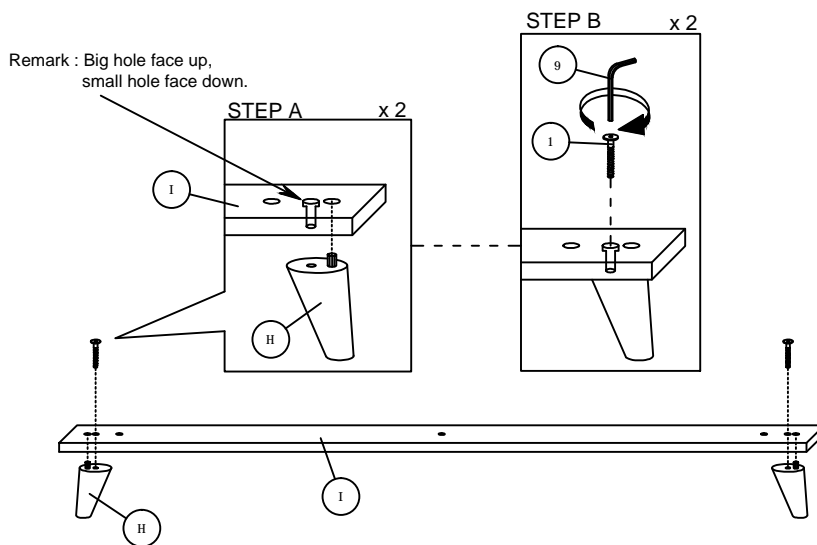
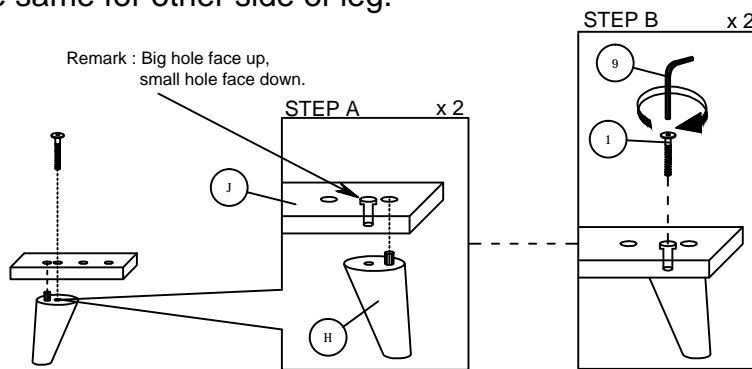


STEP 1

1.1 Fasten center support leg (D) to center rail (F) attach by screwing the protruding nut into the corresponding holes.



1.2 Insert and secure the leg (H) to the HB & FB support wood (I) & (J) using hardware parts 1 and 9. Repeat the same for other side of leg.

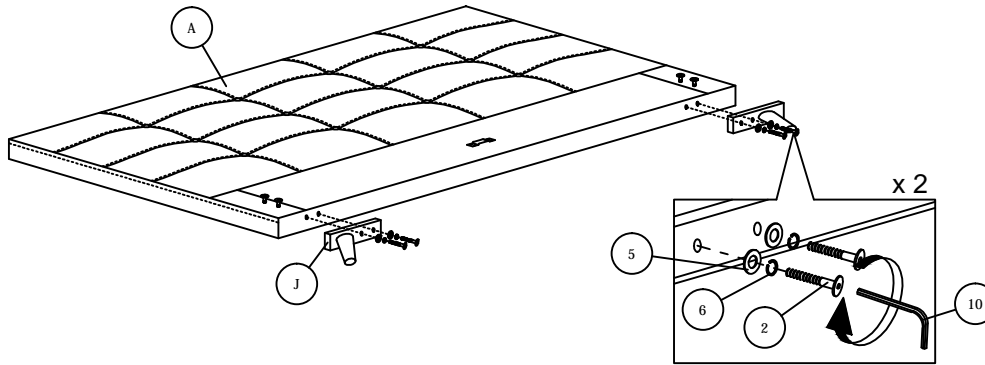


1. JCBC BOLT M6 x 40 x 4pcs	9. ALLEN KEY (BALL SHAPE) M4 x 1pc

MOD - 6005 / 6006 QUEEN BED

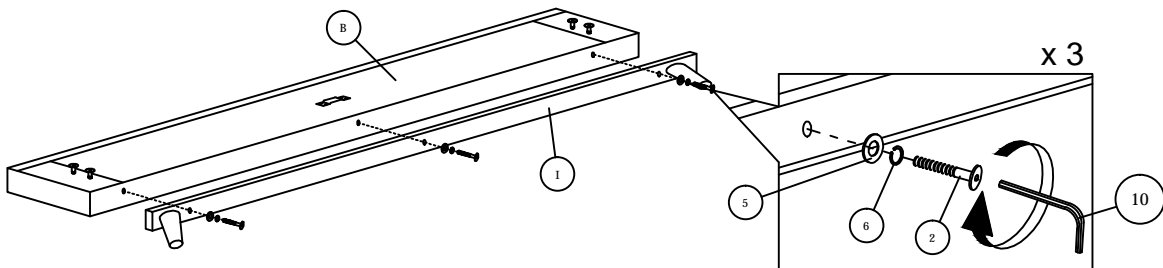
STEP 2

2.1 Insert and secure the Headboard support wood (J) to the headboard (A) using hardware parts 2,5,6 and 10.



2. JCBB BOLT M8 x 40 x 4pcs	6. SPRING WASHER M8 x 4pcs	5. FLAT WASHER M8 x 4pcs	10. ALLEN KEY (BALL SHAPE) M5 x 1pc

2.2 Insert and secure the FootBoard support wood (I) to the footboard (B) using hardware parts 2,5,6 and 10.



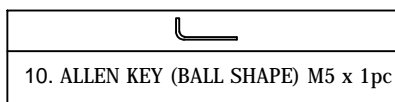
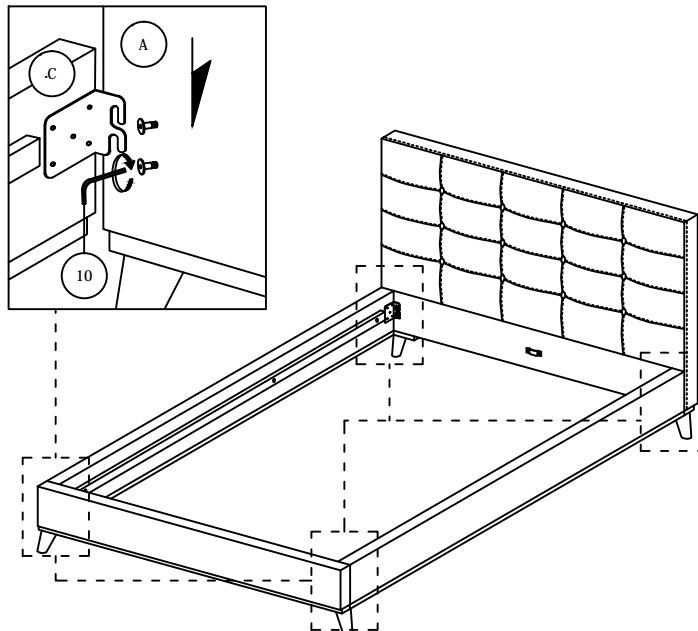
2. JCBB BOLT M8 x 40 x 3pcs	6. SPRING WASHER M8 x 3pcs	5. FLAT WASHER M8 x 3pcs	10. ALLEN KEY (BALL SHAPE) M5 x 1pc

MOD - 6005 / 6006 QUEEN BED



STEP 3

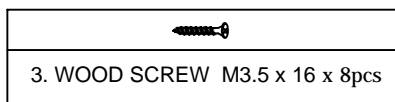
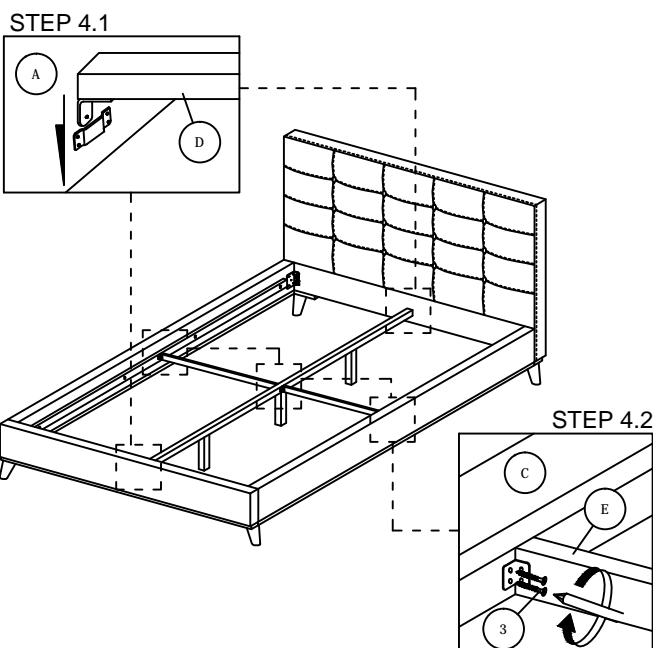
3.1 Loosen the pre-inserted bolt on the headboard and footboard using Allen key ball shape (10). Attach the side rails (C) to the headboard (A) & footboard (B)



STEP 4

4.1 Locate center rail (D) into the corresponding brackets inside of headboard (A) and footboard (B).

4.2 Insert and secure the center rail support (E) to the side rail (L/R) (C) using hardware parts 3 & screwdriver.



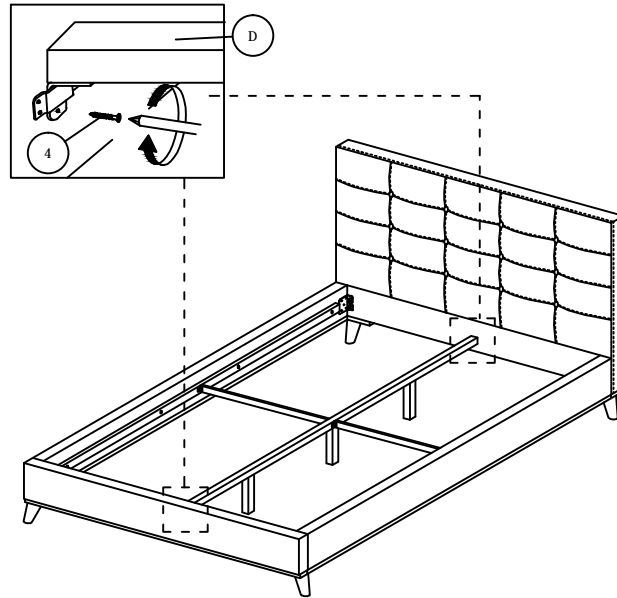
Screw Driver


MOD - 6005 / 6006 QUEEN BED



STEP 5

5.1 Screw center rail (D) bracket holes wood screw M4 x 20mm (4).

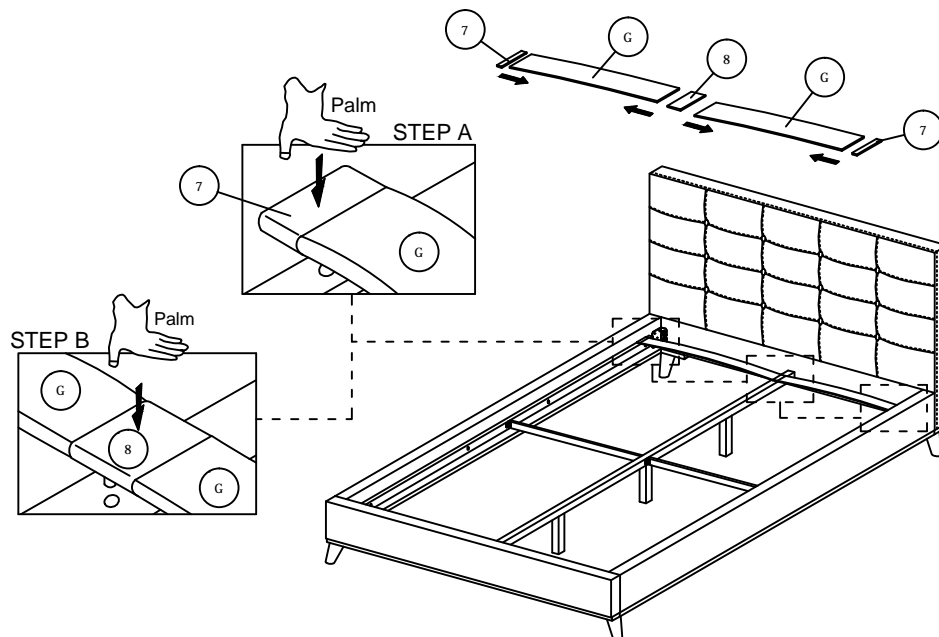





4. WOOD SCREW M4 x 20 x 2pcs

Screw Driver

STEP 6

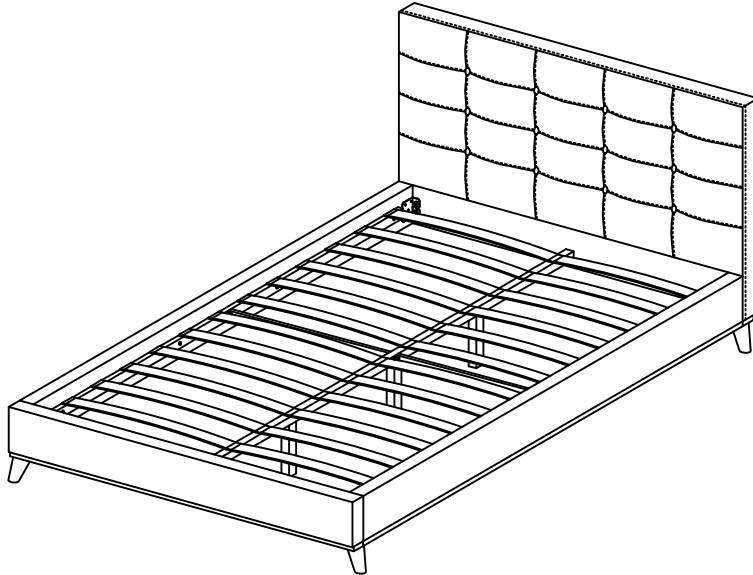
6.1 Insert the slats (G) into the end slat cap (7)&(8) and fix it to the corresponding holes on the side rail (C)



	
7. BED SLAT SIDE FITTER x 26pcs	8. BED SLAT CENTER FITTER x 13pcs

STEP 7

7.1 Carefully position the assembled bed to the desired location by four adults.



Assembly is complete. The bed is ready to use now!

NOTE: Hardware may loosen over time. Periodically check that all connections are tight.