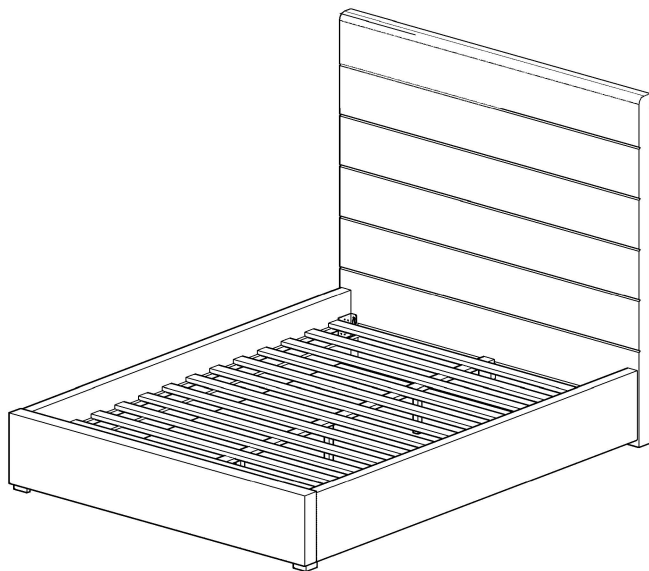


Thank you for purchasing the **MODWAY BED !**

Before you start, here are some helpful advice:

1. We suggest you spend a short time reading through this leaflet and then follow the simple step by step instructions.
2. Owing to the size and weight of the bed, we recommend that it is assembled by two adults, on a carpeted or padded area, in the room that it is intended for. Approximate assembly time: 20 minutes.
3. Please do not use any tools other than those provided or recommended in these instructions.
4. Please do not throw away any of the packaging or the instruction until you have checked all the components and hardware and the furniture is fully assembled.
5. Assemble all components loosely until advised to tighten. Depending on use, it may be necessary to tighten the components from time to time, so please save the tools that have been provided.
6. Please keep all small pieces out of reach of children.



Hardware:

A		JCBC BOLT M6 x 40	9 PCS
B		JCBB BOLT M8 x 35	8 PCS
C		WOOD SCREW M4 X 32mm	6 PCS
D		ADJUSTER	3 PCS
E		ALLEN KEY (BALL SHAPE) M4	1 PC
F		ALLEN KEY M5	1 PC
G		FLAT WASHER	8 PCS
H		JCBC BOLT M6 X 70	4 PCS
I		SPRING WASHER	8 PCS

Compenents :

1 -	HEADBOARD	x 1
2 -	FOOTBOARD	x 1
3 -	SIDERAIL	x 2
4 -	CENTER SUPPORT	x 1
5 -	SUPPORT LEG	x 3
6 -	SUPPORT BAR	x 2
7 -	BED SLAT	x 13
8 -	WOODEN BED LEG	x 2

