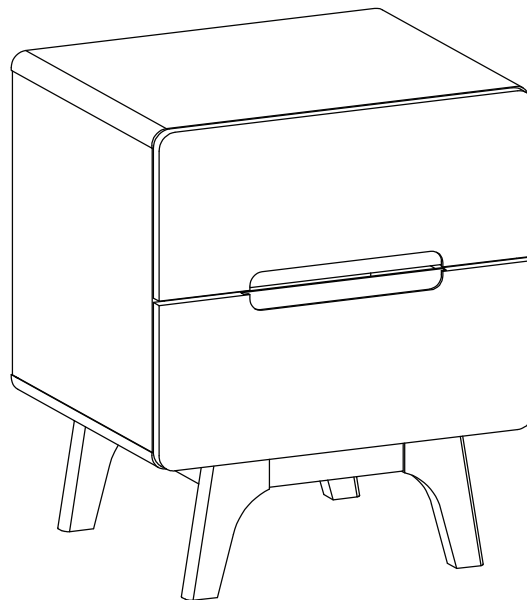


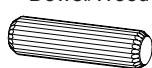

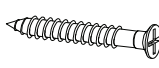
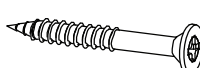



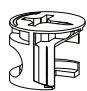


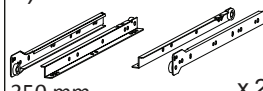
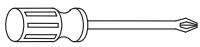
Thank you for purchasing the **MODWAY Chest Drawer!**

Before you start, here is some helpful advice:

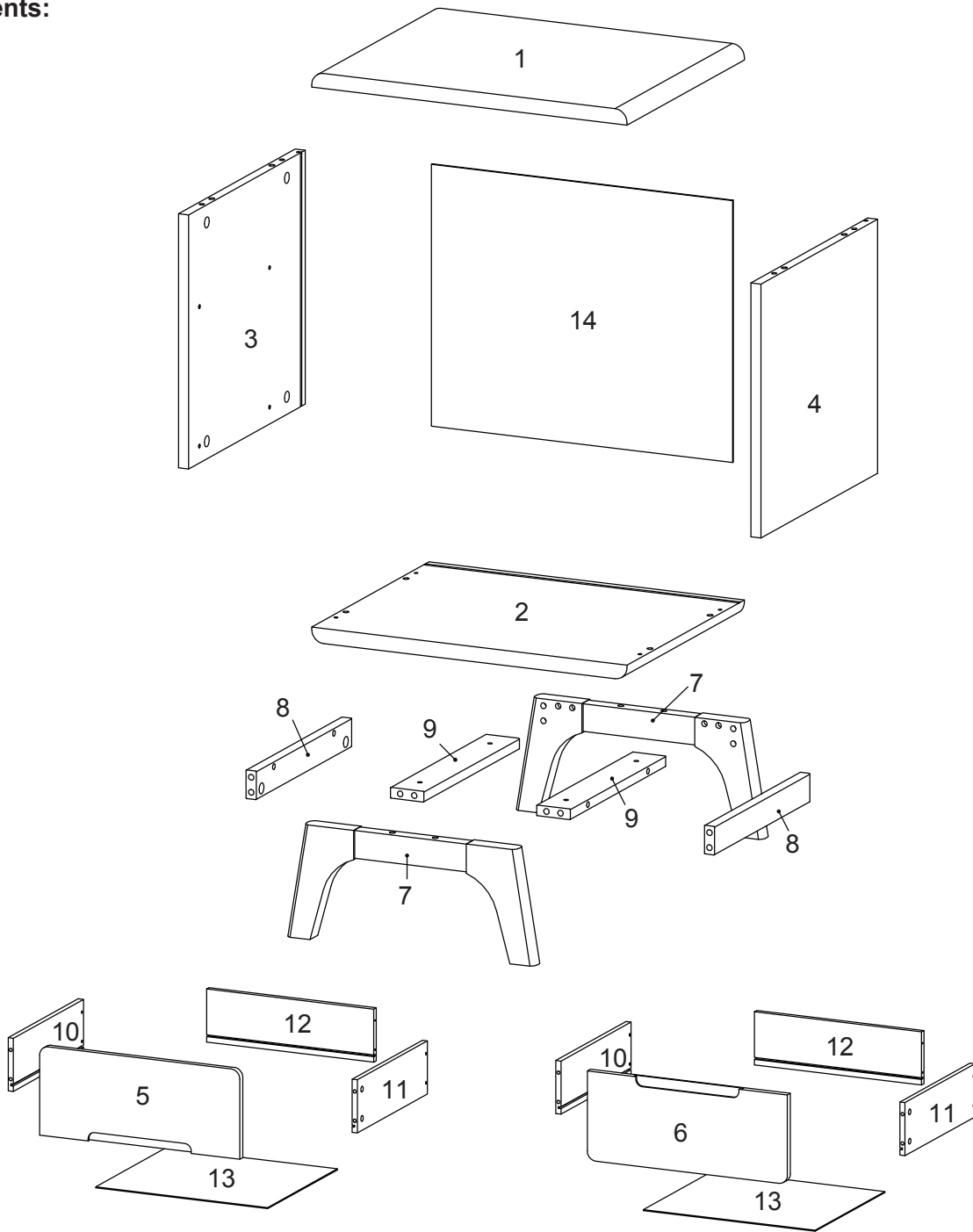
1. We suggest you spend a short time reading through this leaflet and then follow the simple step-by-step instructions.
2. Owing to the size and weight of the desk, we recommend that it is assembled by two adults, on a carpeted or padded area, in the room that it is intended for. Approximate assembly time: 60 minutes.
3. Please do not use any tools other than those provided or recommended in these instructions.
4. Please do not throw away any of the packaging or instructions until you have checked all the components and hardware and the furniture is fully assembled.
5. Assemble all components loosely until advised to tighten. Depending on use, it may be necessary to tighten the components from time to time, so please save the tools that have been provided.
6. Please keep all pieces out of reach of children.



Hardware :

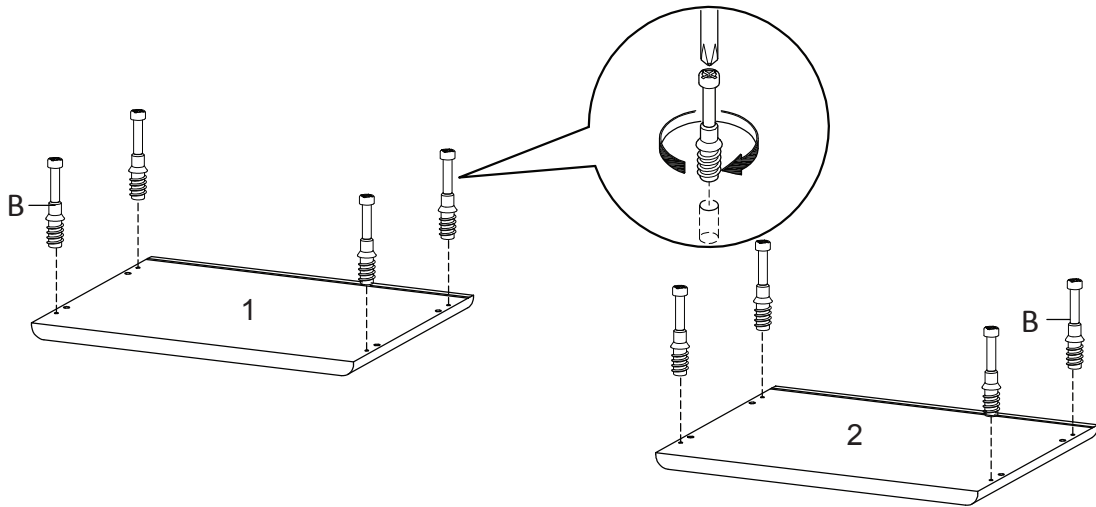
<p>A) Dowel/Wood  \varnothing 8 x 30 mm x28</p>	<p>B) Cambolt/Metal  \varnothing 6 x 35 mm x20</p>	<p>C) Screw/Metal  M 8 x 39 mm x 8</p>	<p>D) Screw/Metal  M 12 x 35 mm x 4</p>	<p>E) Screw/Metal  M 3.5 x 15.5 mm x 4</p>
<p>F) Screw/Metal  M 3.5 x 13 mm x 12</p>	<p>G) Screw/Metal  M 6.5 x 10.5 mm x 8</p>	<p>H) CamLock Big/Metal  \varnothing 15 mm x 12</p>	<p>I) CamLock Small/Metal  \varnothing 12 mm x 8</p>	<p>J) Wedge/Plastic  9 x 14 x 10 mm x 4</p>
<p>K) Rail/Metal  350 mm x 2</p>	<p>L) Screwdriver (Not Include)  x 1</p>			

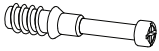
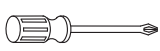
Components:



1	Top Board	x1	2	Bottom Board	x1	3	Side Board Left	x1	4	Side Board Right	x1
5	Front Drawer Upper	x1	6	Front Drawer Bottom	x1	7	Leg	x2	8	Support Board 1	x2
9	Support Board 2	x2	10	Side Drawer Left	x2	11	Side Drawer Right	x2	12	Back Drawer	x2
13	Bottom Drawer	x2	14	Back Board	x1						

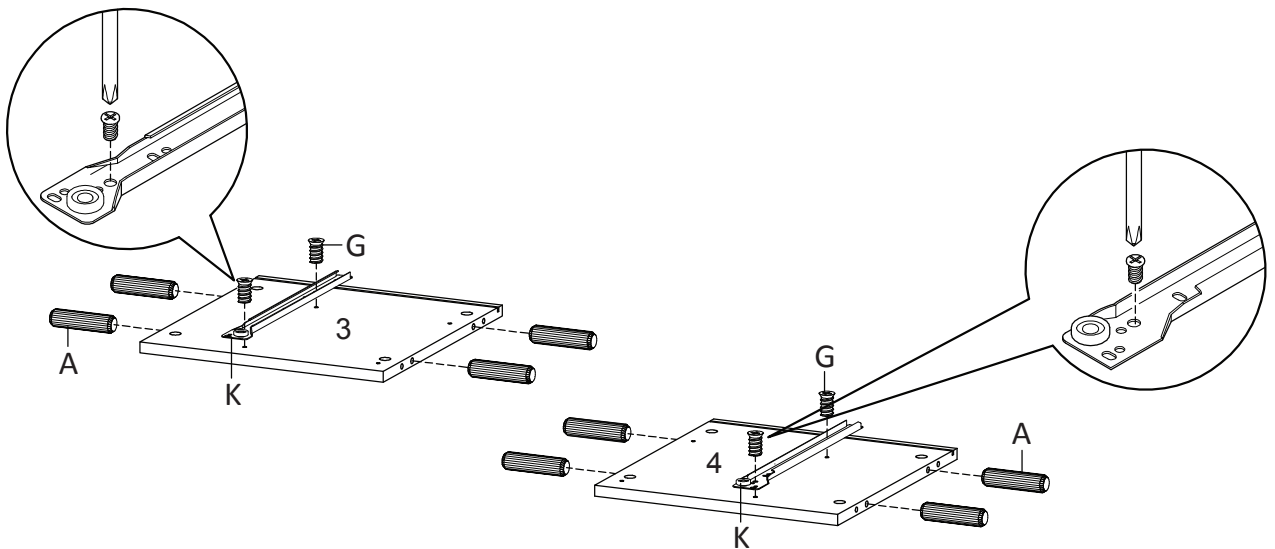
STEP 1:




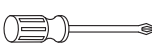


	
Bx8	Lx1

Hardware required. Screwdriver not included

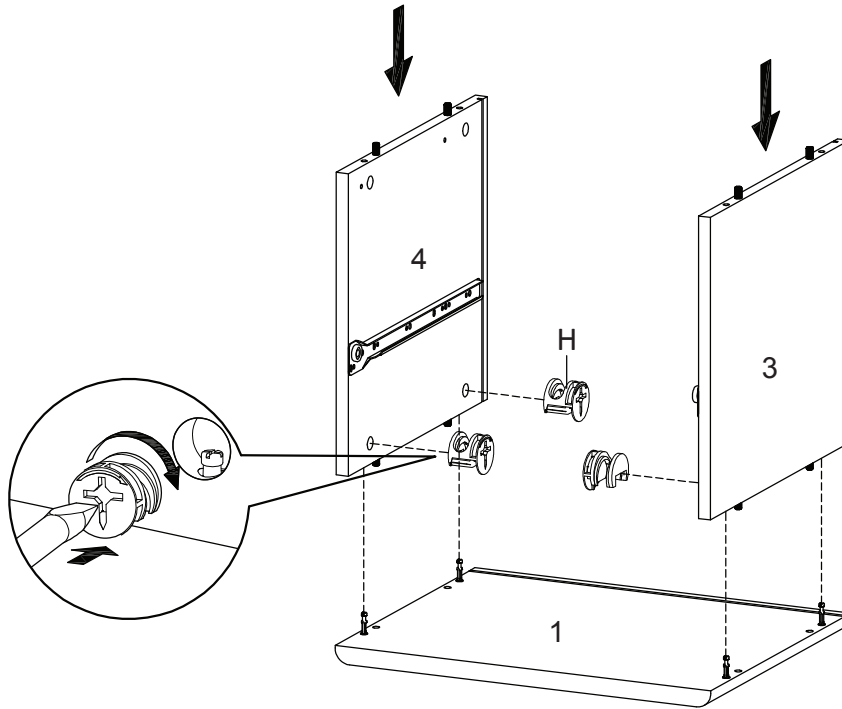
STEP 2:





			
Ax8	Kx1	Gx4	Lx1

Hardware required.
Screwdriver not included

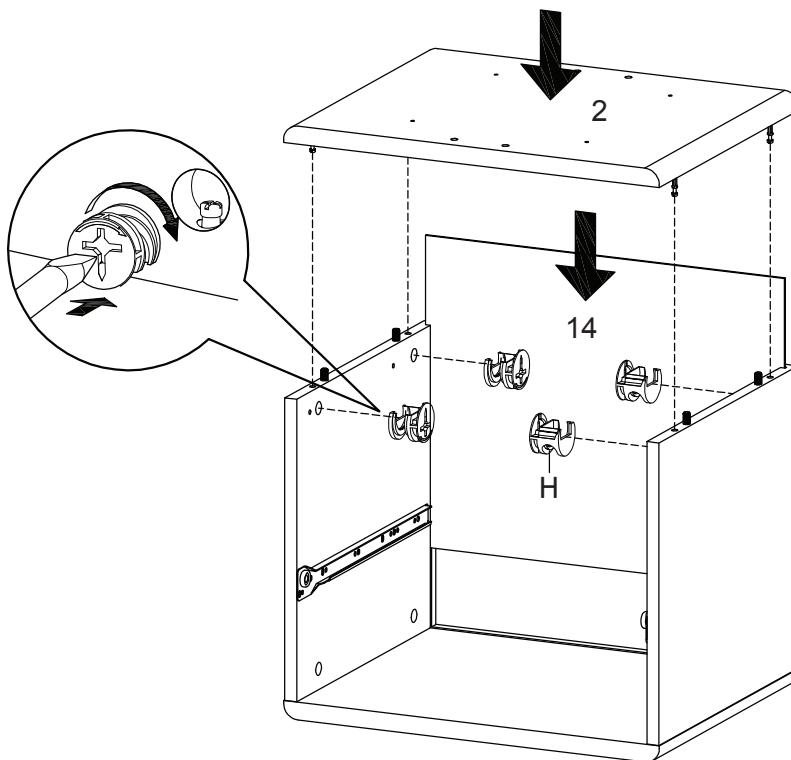
STEP 3:





	
Hx4	Lx1

Hardware required. Screwdriver not included

STEP 4:

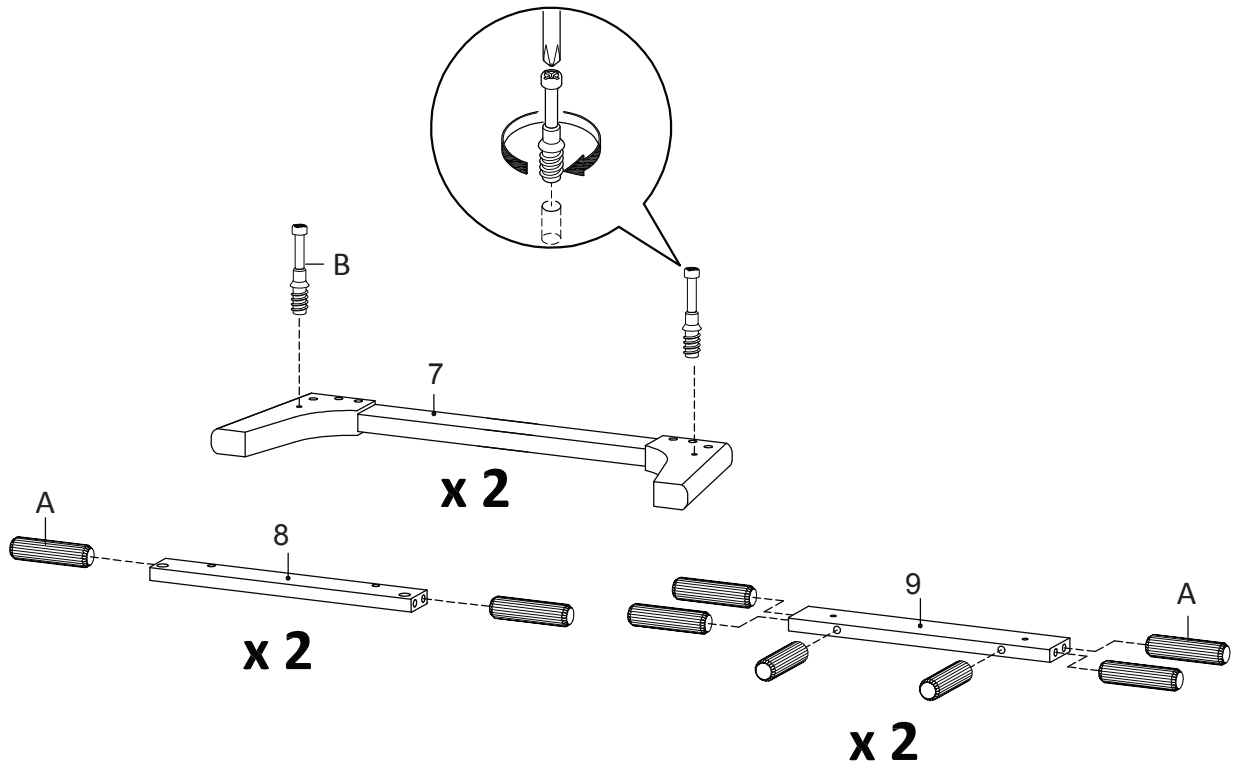


Attention: Insert part 14 (Back Board) first and then part 2 (Bottom Board)

	
Hx4	Lx1

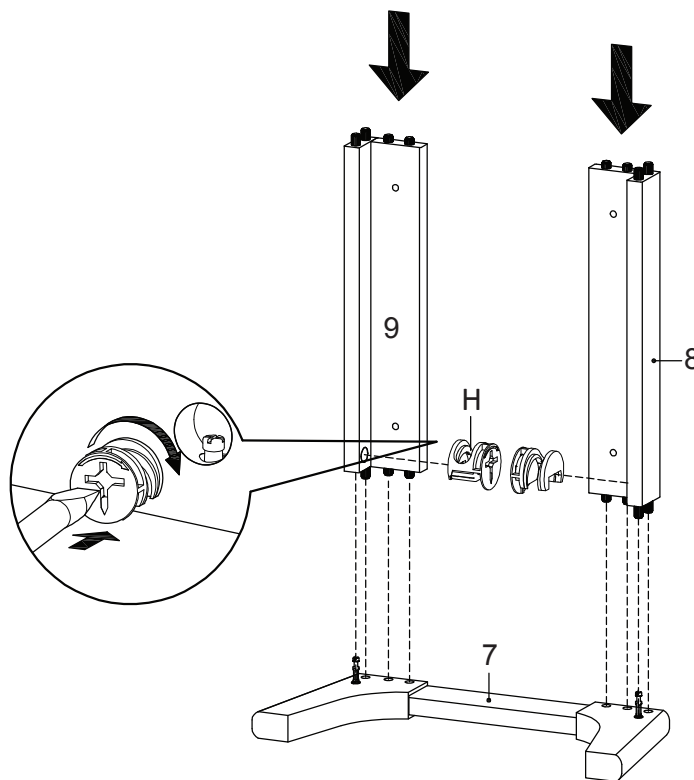
Hardware required. Screwdriver not included

STEP 5:



Ax16	Bx4

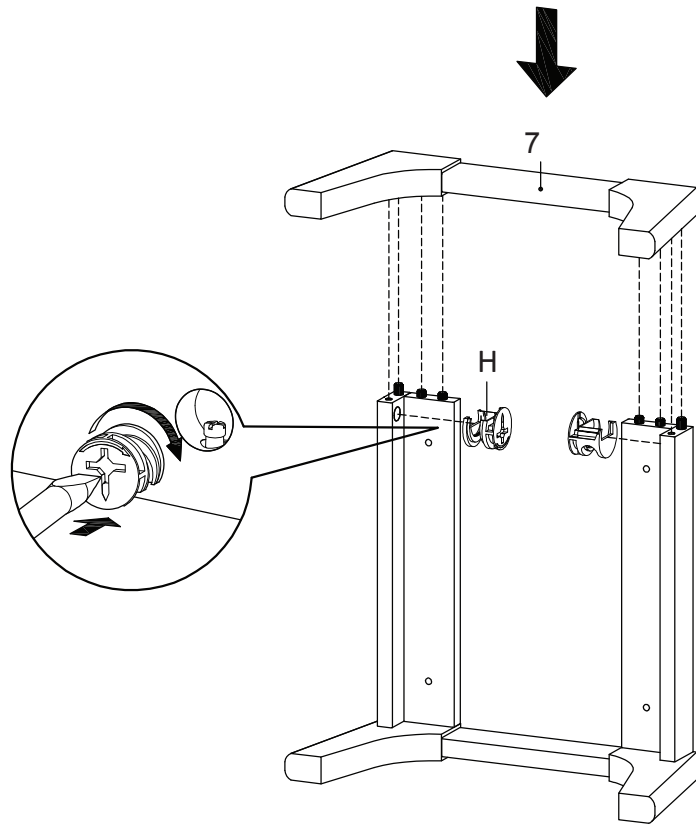
STEP 6:





Hx2	Lx1

Hardware required. Screwdriver not included

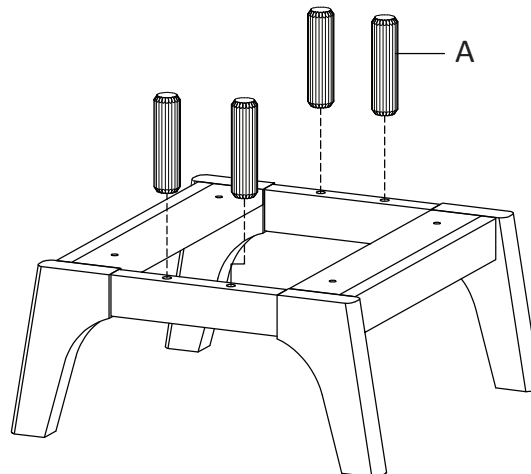
STEP 7:




	
Hx2	Lx1

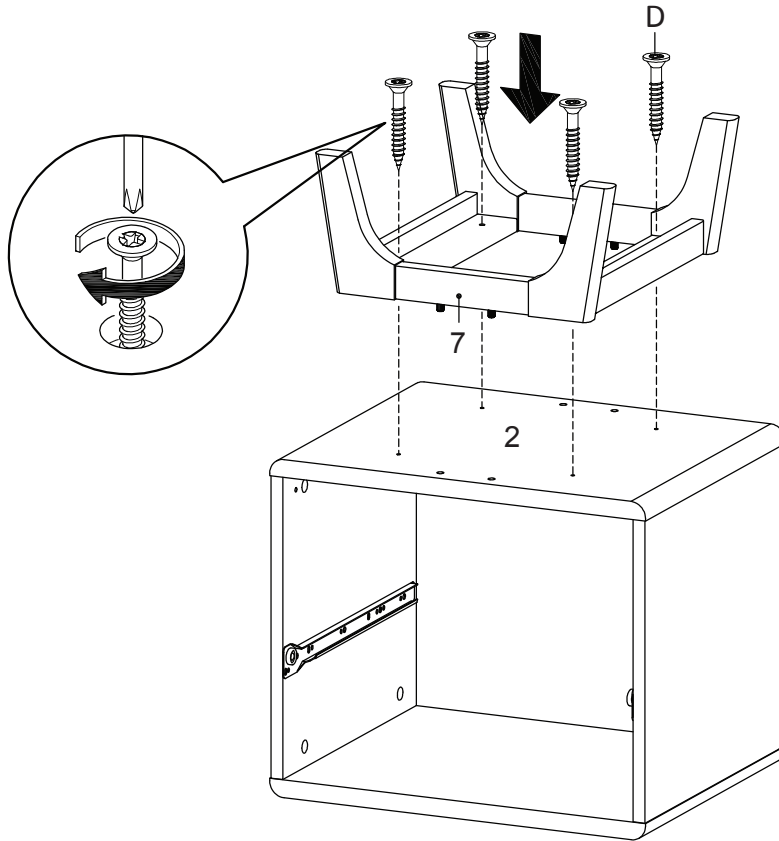
Hardware required. Screwdriver not included

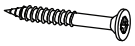

STEP 8:




Ax4

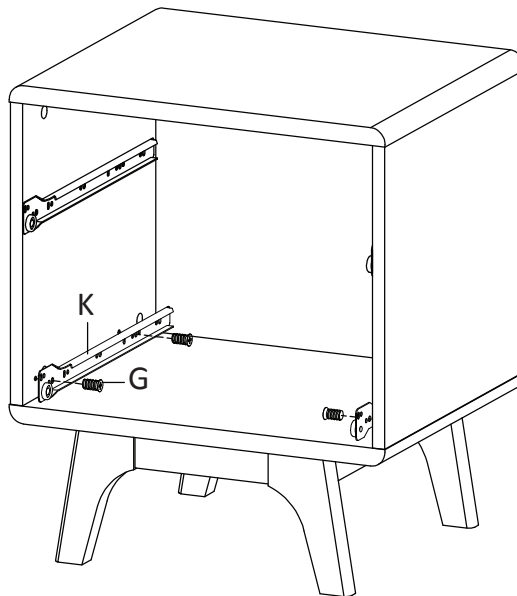
STEP 9:

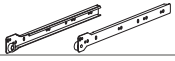




	
Dx4	Lx1

Hardware required. Screwdriver not included

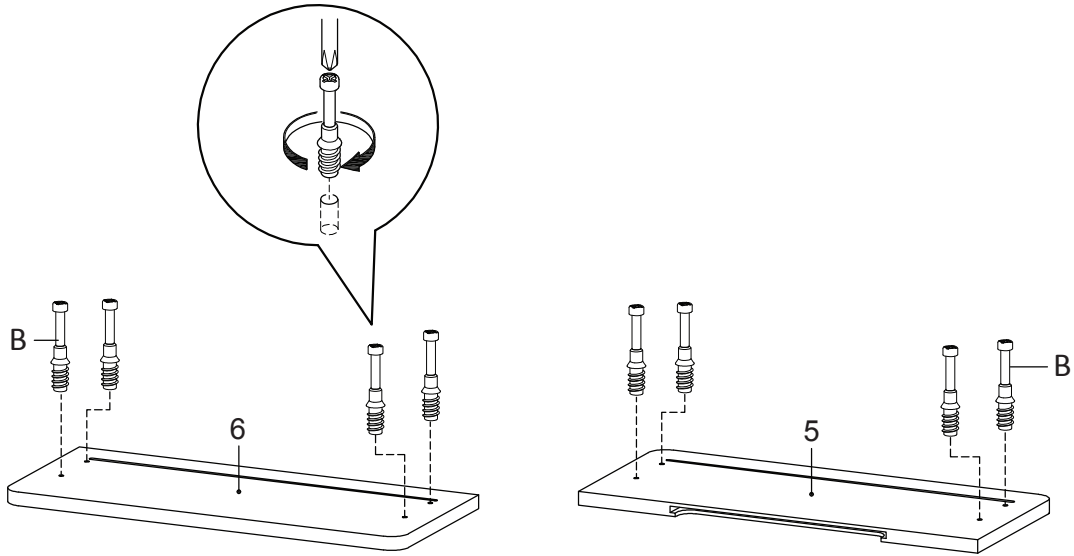
STEP 10:

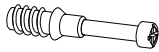
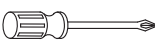


		
Kx1	Gx4	Lx1

Hardware required.
Screwdriver not included

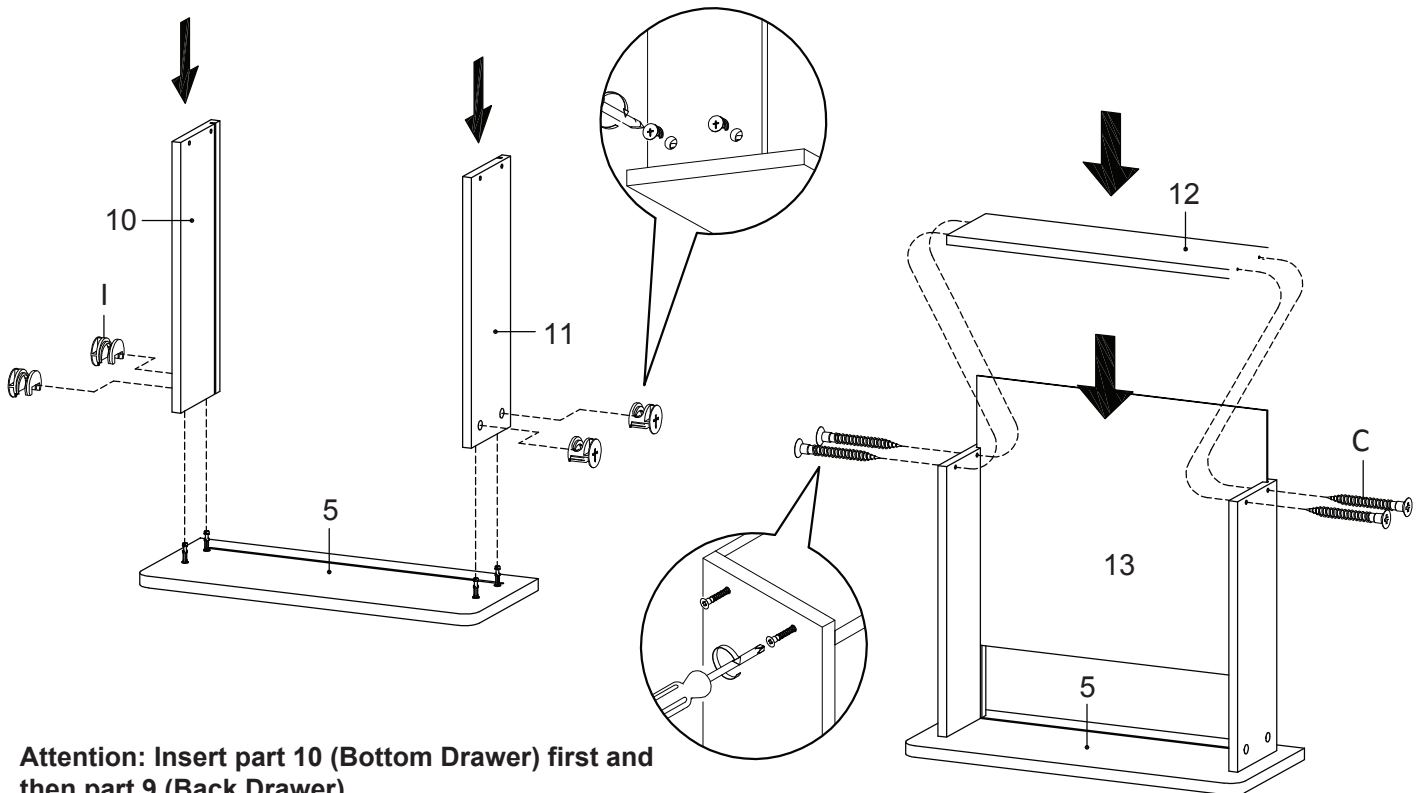
STEP 11:






	
Bx8	Lx1

Hardware required. Screwdriver not included

STEP 12:

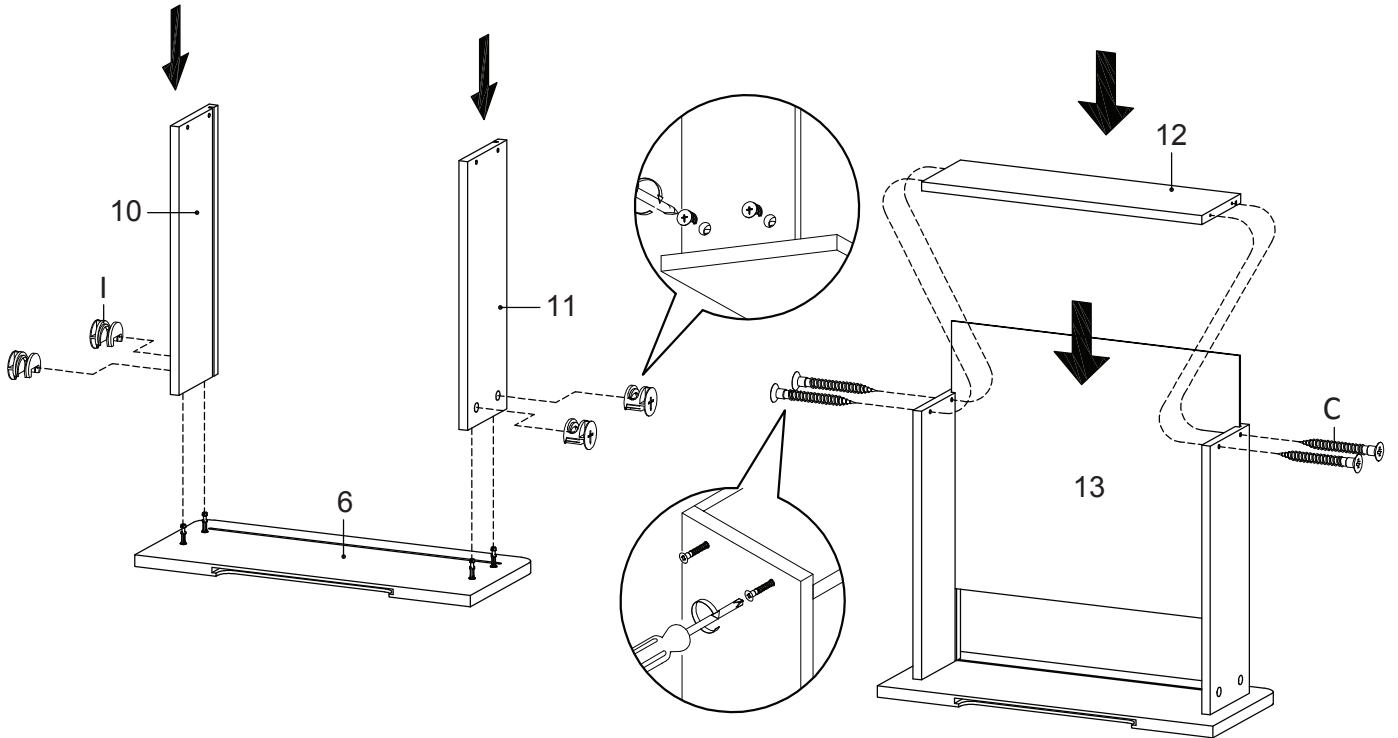


Attention: Insert part 10 (Bottom Drawer) first and then part 9 (Back Drawer)


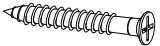
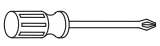
		
Ix4	Cx4	Lx1

Hardware required. Screwdriver not included

STEP 13:

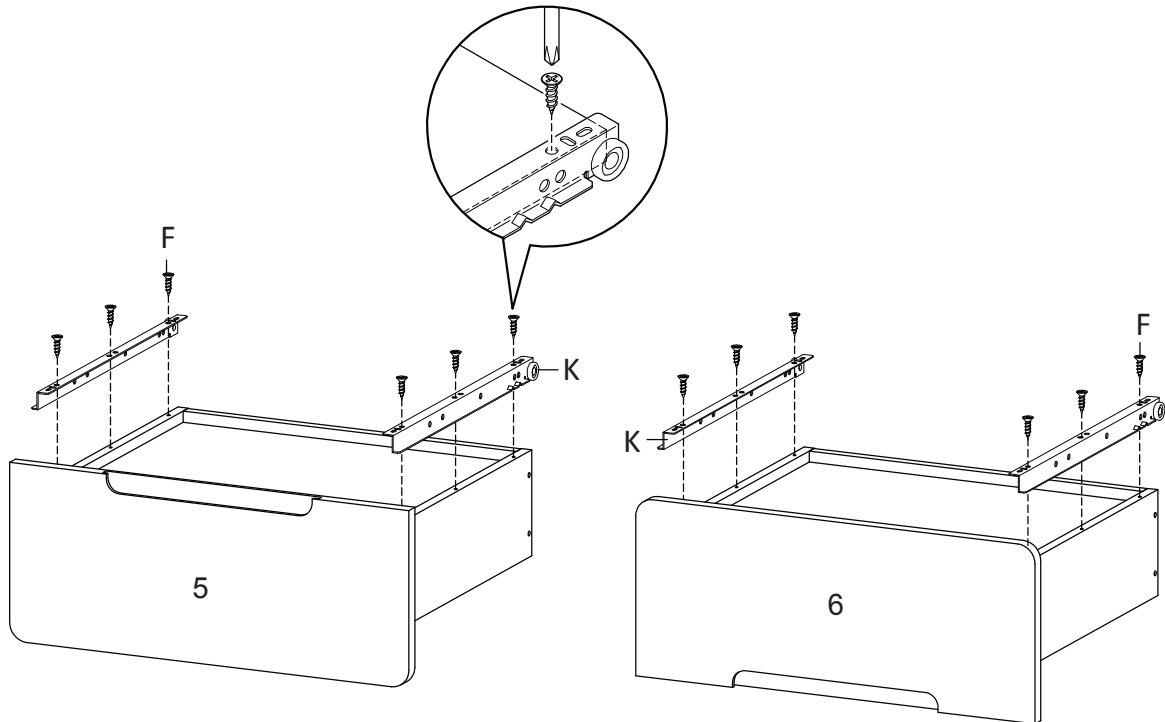


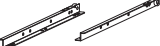


Attention: Insert part 10 (Bottom Drawer) first and then part 9 (Back Drawer)

		
Ix4	Cx4	Lx1

Hardware required. Screwdriver not included

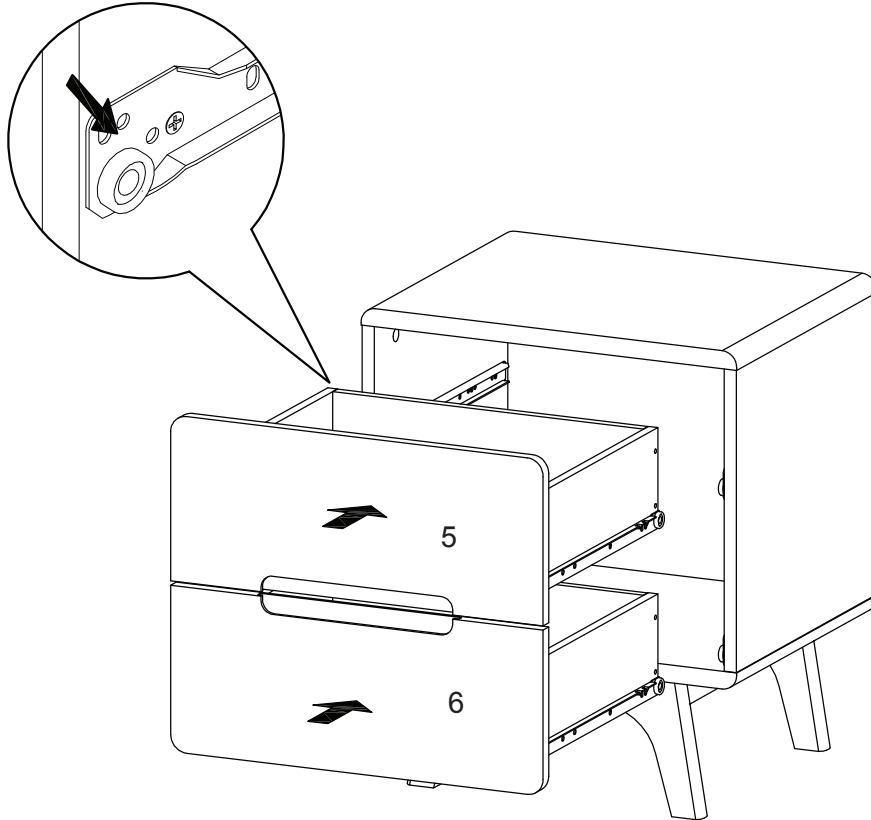
STEP 14:



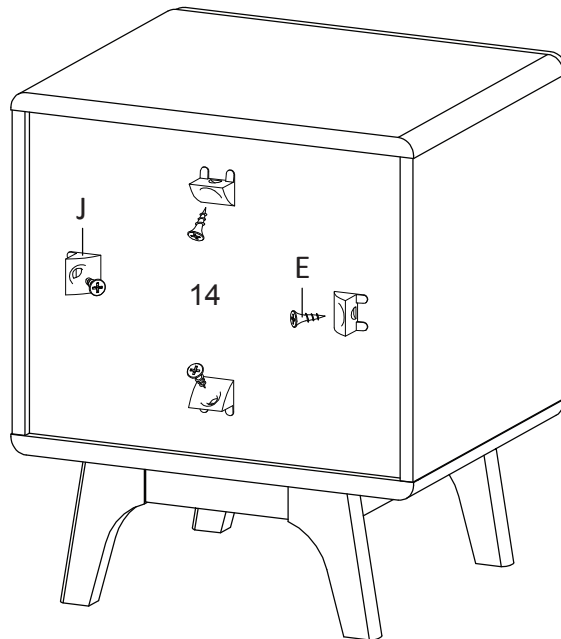
		
Fx1	Kx12	Lx1




Hardware required. Screwdriver not included

STEP 15:



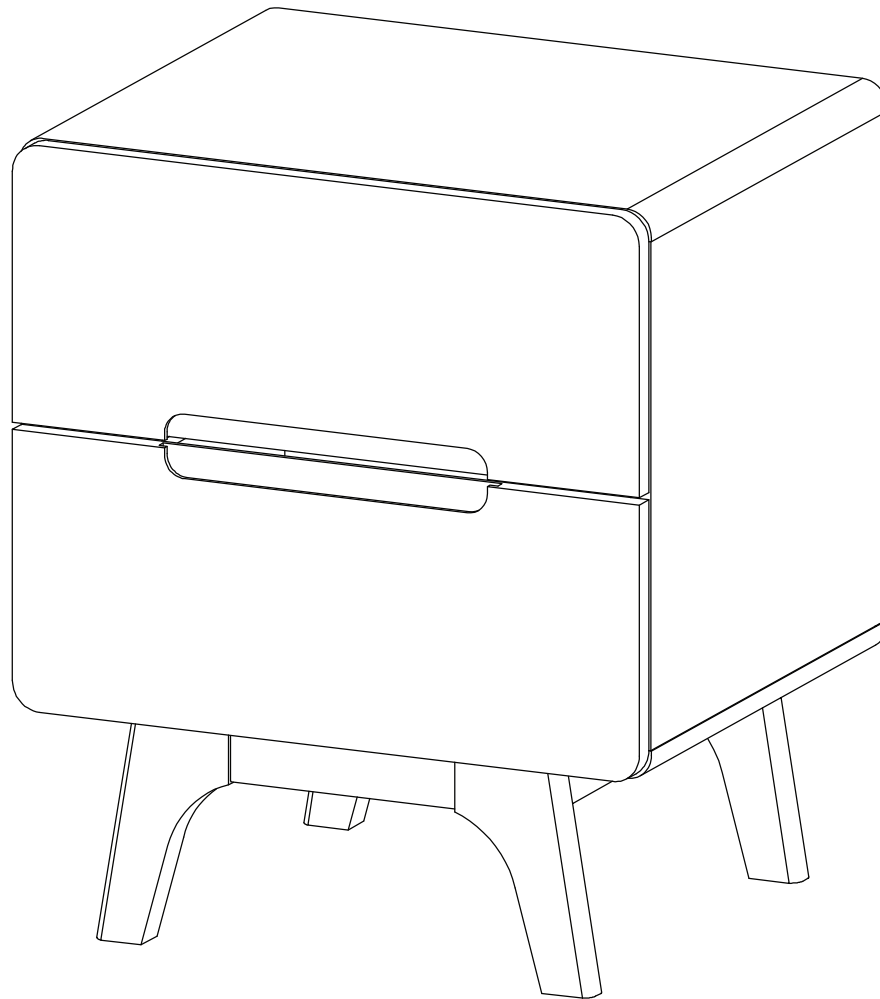
STEP 16:



		
Jx4	Ex4	Lx1

Hardware required. Screwdriver not included

STEP 17:



Assembly is completed. The CH2 is ready to enjoy now !