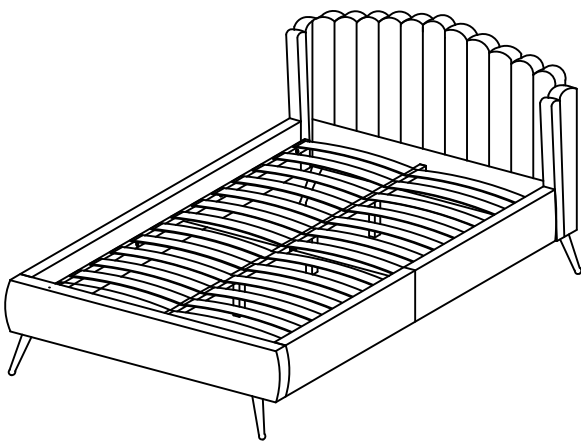


Thank you for purchasing the **MODWAY BED!**

Before you start, here are some helpful advice:

1. We suggest you spend a short time reading through this leaflet and then follow the simple step instructions.
2. Owing to the size and weight of the bed, we recommend that it is assembled by two adults, on a carpeted or padded area, in the room that it is intended for. Approximate assembly time: 35 minutes.
3. Please do not use any tools other than those provided or recommended in these instructions.
4. Please do not throw away any of the packaging or the instruction until you have checked all the components and hardware and the furniture is fully assembled. Please ensure that the packaging is disposed of in a safe environmentally friendly way.
5. Assemble all components loosely until advised to tighten. Depending on use, it may be necessary to tighten the components from time to time, so please save tools that have been provided.
6. Please keep all fitting out of reach of children.

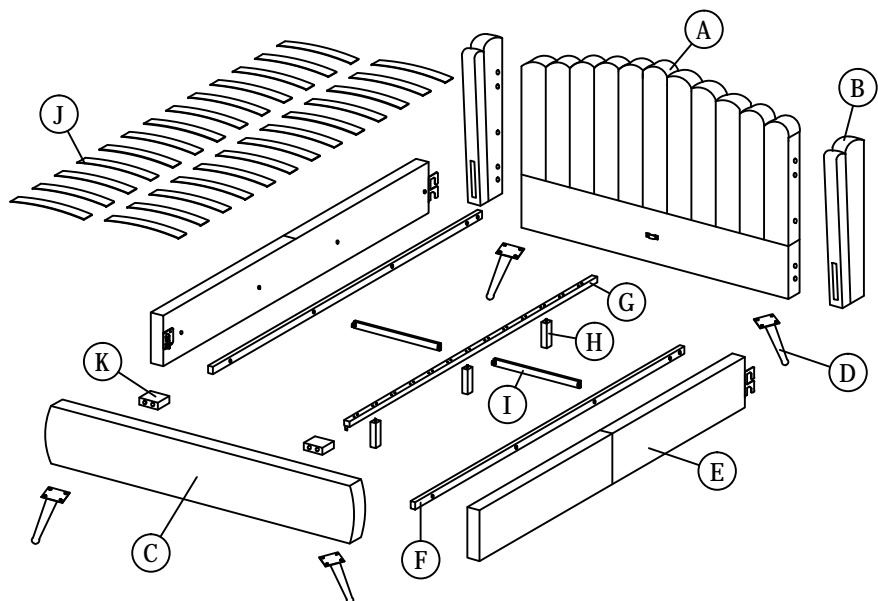


Hardware:

1		JCBC BOLT M6 x 40mm	16 PCS
2		JCBC BOLT M6 x 60mm	4 PCS
3		M6 FLAT WASHER	6 PCS
4		WOOD SCREW M3.5 x 16mm	8 PCS
5		WOOD SCREW M4 x 20mm	2 PCS
6		WOOD DOWEL M8 x 30mm	4 PCS
7		6 HOLE METAL BRACKET	2 PCS
8		WOOD SCREW M4 x 25mm	12 PCS
9		WOOD SCREW M4 x 32mm	16 PCS
10		BED SLAT SIDE FITTER	26 PCS
11		BED SLAT CENTER FITTER	13 PCS
12		M4 ALLEN KEY (BALL SHAPE)	1 PC
13		M5 ALLEN KEY (BALL SHAPE)	1 PC

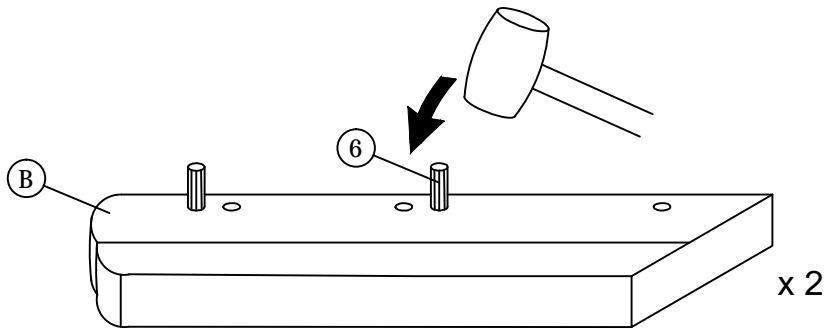
Component:

A.	HEADBOARD	x 1
B.	HEADBOARD WING	x 2
C.	FOOTBOARD	x 1
D.	BED LEG	x 4
E.	SIDE RAIL	x 2
F.	SIDE RAIL SUPPORT WOOD	x 2
G.	CENTER RAIL	x 1
H.	CENTER SUPPORT LEG	x 3
I.	CENTER SUPPORT	x 2
J.	BED SLAT	x 26
K.	FOOTBOARD LEG SUPPORT WOOD	x 2



STEP 1

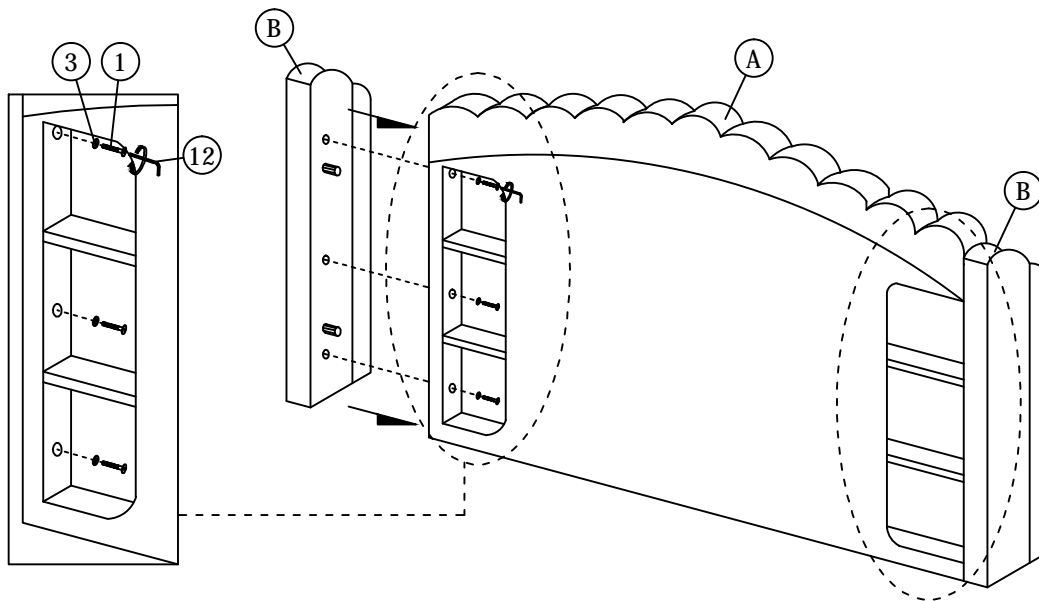
1.1 Attach the hardware parts WOOD DOWEL (6) to the Headboard Wing (B).



6. WOOD DOWEL M8 x 30mm x 4pcs	Rubber Mallet

STEP 2

2.1 Attach the **Headboard Wing (B)** to the **Headboard (A)** using hardware parts **BOLT (1)** , **FLAT WASHER (3)** & **ALLEN KEY (12)**.

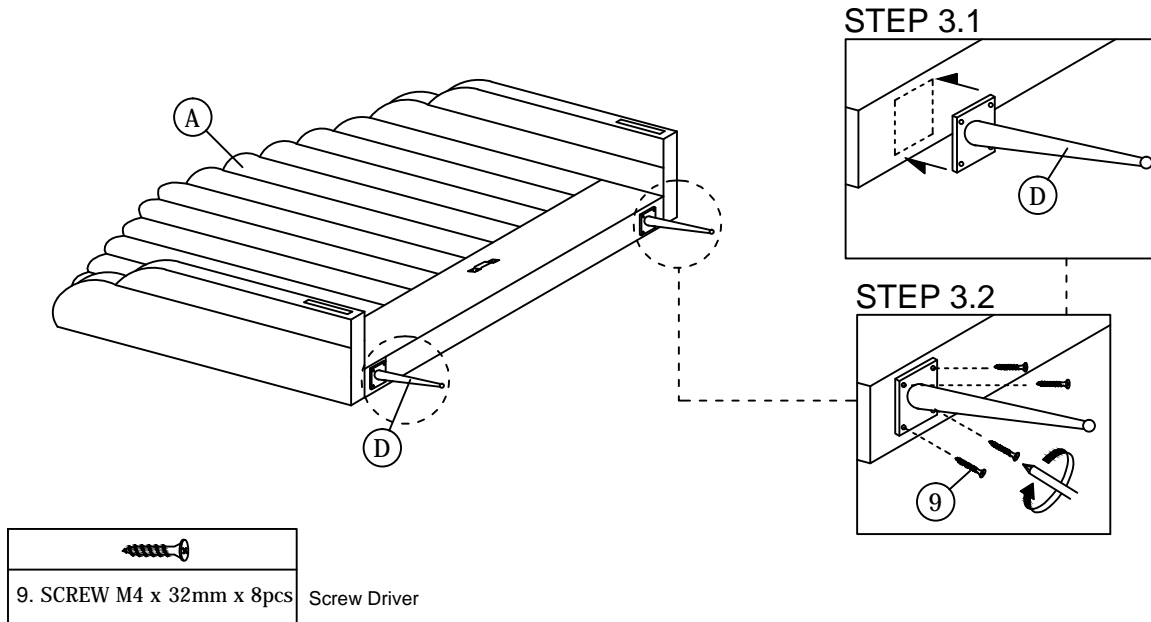


1. JCBC BOLT M6 x 40mm x 6pcs	3. M6 FLAT WASHER x 6pcs	12. ALLEN KEY (BALL SHAPE) M4

STEP 3

3.1 Follow marking line assemble leg.

3.2 Secure the **Bed Leg (D)** to the **Headboard (A)** using hardware parts WOOD SCREW (9).



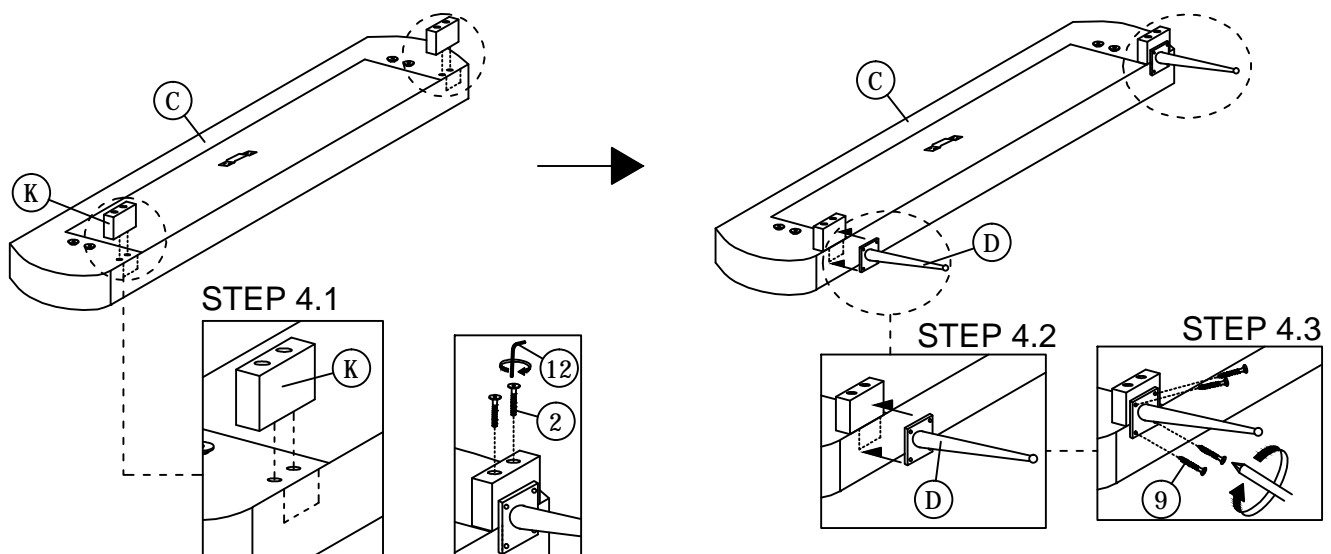
	9. SCREW M4 x 32mm x 8pcs	Screw Driver
--	---------------------------	--------------

STEP 4

4.1 Attach the **Leg Support Wood (K)** to the **Footboard (C)** using hardware parts **BOLT (2)** & **ALLEN KEY (12)**.

4.2 Follow marking line assemble leg.

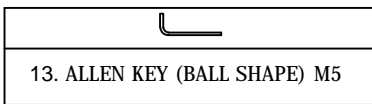
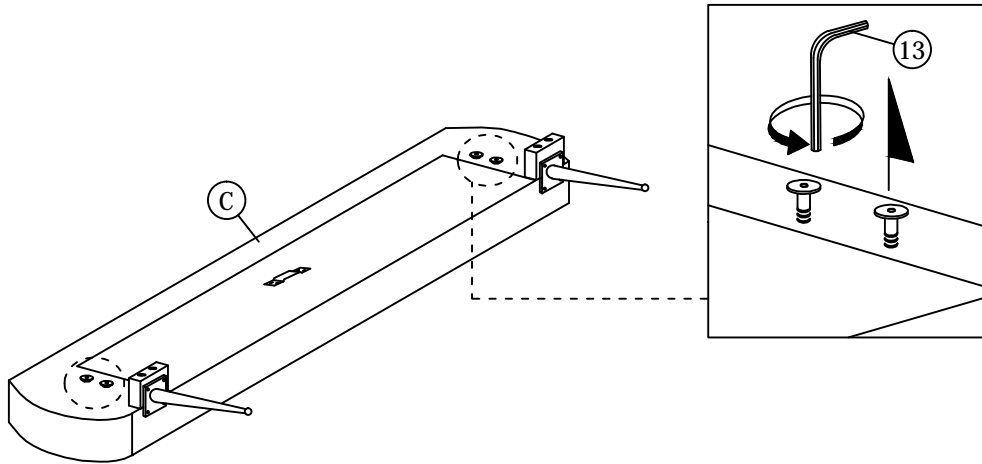
4.3 Secure the **Bed Leg (D)** to the **Footboard (C)** using hardware parts **WOOD SCREW (9)**.



			Screw Driver
2. JCBC BOLT M6 x 60mm x 4pcs	12. ALLEN KEY (BALL SHAPE) M4	9. SCREW M4 x 32mm x 8pcs	

STEP 5

5.1 Loosen the pre-inserted bolt on the **Footboard (C)** using hardware part **ALLEN KEY (13)**.

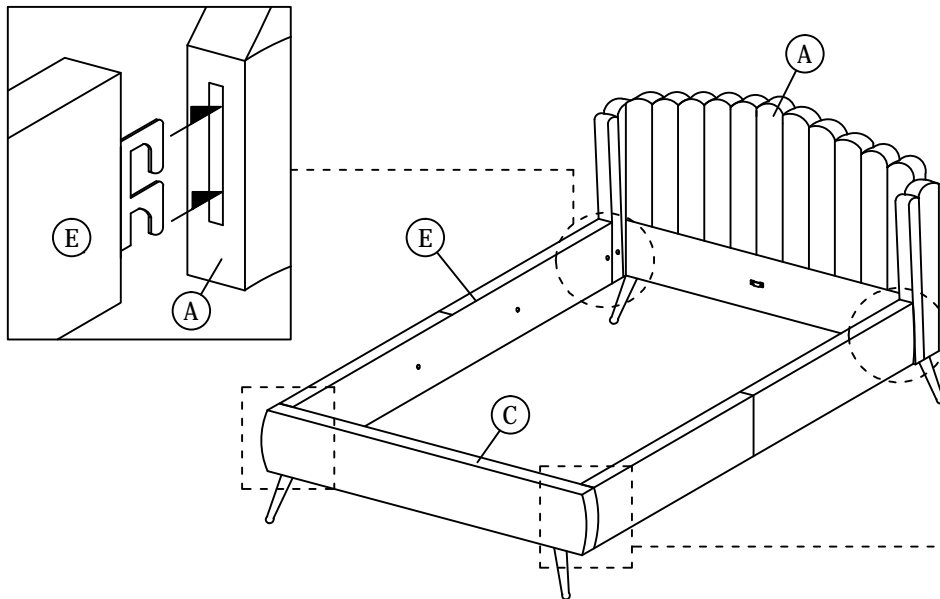


STEP 6

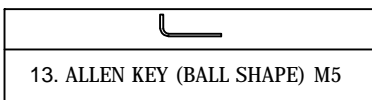
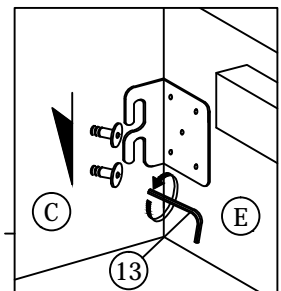
6.1 Attach the **Side Rails (E)** to the **Headboard (A)**.

6.2 Attach the **Side Rails (E)** to the **Footboard (C)** using hardware part **ALLEN KEY (13)**.

STEP 6.1

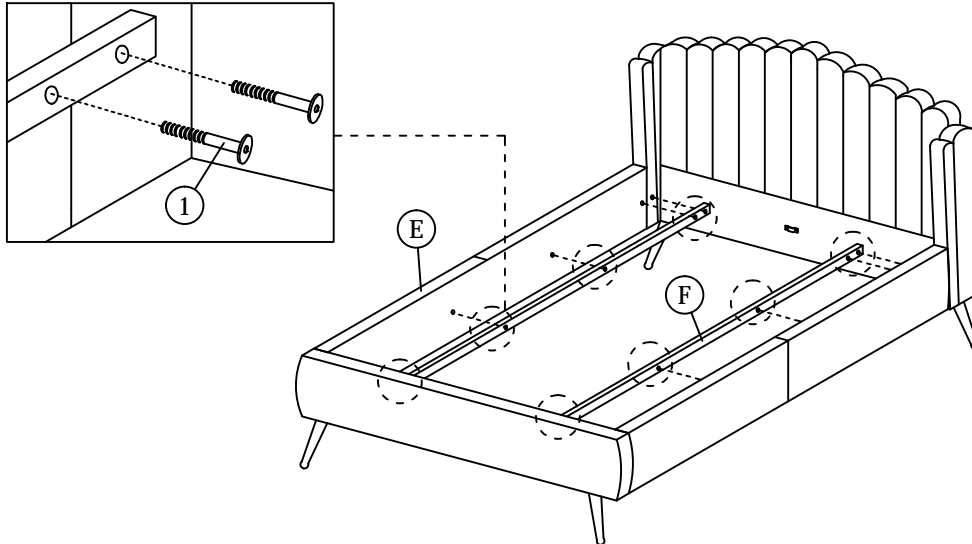


STEP 6.2



STEP 7

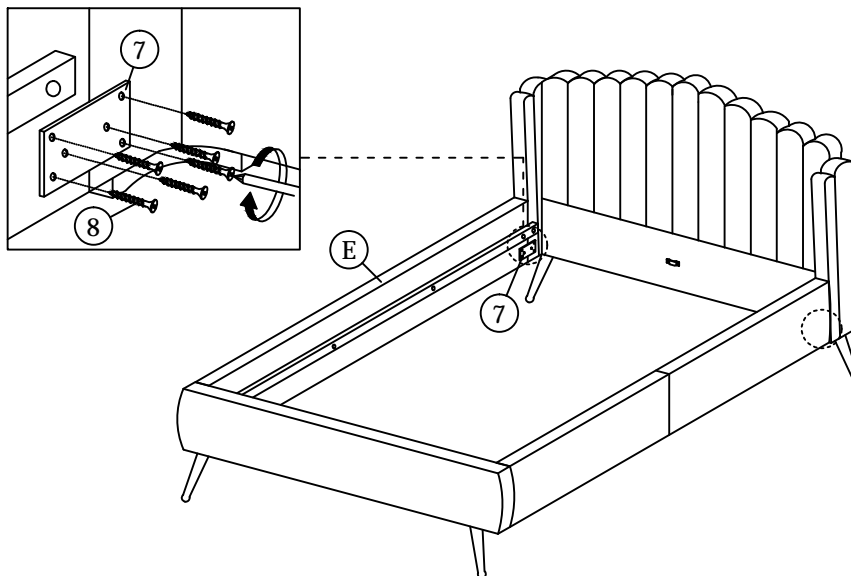
7.1 Attach the **Side Rails Support Wood (F)** to the **Side Rail (E)** using hardware parts **BOLT (1) & ALLEN KEY (12)**.



1. JCBC BOLT M6 x 40mm x 10pcs	12. ALLEN KEY (BALL SHAPE) M4

STEP 8

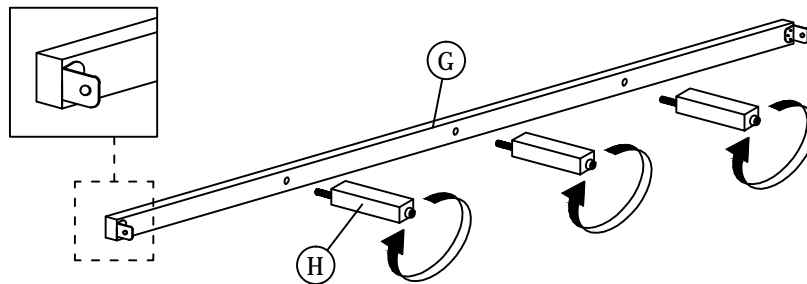
8.1 Attach the **6 HOLE METAL BRACKET (7)** to the **Side Rail (E)** using hardware parts **WOOD SCREW (8)**.



		Screw Driver
7. 6 HOLE METAL BRACKET x 2pcs	8. SCREW M4 x 25mm x 12pcs	

STEP 9

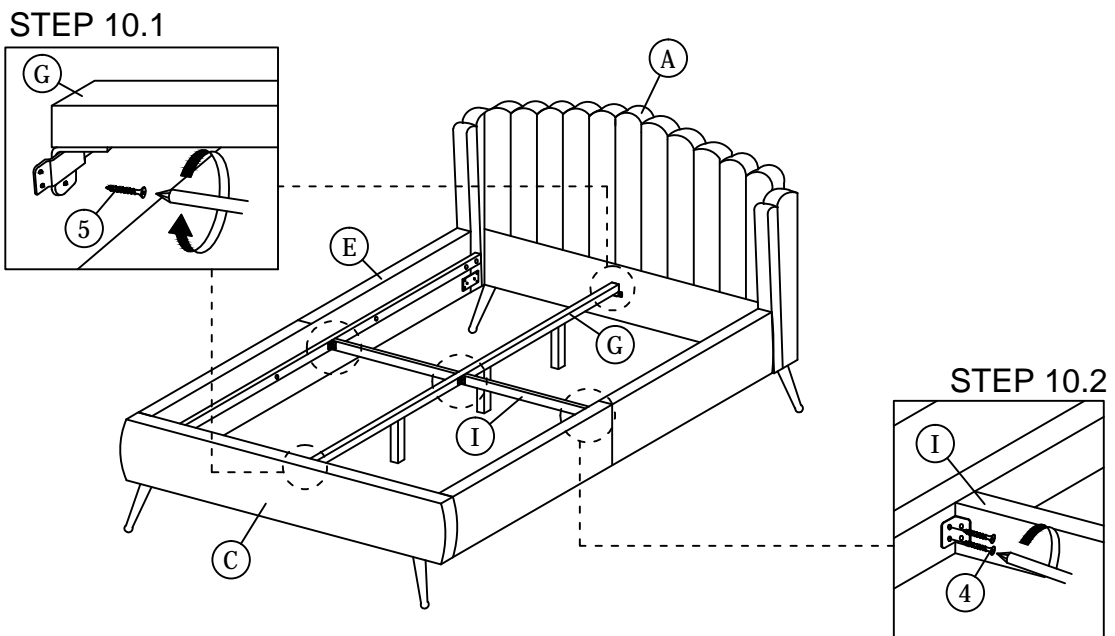
9.1 Fasten **Center Support Leg (H)** to **Center Rail (G)** attach by screwing the protruding nut into the corresponding holes.


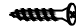


STEP 10

10.1 Locate **Center Rail (G)** into the corresponding brackets inside of **Headboard (A)** and **Footboard (C)** using hardware parts **WOOD SCREW (5)** .

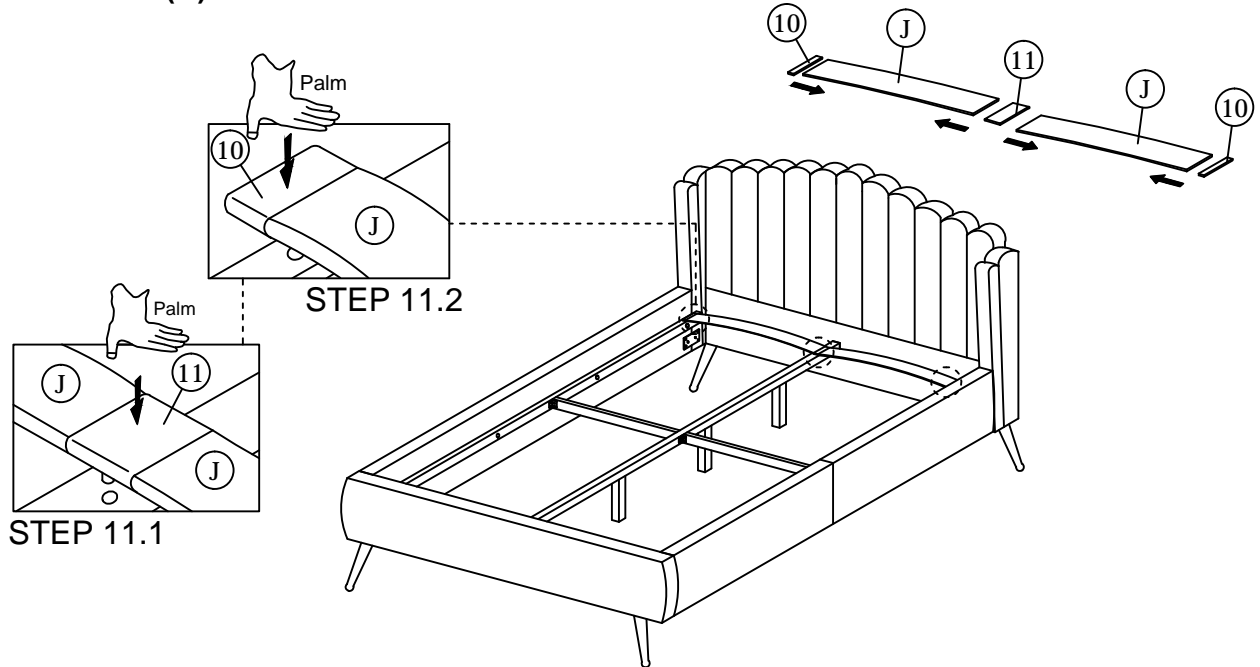
10.2 Insert and secure the **Center Support (I)** to the **Center Rail (G)** & **Side Rail (E)** using hardware parts **WOOD SCREW (4)**.



		Screw Driver
4. SCREW M3.5 x 16mm x 8pcs	5. SCREW M4 x 20mm x 2pcs	

**STEP 11**

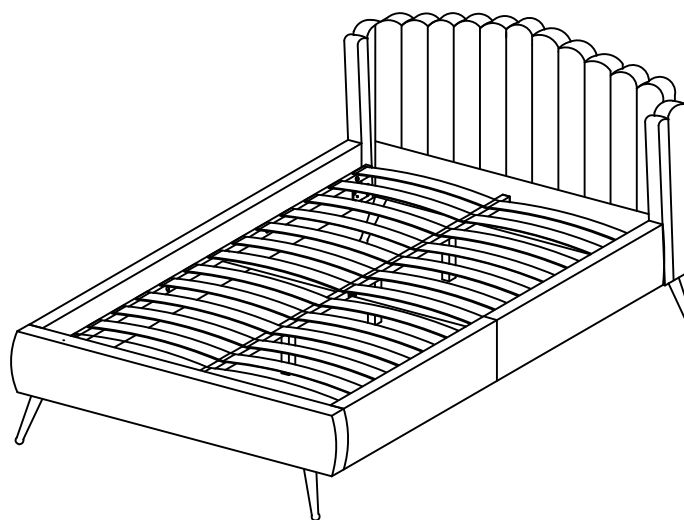
11.1 Insert the **Slat (J)** into the end **SLAT CAP (10) & (11)** and fix it to the corresponding holes on the **Side Rail (E)** .



10. BED SLAT SIDE FITTER x 26pcs	11. BED SLAT CENTER FITTER x 13pcs

**STEP 12**

12.1 Carefully position the assembled bed to the desired location by four adults.



Assembly is complete. The bed is ready to use now!

**NOTE:** Hardware may loosen over time. Periodically check that all connections are tight.