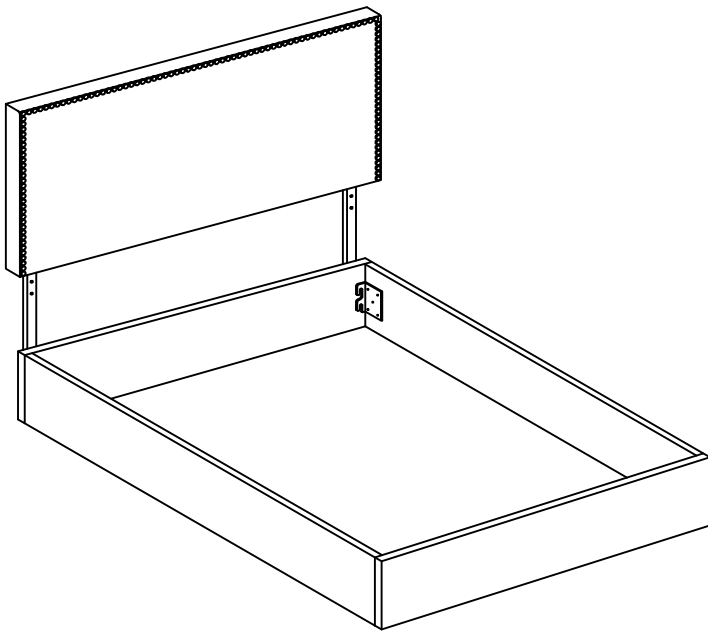


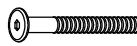

Thank you for purchasing the **MODWAY BED !**

Before you start, here is some helpful advice:






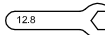
- 1.We suggest you spend a short time reading through this leaflet and then follow the simple step by step instructions.
- 2.Owing to the size and weight of the bed, we recommend that it is assembled by two adults, on a carpeted or padded area, in the room that it is intended for. Approx assembly time: 20 minutes.
- 3.Please do not use any tools other than those provided or recommended in these instructions.
- 4.Please do not throw away any of the packaging or the instruction until you have checked all the components and hardware and the furniture is fully assembled.
- 5.Assemble all components loosely until advised to tighten. Depending on use, it may be necessary to tighten the components from time to time, so please save the tools that has been provided.
- 6.Please keep all small pieces out of reach of children.



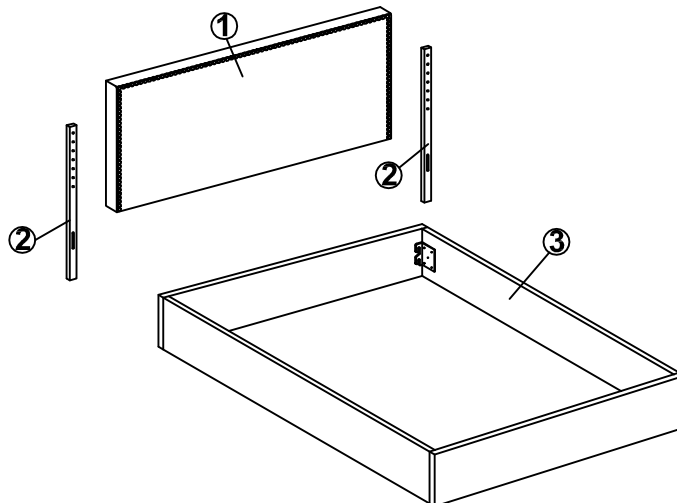
Hardware for Headboard

- | | | | |
|---|---|----------------|----|
| A |  | JCBB M8 x 45MM | x4 |
| B |  | FLAT WASHER | x4 |
| C |  | M5 ALLEN KEY | x1 |

Hardware for Metal Bed Frame

- | | | | |
|---|--|----------------|----|
| D |  | JCBB M8 x 45MM | x4 |
| E |  | JCBB M8 x 60MM | x4 |
| F |  | FLAT WASHER | x8 |
| G |  | SPRING WASHER | x4 |
| H |  | HEX NUT 5/16" | x4 |
| I |  | SPANNER | x1 |

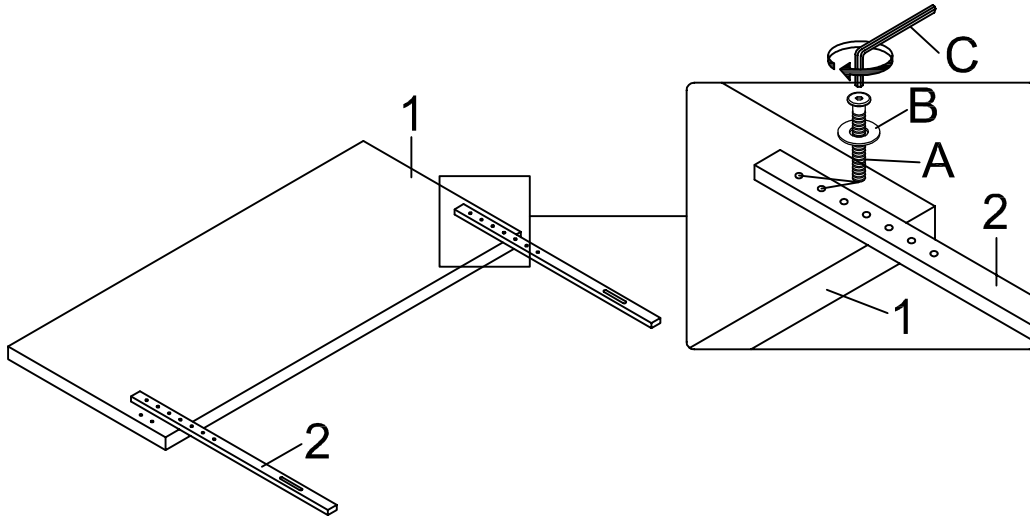
Component :



- 1- HEADBOARD 3- BED FRAME
2- LEGS

STEP 1:

Place **Headboard (1)** and **Leg (2)** on a carpeted or padded area as shown. Attach **Legs (2)** into **Headboard (1)** by inserting **Flat Washer (B)** and **JCBB 45mm Bolt (A)** into the holes on the back of **Leg (2)** and **Headboard (1)**. Tighten with **Allen Wrench (C)**.

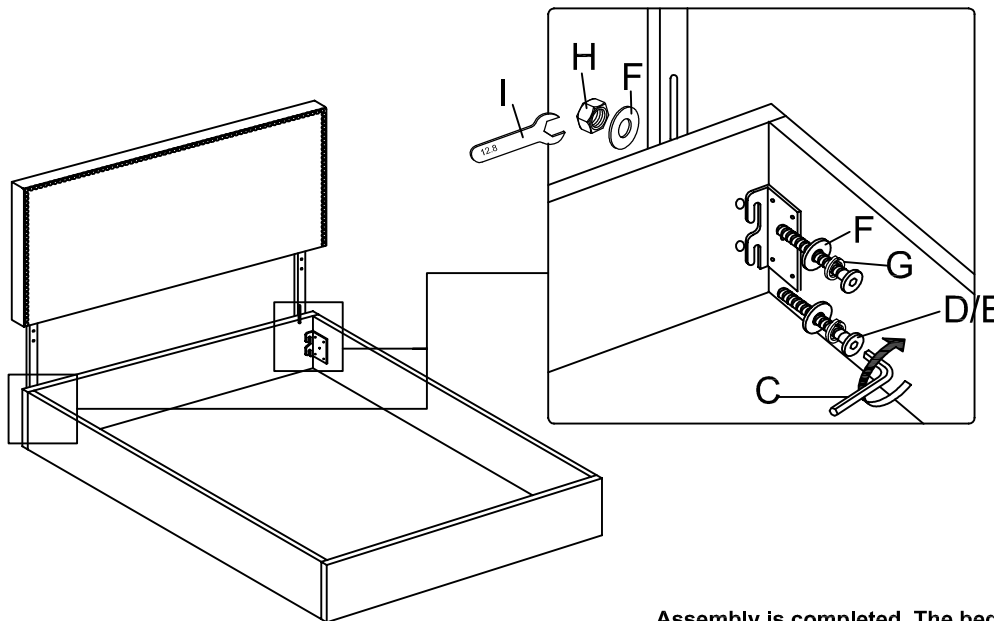


Ax4	Bx4	Cx1

Hardware & Tool required

STEP 2:

1. Line up the bed frame board's pre-drilled holes to match those of the headboard.
2. Secure the headboard to the bed frame by using **JCBB bolt 60mm (E)** for the thicker bed frame, and **JCBB bolt 45mm (D)** for the thinner bed frame. Before inserting each bolt, place **Spring washer (G)** and **Flat washer (F)** on each bolt. Then fit a **Flat washer (F)** on the screw as it protrudes through the other side of the bed frame.
3. Place a **Hex nut (H)** after the **Flat washer (F)** at the end of each screw. Then tighten by using the **M5 Allen key (C)** and hold the **Hex nut (H)** by using **Spanner (I)**.
- 4) Repeat the same procedure for each screw and each side of the bed frame.



Assembly is completed. The bed is ready to enjoy now!

Dx4 / Ex4	Fx8	Gx4	Hx4	Ix1	Cx1

Hardware & Tool required