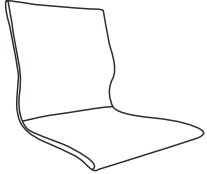
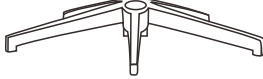
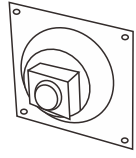

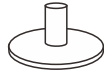




# ITEM NAME /NOM D' ITEM:GLIDER CONFERENCE CHAIR

ITEM # /NO. ITEM:100377 (BLACK/NOIR)

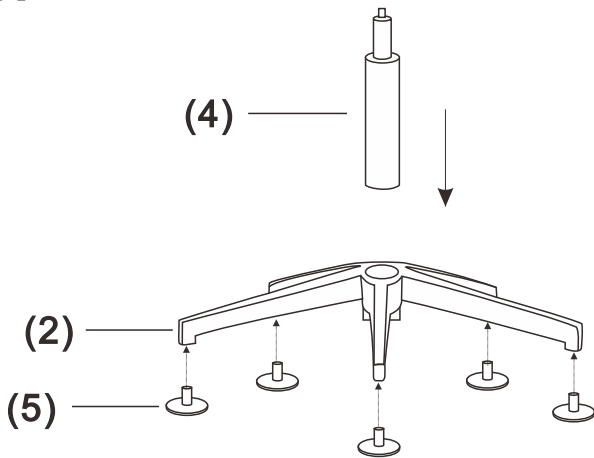
Enquiry:parts@zuomod.com

## PART LIST/Liste des pièces

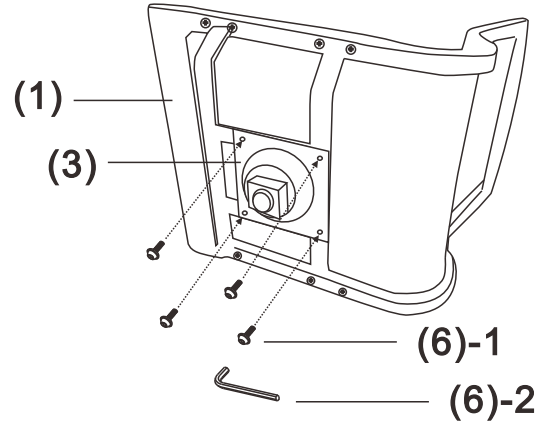
(1)	(2)	(3)
 X1	 X1	 X1
(4)	(5)	(6)
 X1	 X1	1.  X4 8*16mm 2.  X1

## INSTRUCTION

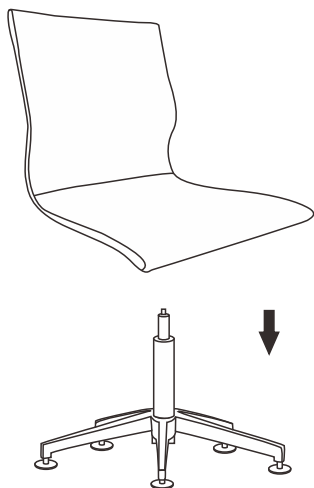
**A**



**B**



**C**



**D**

