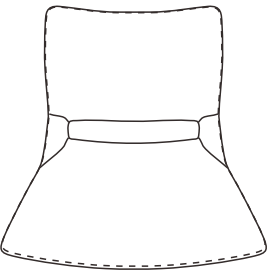
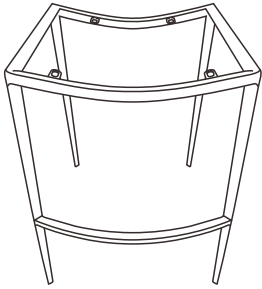





**ITEM NAME / NOM D' ITEM : ACE COUNTER CHAIR**  
**ITEM # / NO. ITEM : 101391 (BLACK & BRUSHED SS)**

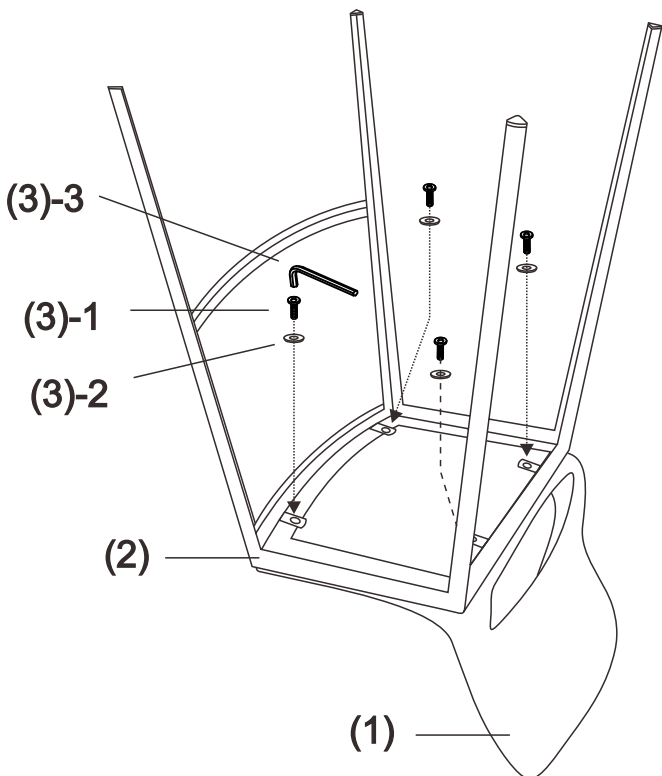
Enquiry : [parts@zuomod.com](mailto:parts@zuomod.com)

**PARTS LIST / Liste des pièces**

(1)	(2)	(3)
 <p style="text-align: right;"><b>X1</b></p>	 <p style="text-align: right;"><b>X1</b></p>	<p>1.  <b>X4</b> M6*25mm</p> <p>2.  <b>X4</b></p> <p>3.  <b>X4</b></p>

**INSTRUCTIONS**

**A**



**B**

