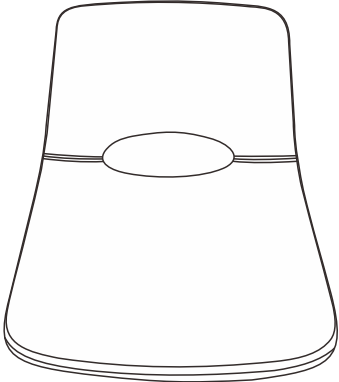
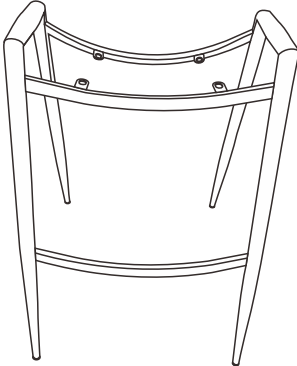











ITEM NAME /NOM D'ITEM:DESI COUNTER CHAIR

ITEM # /NO. ITEM:101692 (GRAY)

Enquiry:parts@zuomod.com

PART LIST/Liste des pièces

(1)	(2)	(3)												
		<table><tr><td data-bbox="1034 616 1066 660">1.</td><td data-bbox="1141 616 1204 660"></td><td data-bbox="1284 616 1332 660">X4</td><td data-bbox="1380 616 1540 660">M5*20mm</td></tr><tr><td data-bbox="1034 739 1066 784">2.</td><td data-bbox="1141 739 1204 784"></td><td data-bbox="1284 739 1332 784">X4</td><td></td></tr><tr><td data-bbox="1034 862 1066 907">3.</td><td data-bbox="1141 862 1204 907"></td><td data-bbox="1284 862 1332 907">X1</td><td></td></tr></table>	1.		X4	M5*20mm	2.		X4		3.		X1	
1.		X4	M5*20mm											
2.		X4												
3.		X1												

INSTRUCTION

