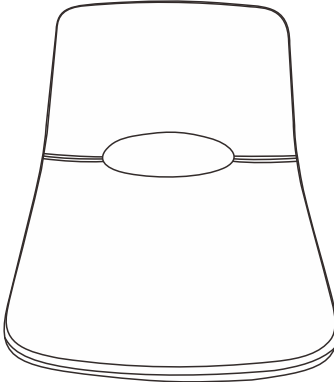
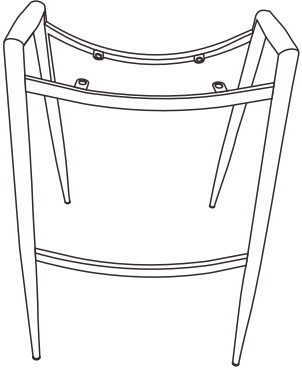











ITEM NAME /NOM D'ITEM:DESI BAR CHAIR

ITEM # /NO. ITEM:101698 (GRAY)

Enquiry:parts@zuomod.com

PART LIST/Liste des pièces

(1)	(2)	(3)												
		<table><tr><td>1.</td><td></td><td>X4</td><td>M5*20mm</td></tr><tr><td>2.</td><td></td><td>X4</td><td></td></tr><tr><td>3.</td><td></td><td>X1</td><td></td></tr></table>	1.		X4	M5*20mm	2.		X4		3.		X1	
1.		X4	M5*20mm											
2.		X4												
3.		X1												

INSTRUCTION

